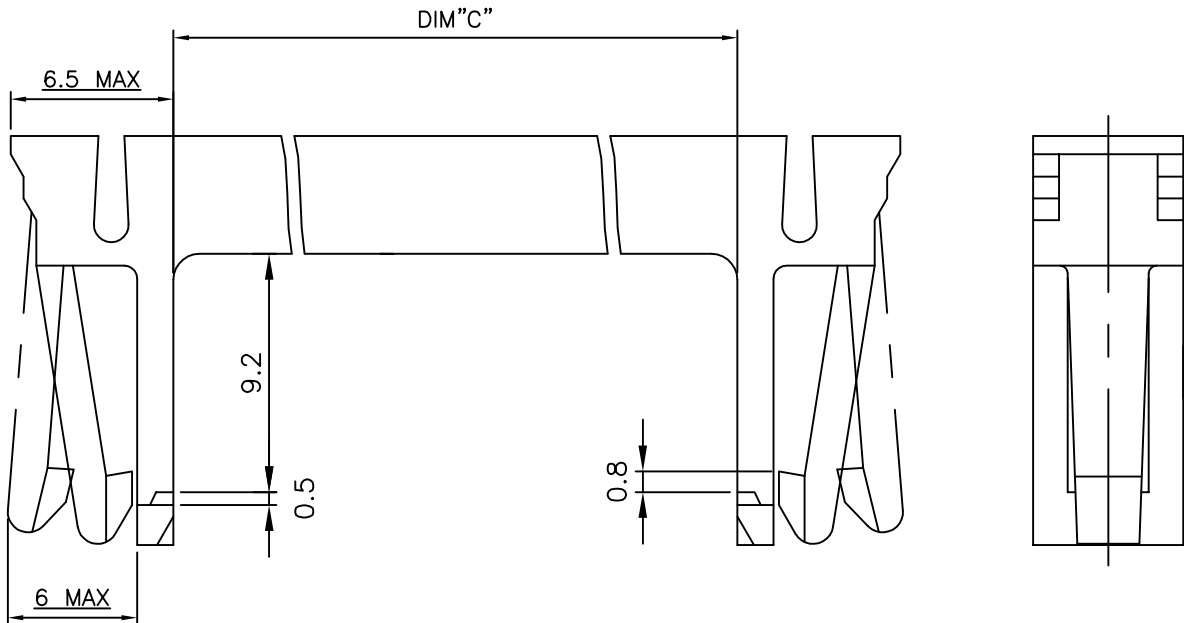
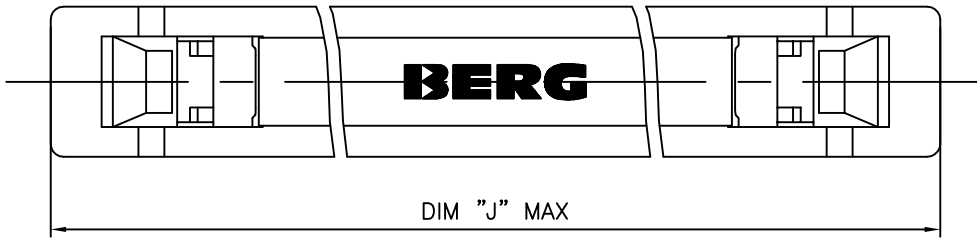


PRODUCT NUMBER
71961-0XXLF

INDICATES THE PRODUCT IS RoHS
COMPATIBLE, SEE NOTE 2

NUMBER OF POSITIONS	SIZE	DIM "C"	DIM "J" MAX
04	2x 2	6.54	20.46
06	2x 3	9.08	23.00
08	2x 4	11.62	25.54
10	2x 5	14.16	28.08
14	2x 7	19.24	33.16
16	2x 8	21.78	35.70
18	2x 9	24.32	38.24
20	2x10	26.86	40.78
26	2x13	34.48	48.40
30	2x15	39.56	53.48
34	2x17	44.64	58.56
40	2x20	52.26	66.18
44	2x22	57.34	71.26
50	2x25	64.96	78.88
60	2x30	77.66	91.58
64	2x32	82.74	96.66



NOTES:

1. MOLDING MATERIAL UNFILLED POLYESTER
FLAME RETARDANT PER UL-94-V0
COLOR GREY
2. RoHS COMPATIBLE PRODUCT
 - a - LABELLING:
 - MEETS PACKAGING SPECS AS PER GS-14-920
 - b - LEGAL STATEMENT: SEE GS-22-008
 - c - THE PRODUCT IS NOT INTENDED TO BE EXPOSED
TO MANUFACTURING SOLDER PROCESS
 - d - PRODUCT MEETS WITH EU 2002/EG/95

mat'l. code SEE NOTE 1		surface ISO 1302	tolerance ISO 406 ISO 1101	projection mm	product family EURO QKIE FEM
ltr	ecn no	dr	date	tolerances unless otherwise specified	title
E	F20358	GQU	02.06.19	angles .X ±0.3	STRAIN RELIEF LATCHING
F	F05-0255	LMU	05.10.11	linear .XX ±0.15	
G	F06-0270	LMU	06.09.12	.XXX ±0.05	scale N/A
H	F06-0274	LMU	06.09.25	dr L.MULIN 05.10.11	sheet 1 of 1 size
				engr J.COMPAGNON 05.10.11	71961 A3
				chr	type
				appd J.M.C 05.10.11	CUSTOMER Drawing
sheet index	revision sheet				

X-ON Electronics

Largest Supplier of Electrical and Electronic Components

Click to view similar products for [Headers & Wire Housings](#) category:

Click to view products by [Amphenol](#) manufacturer:

Other Similar products are found below :

[892-18-020-10-001101](#) [58102-G61-06LF](#) [582553-1](#) [0009485154](#) [009176003701906](#) [0050291907](#) [LY20-4P-DT1-P1E-BR](#) [02.125.8002.8](#)
[609-3404](#) [61062-3](#) [622-0430](#) [622-3653LF](#) [63453-116](#) [636-1030](#) [636-1427](#) [636-3427](#) [636-4007](#) [641938-9](#) [641991-4](#) [644827-2](#) [65817-010LF](#)
[65817-015LF](#) [65863-015LF](#) [66207-023LF](#) [67095-007LF](#) [67601157](#) [68648-049](#) [70.362.1628.0](#) [70-4210](#) [70-4226B](#) [70-4853B](#) [707-5020](#) [707-](#)
[5028](#) [71.350.2428.0](#) [71918-208LF](#) [71961-016LF](#) [733-134](#) [733-162](#) [754199-000](#) [760-3052](#) [787-8014-00](#) [79531-3000](#) [FCN-360C032-B](#) [FCN-](#)
[367T-T012/H](#) [FCN-723D010/2](#) [80.063.4001.1](#) [800-90-001-10-001000](#) [800-90-010-10-002000](#) [801-43-002-10-013000](#) [801-43-006-10-002000](#)