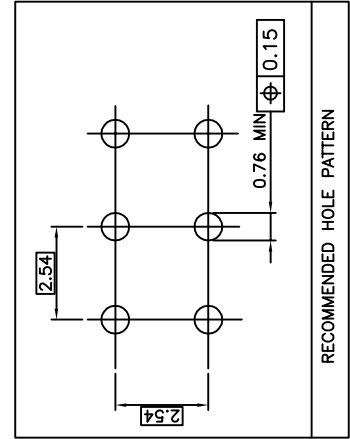
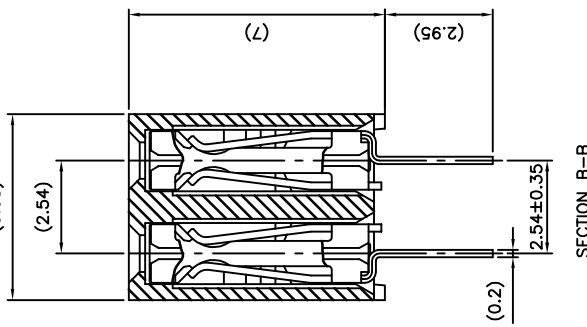
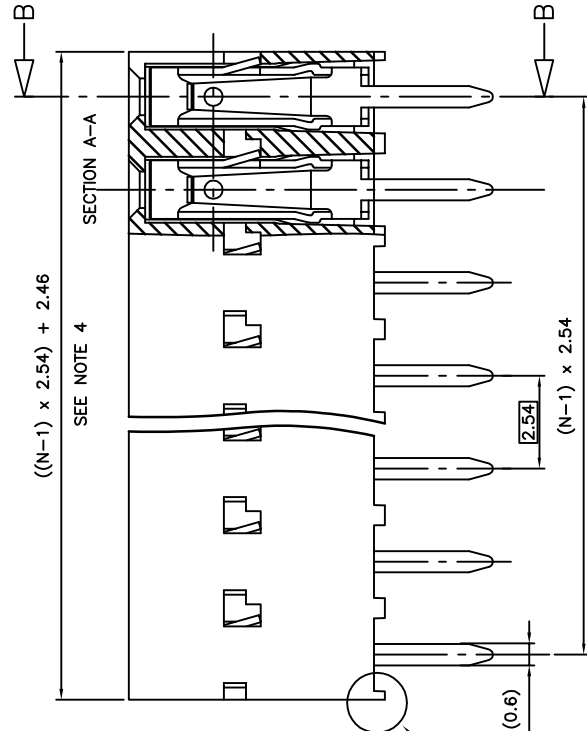
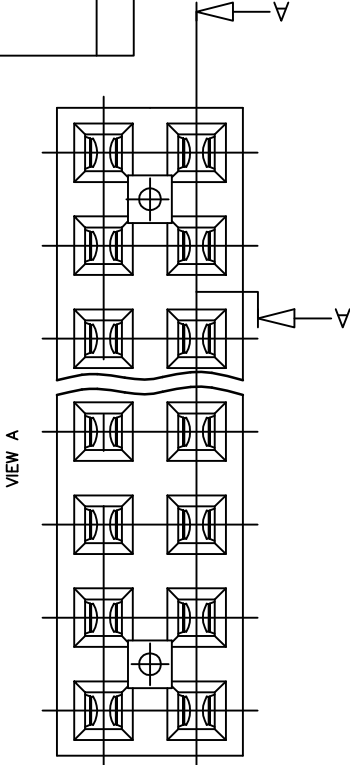


CONTACT PLACED IN CAVITY (TABLE ACCORDING VIEW A)

PRODUCT NUMBER	HOUSING NB OF POS	1	2	3	4	5	6	7	8	9	10	11	12	13	14	15	16	17	18	19	20	21	22	23	24	25	26	27	28	29	30	31	32
71966-Y01(LF)	2 X 32	X	X	X	X	X	X	X	X	X	X	X	X	X	X	X	X	X	X	X	X	X	X	X	X	X	X	X	X	X	X	X	X
71966-Y02(LF)	2 X 12	X	X	X	X	X	X	X	X	X	X	X	X	X	X	X	X	X	X	X	X	X	X	X	X	X	X	X	X	X	X	X	
71966-Y03(LF)	2 X 17	X	X	X	X	X	X	X	X	X	X	X	X	X	X	X	X	X	X	X	X	X	X	X	X	X	X	X	X	X	X	X	
71966-Y04(LF)	2 X 17	X	X	X	X	X	X	X	X	X	X	X	X	X	X	X	X	X	X	X	X	X	X	X	X	X	X	X	X	X	X	X	
71966-Y05(LF)	2 X 17	X	X	X	X	X	X	X	X	X	X	X	X	X	X	X	X	X	X	X	X	X	X	X	X	X	X	X	X	X	X	X	
71966-Y06(LF)	2 X 14	X	X	X	X	X	X	X	X	X	X	X	X	X	X	X	X	X	X	X	X	X	X	X	X	X	X	X	X	X	X	X	
71966-Y07(LF)	2 X 18	X	X	X	X	X	X	X	X	X	X	X	X	X	X	X	X	X	X	X	X	X	X	X	X	X	X	X	X	X	X	X	
71966-Y08(LF)	2 X 18	X	X	X	X	X	X	X	X	X	X	X	X	X	X	X	X	X	X	X	X	X	X	X	X	X	X	X	X	X	X	X	
71966-Y09(LF)	2 X 19	X	X	X	X	X	X	X	X	X	X	X	X	X	X	X	X	X	X	X	X	X	X	X	X	X	X	X	X	X	X	X	
71966-Y10(LF)	2 X 05	X	X	X	X	X	X	X	X	X	X	X	X	X	X	X	X	X	X	X	X	X	X	X	X	X	X	X	X	X	X	X	



NOTES:

- NOTES :
- 1 - MATERIAL HOUSING: THERMOPLASTIC POLYESTER 30% GLASS FILLED COLOUR BLUE. FLAME RETARDANT PER UL-94 CATEGORY V0.
 - 2 - MATERIAL TERMINAL: PHOSPHOR BRONZE EXTRA HARD.
 - 3 - PRODUCT PACKAGED IN TUBES
 - 4 - TO DETERMINE DIMENSIONS : N = NUMBER OF POSITIONS PER ROW
EXAMPLE : 8 POS N x 2.54 = 20.32mm
 - 5 - RoHS COMPATIBLE PRODUCT SPECIFICATIONS
 - a - PLATING:
 - "LF" MEANS THE PRODUCT IS LEAD-FREE, 2µm MINIMUM MATTE TIN OVER 1.27µm MINIMUM NICKEL UNDERPLATE.
 - b - MANUFACTURING PROCESS COMPATIBILITY
 - THE HOUSING WILL WITHSTAND EXPOSURE TO 260°C ±5°C SOLDER BATH TEMPERATURE FOR 5 SECONDS IN A WAVE SOLDER APPLICATION WITH A 1.6mm MIN THICK CIRCUIT BOARD.
 - c - LABELING:
 - MEETS PACKAGING SPECS AS PER GS-14-920
 - LEGAL STATEMENT: SEE GS-22-008
 - d - END STAND-OFFS FOR 2x4 UP TO 2x5 POS
NO END STAND-OFFS FOR 2x6 UP TO 2x50 POS

71966-4XXLF	5µm SnPb	Sn
71966-3XXLF	0.76 µm GOLD	Sn
71966-4XX	5µm SnPb	SnPb
71966-3XX	0.76 µm GOLD	SnPb
PLATING CODE	CONTACT AREA	SOLDER TAIL
	PLATING THICKNESS OVER 1.27µm Ni	

mat'l. code	surface	Tolerance	projection	product family
SEE NOTES	ISO 1902	ISO 146 ISO 111	mm	DX VCC DR
itr	ec'n no	date	tolerance unless otherwise specified	file
J	F11-0076	LMJU11.06.10	mm	TOP ENTRY
K	F12-0016	APA12.02.01	mm	SELECTED LOADED
L	B-17195	LMJU14.03.11	scale 10:1	sheet 1 of 1 size
M	B17352	LMJU14.03.31	linear	71966
P	P-NIZZI	P-NIZZI	mm	customer
Q	ENTG	LM.PHAMVAN	mm	
G	F07-027	LMJU07.12.06	mm	
H	F10-0033	LMJU10.07.05	mm	
sheet	revision	approval	date	
index	sheet	index	date	

X-ON Electronics

Largest Supplier of Electrical and Electronic Components

Click to view similar products for [Headers & Wire Housings](#) category:

Click to view products by [Amphenol](#) manufacturer:

Other Similar products are found below :

[892-18-020-10-001101](#) [58102-G61-06LF](#) [582553-1](#) [0009485154](#) [009176003701906](#) [0050291907](#) [LY20-4P-DT1-P1E-BR](#) [02.125.8002.8](#)
[609-3404](#) [61062-3](#) [622-0430](#) [622-3653LF](#) [63453-116](#) [636-1030](#) [636-1427](#) [636-3427](#) [636-4007](#) [641938-9](#) [641991-4](#) [644827-2](#) [65817-010LF](#)
[65817-015LF](#) [65863-015LF](#) [66207-023LF](#) [67095-007LF](#) [67601157](#) [68648-049](#) [70.362.1628.0](#) [70-4210](#) [70-4226B](#) [70-4853B](#) [707-5020](#) [707-](#)
[5028](#) [71.350.2428.0](#) [71918-208LF](#) [71961-016LF](#) [733-134](#) [733-162](#) [754199-000](#) [760-3052](#) [787-8014-00](#) [79531-3000](#) [FCN-360C032-B](#) [FCN-](#)
[367T-T012/H](#) [FCN-723D010/2](#) [80.063.4001.1](#) [800-90-001-10-001000](#) [800-90-010-10-002000](#) [801-43-002-10-013000](#) [801-43-006-10-002000](#)