

PRODUCT NUMBER

71979-YXXLF

RoHS COMPATIBLE, SEE NOTE 7

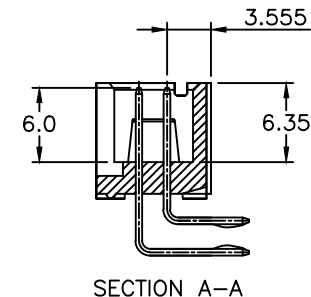
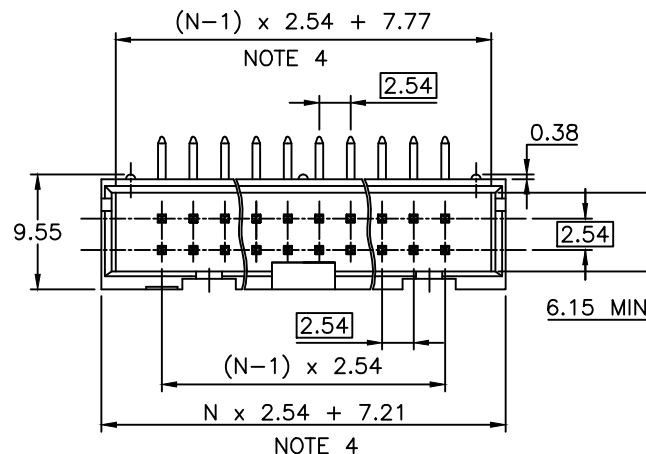
PLATING

2 = 0.76µm GOLD/GXT,
(PdNi WITH GOLD FLASH) ON CONTACT AREA
2µm MIN MATTE TIN

3 = 2µm TIN MIN FULL PLATED

UNDERPLATE : 1.27µm Ni MIN

TOTAL NUMBER OF POSITIONS	
06	26
08	34
10	40
14	44
16	50
18	60
20	64



NOTES:

- HOUSING MAT'L : GLASS FILLED THERMOPLASTIC. UL94V-0 COLOR: BLUE
- PIN MATERIAL : PHOSPHOR BRONZE
- PRODUCT PACKAGED IN TUBES.
- TO DETERMINE DIMENSIONS :
N = NUMBER OF POSITIONS PER ROW
EXAMPLE : 8 POS N x 2.54 = 20.32mm
- NO LEFT POLARIZATION FOR POS 04, 06, 08, 14.
NO RIGHT POLARIZATION FOR POS 04, 06, 08.
- RETENTION LEGS IN THE CENTER OF THE CONNECTOR.
- RoHS COMPATIBLE PRODUCT SPECIFICATIONS

a - PLATING:

- "LF" MEANS THE PRODUCT IS LEAD-FREE,
2µm MINIMUM MATTE TIN OVER 1.27µm
MINIMUM NICKEL UNDERPLATE.

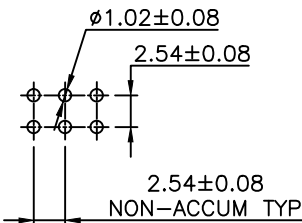
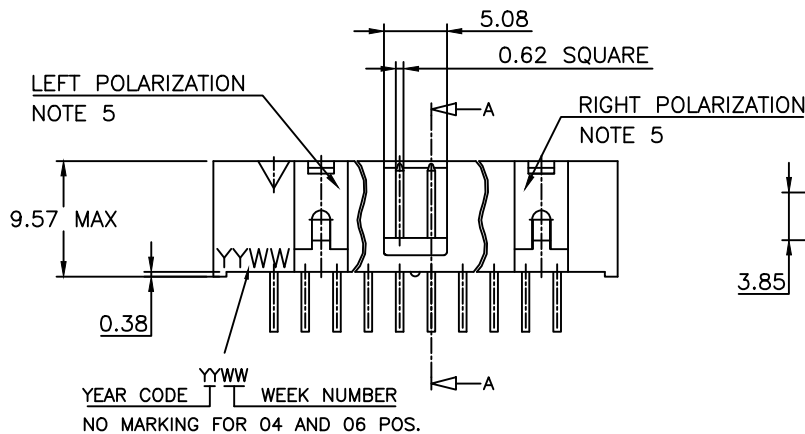
b - MANUFACTURING PROCESS COMPATIBILITY

- THE HOUSING WILL WITHSTAND EXPOSURE TO
260°C ±5°C SOLDER BATH TEMPERATURE FOR
5 SECONDS IN A WAVE SOLDER APPLICATION
WITH A 1.6mm MIN THICK CIRCUIT BOARD.

c - LABELLING:

- MEETS PACKAGING SPECS AS PER GS-14-920

d - LEGAL STATEMENT: SEE GS-47-0004



mat'l. code		surface		tolerance		projection	product family	
SEE NOTES		ISO 1302		ISO 406 ISO 1101		mm	QUICKIE	
		tolerances unless otherwise specified					title	
J	F80621	PNZ	98.09.03	angles	linear	scale 1:1	SHR.LP.HEADER	
K	F04-0388	LMU	04.12.22				RA.RETENTION LEGS	
L	F06-0229	LMU	06.07.18				dwg no	
M	F06-0314	LMU	06.11.02	dr	L.MULIN		sheet 1 of 1 size	
N	F07-0198	LMU	07.05.30	engr	J.COMPAGNON		71979 A3	
P	F08-0148	YOV	08.04.14	chr	JCO		type	
R	B-19091	LMU	14.10.16	appd	JCO		CUSTOMER Drawing	
sheet	revision							
index	sheet							

X-ON Electronics

Largest Supplier of Electrical and Electronic Components

Click to view similar products for [Headers & Wire Housings](#) category:

Click to view products by [Amphenol](#) manufacturer:

Other Similar products are found below :

[892-18-020-10-001101](#) [58102-G61-06LF](#) [582553-1](#) [0009485154](#) [009176003701906](#) [0050291907](#) [LY20-4P-DT1-P1E-BR](#) [02.125.8002.8](#)
[609-3404](#) [61062-3](#) [622-0430](#) [622-3653LF](#) [63453-116](#) [636-1030](#) [636-1427](#) [636-3427](#) [636-4007](#) [641938-9](#) [641991-4](#) [644827-2](#) [65817-010LF](#)
[65817-015LF](#) [65863-015LF](#) [66207-023LF](#) [67095-007LF](#) [67601157](#) [68648-049](#) [70.362.1628.0](#) [70-4210](#) [70-4226B](#) [70-4853B](#) [707-5020](#) [707-5028](#) [71.350.2428.0](#) [71918-208LF](#) [71961-016LF](#) [733-134](#) [733-162](#) [754199-000](#) [760-3052](#) [787-8014-00](#) [79531-3000](#) [FCN-360C032-B](#) [FCN-367T-T012/H](#) [FCN-723D010/2](#) [80.063.4001.1](#) [800-90-001-10-001000](#) [800-90-010-10-002000](#) [801-43-002-10-013000](#) [801-43-006-10-002000](#)