

71980-YXXLF

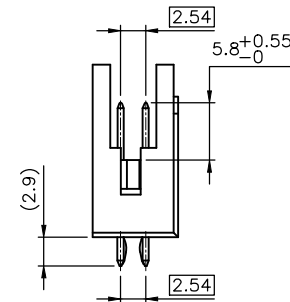
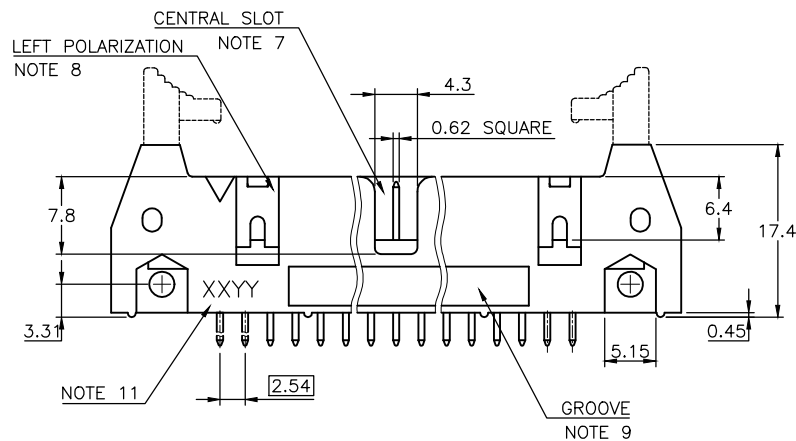
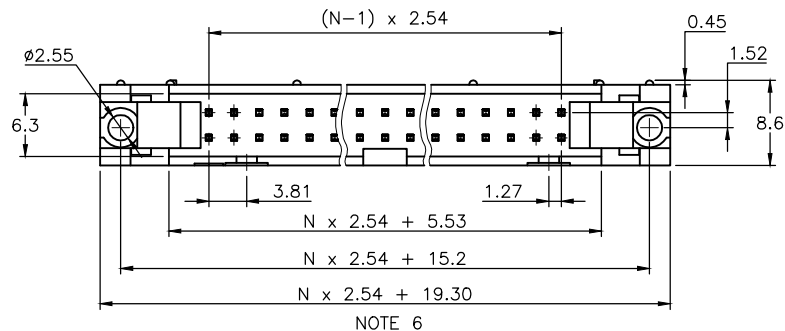
RoHS COMPATIBLE, SEE NOTE 12
 TOTAL NUMBER OF POSITIONS SEE SHEET 2

LATCHING

- 0= WITHOUT LATCH
- 1= STANDARD LATCH
- 2= LOW PROFILE LATCH

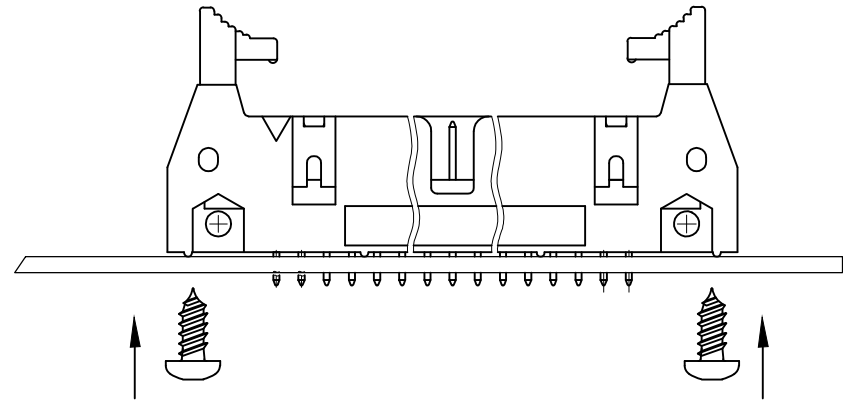
NOTES:

- 1 - HOUSING MAT'L : GLASS FILLED THERMOPLASTIC. UL94V-0 COLOR: BLUE
- 2 - PIN MATERIAL : PHOSPHOR BRONZE
- 3 - 0.76µm GOLD/GXT (PdNi WITH GOLD FLASH) ON CONTACT AREA
2µm MIN MATTE TIN ON TAIL.
UNDERPLATE : 1.27µm Ni MIN
- 4 - PRODUCT PACKAGED IN TUBES
- 5 - 40N MIN LATCH RETENTION FORCE AT FIRST EXTRACTION
- 6 - TO DETERMINE DIMENSIONS :
N = NUMBER OF POSITIONS PER ROW
EXAMPLE : 8 POS N x 2.54 = 20.32mm
- 7 - NO CENTRAL SLOT ON POSITIONS 6 & 8
- 8 - NO LEFT POLARIZATION ON POSITIONS 06, 08, 10, 14.
- 9 - NO GROOVE ON POSITIONS 06, 08, 10, 14, 30, 34
- 10 - RETENTION LEGS LOCATED IN THE CENTER OF THE CONNECTOR
- 11 - MARKING : XX = YEAR CODE
YY = WEEK NUMBER
- 12 - RoHS COMPATIBLE PRODUCT SPECIFICATIONS
 - a - PLATING:
 - "LF" MEANS THE PRODUCT IS LEAD-FREE,
2µm MINIMUM MATTE TIN OVER 1.27µm
MINIMUM NICKEL UNDERPLATE.
 - b - MANUFACTURING PROCESS COMPATIBILITY
 - THE HOUSING WILL WITHSTAND EXPOSURE TO
260°C ±5°C SOLDER BATH TEMPERATURE FOR
5 SECONDS IN A WAVE SOLDER APPLICATION
WITH A 1.6mm MIN THICK CIRCUIT BOARD.
 - c - LABELING:
 - MEETS PACKAGING SPECS AS PER GS-14-920
 - d - LEGAL STATEMENT: SEE GS-47-0004



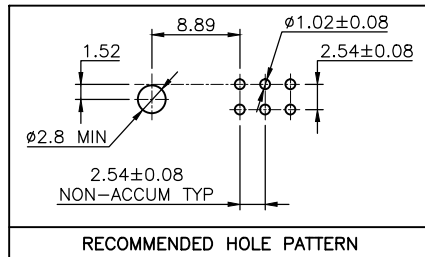
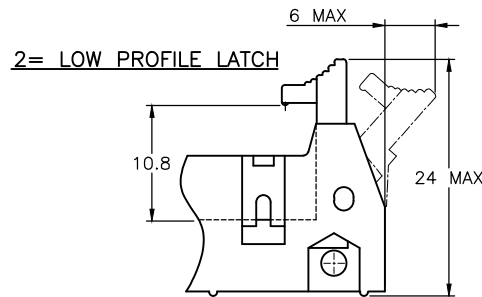
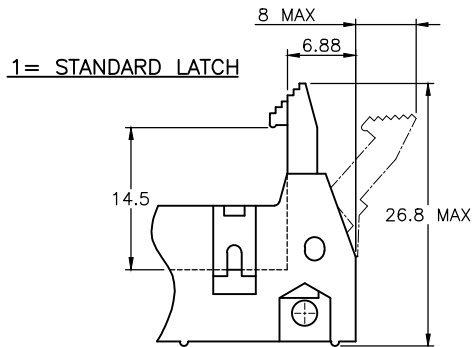
mat'l. code		surface		tolerance		projection		product family	
SEE NOTES		ISO 1302		ISO 406 ISO 1101		mm		QUICKIE	
ltr	ecr no	dr	date	tolerances unless otherwise specified		mm		title	
J	B-20413	BVE	15.03.10	.X ±0.3		mm		SHR.EL.HEADER	
				.XX ±0.13		mm		STR, RETENTION LEGS	
				.XXX ±0.05		scale 2:1		dwg no	
D	F06-0229	LMU	06.07.18	dr	B.VERNIER	15.03.10		sheet 1 of - size	
E	F07-0195	LMU	07.05.25	engr	L.MULIN	15.03.10		71980	
F	F08-0146	YOY	08.04.11	chr	JCO	15.03.10		A3	
G	B-16860	LMU	14.01.27	appd	JCO	15.03.10		type	
H	B-19094	LMU	14.10.16					CUSTOMER Drawing	
sheet	revision	J	A						
index	sheet	1	2						

TOTAL NUMBER OF POSITIONS	
06	26
08	34
10	40
14	44
16	50
18	60
20	64



WHEN THE CONNECTORS NEED TO BE FIXED ON THE PCB'S
THE STAINLESS SCREWS REF TC POZI DIN7981 Ø2.9 X 6.5MM
TO BE USED

LATCHING FEATURES :



mat'l. code		surface		tolerance		projection		product family	
SEE NOTES		ISO 1302 ✓		ISO 406 ISO 1101				QUICKIE	
ltr	ecn no	dr	date	tolerances unless otherwise specified		mm		title	
A	B-20413	BVE	15.03.10	angles	linear	.X ±0.3		SHR.EL.HEADER	
						.XX ±0.13		STR, RETENTION LEGS	
						.XXX ±0.05		scale 2:1	
		dr	B.VERNIER	15.03.10				dwg no	
		enr	L.MULIN	15.03.10				sheet 2 of	
		chr	JCO	15.03.10				71980	
		appd	JCO	15.03.10				size	
								A3	
sheet index		revision sheet						type	
								CUSTOMER Drawing	

X-ON Electronics

Largest Supplier of Electrical and Electronic Components

Click to view similar products for [Headers & Wire Housings](#) category:

Click to view products by [Amphenol](#) manufacturer:

Other Similar products are found below :

[892-18-020-10-001101](#) [58102-G61-06LF](#) [582553-1](#) [0009485154](#) [009176003701906](#) [0050291907](#) [LY20-4P-DT1-P1E-BR](#) [02.125.8002.8](#)
[609-3404](#) [61062-3](#) [622-0430](#) [622-3653LF](#) [63453-116](#) [636-1030](#) [636-1427](#) [636-3427](#) [636-4007](#) [641938-9](#) [641991-4](#) [644827-2](#) [65817-010LF](#)
[65817-015LF](#) [65863-015LF](#) [66207-023LF](#) [67095-007LF](#) [67601157](#) [68648-049](#) [70.362.1628.0](#) [70-4210](#) [70-4226B](#) [70-4853B](#) [707-5020](#) [707-](#)
[5028](#) [71.350.2428.0](#) [71918-208LF](#) [71961-016LF](#) [733-134](#) [733-162](#) [754199-000](#) [760-3052](#) [787-8014-00](#) [79531-3000](#) [FCN-360C032-B](#) [FCN-](#)
[367T-T012/H](#) [FCN-723D010/2](#) [80.063.4001.1](#) [800-90-001-10-001000](#) [800-90-010-10-002000](#) [801-43-002-10-013000](#) [801-43-006-10-002000](#)