

DESCRIPTION: ABOVE AND BELOW P.C.B., DECK IS AS VIEWED BY USER.

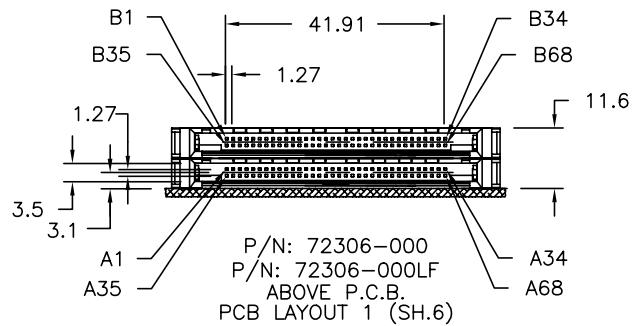
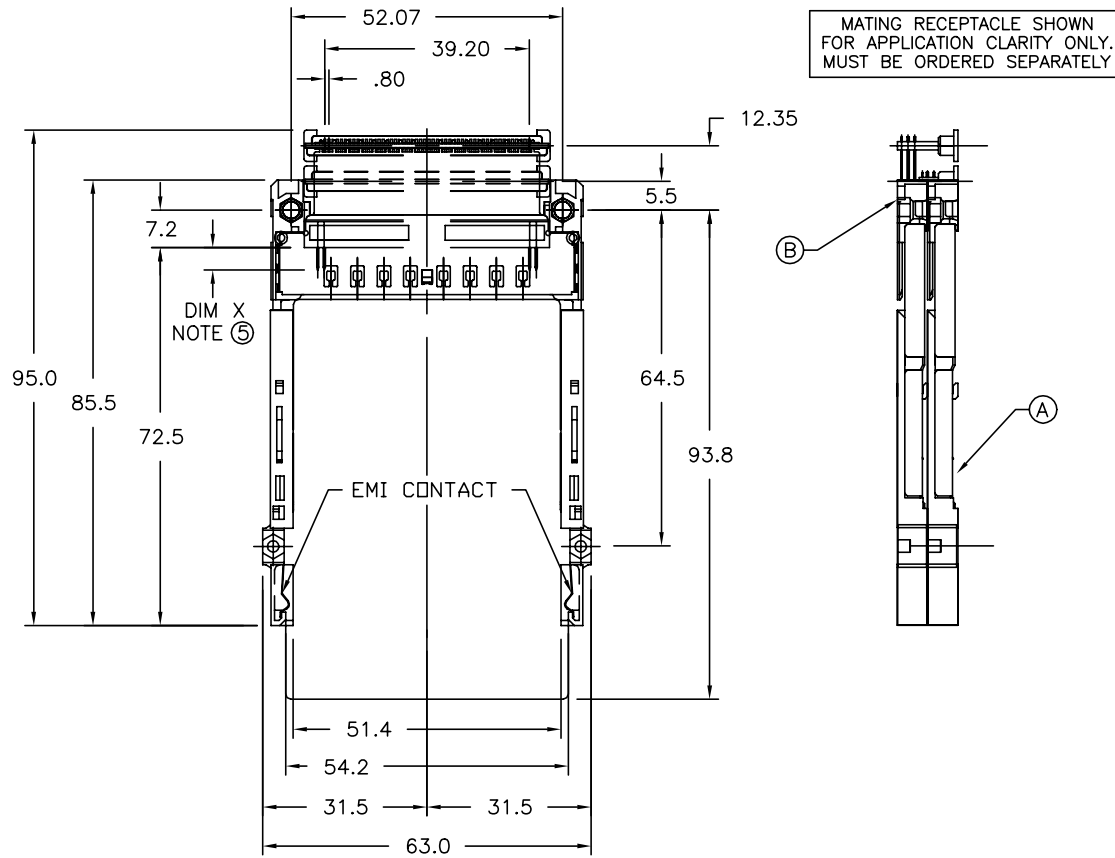
PRODUCT NO. 72306-XXX	STAND-OFF HEIGHT DIM L	Ⓐ CLOSEST TO P.C.B. HEADER ASSY 72305-XXX	Ⓑ FARTHEST FROM P.C.B. HEADER ASSY 72305-XXX	Ⓒ MATING RECEPTACLE	MOUNTING STYLE TO PCB
000	0.0	000	005	100 POSITION (2x50) 0.8mm RECEPTACLE PART NO. 73277-101000 ORDER SEPARATELY	
020	2.2	020	025		
040	4.3	040	045		
050	5.0	050	055		
520	2.2	520	525		
540	4.3	540	545		
550	5.0	550	555		
000LF	0.0	000LF	005LF	100 POSITION (2x50) 0.8mm RECEPTACLE PART NO. 73277-101000LF ORDER SEPARATELY	
020LF	2.2	020LF	025LF		
040LF	4.3	040LF	045LF		
050LF	5.0	050LF	055LF		
520LF	2.2	520LF	525LF		
540LF	4.3	540LF	545LF		
550LF	5.0	550LF	555LF		

NOTE:
1. SEE 72305 FOR SINGLE DECK APPLICATIONS

ORDERING INFORMATION
ORDER:
1. Ⓐ DECK CLOSEST TO P.C.B.
2. Ⓑ DECK FARTHEST FROM P.C.B.
3. Ⓒ 2 EACH MATING RECEPTACLES

mat'l. code		surface ISO1302 ✓		tolerance ISO1101 ISO406		projection		product family MCS	
l	tr	ec	n	no	dr	date	angle	tolerances unless otherwise specified	title
D	V02257	TFG	11/3/00				0.X±0.3	MM	CARDBUS DOUBLE DECK ASS'Y SMT TYPE 123
E	N05-0165	WB	06/15/06				0.XX±0.13	scale 1:1	
F	BLX-N-011410	ZK	04/02/12	0'±2'			0.XXX±0.051		
				dr	R.GRAPE	9/9/96			dwg no 72306 sheet 1 of 9 size A4
				enr	D.BRANN	9/9/96			
				chr	D.BRANN	9/9/96			
				appd	D.BRANN	9/9/96			
sheet	revision	F	F	F	F	F	F	F	type Product Customer Drawing
index	sheet	1	2	3	4	5	6	7	

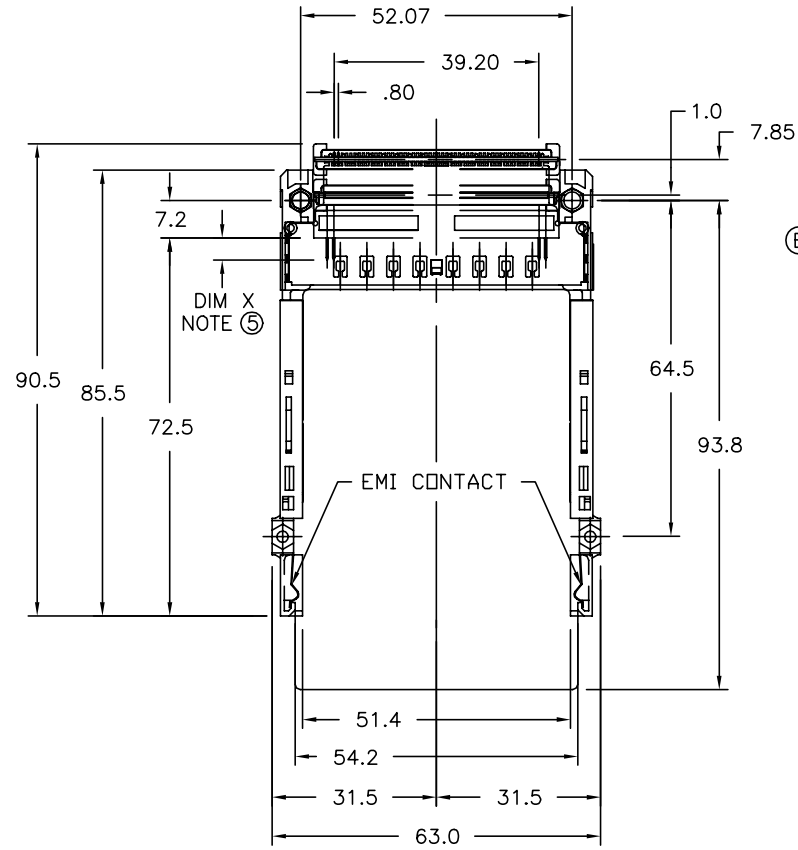
PRODUCT NUMBER
72306-***/**LF



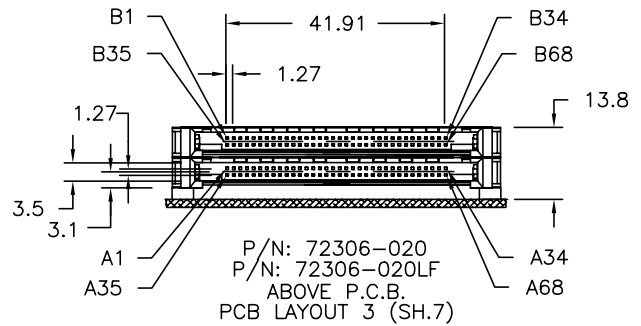
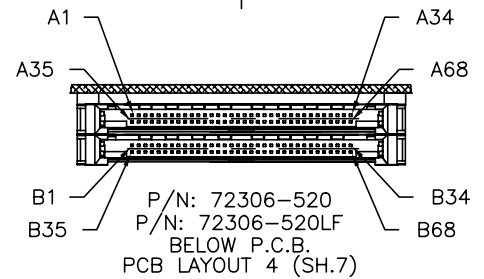
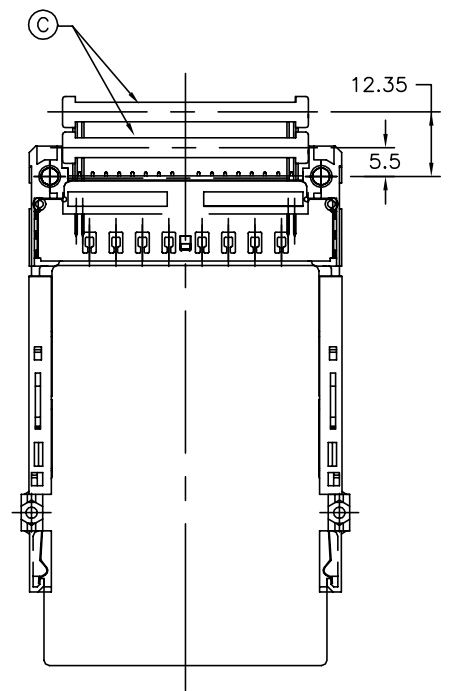
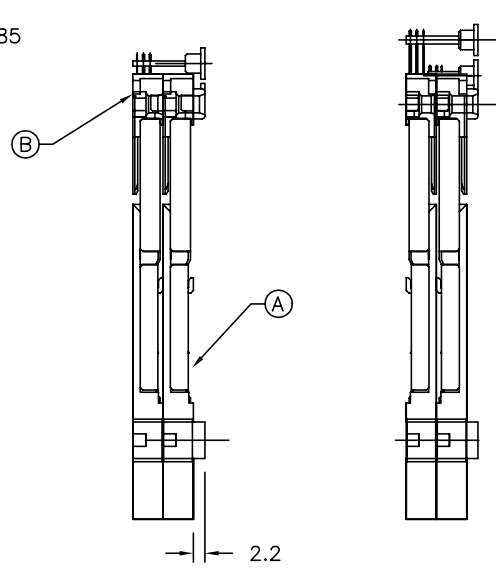
mat'l. code	surface ISO1302 ✓	tolerance ISO1101 ISO406	projection 	product family MCS
ltr ecn nodr date	tolerances unless otherwise specified		MM	title CARDBUS DOUBLE DECK ASS'Y SMT TYPE 123
F	angle 0°±2'	0.X±0.3 0.XX±0.13 0.XXX±0.051	scale 1:1	dwg no 72306
	dr R.GRAPE	9/9/96		sheet 2 of 9
	enr D.BRANN	9/9/96		size A4
	chr D.BRANN	9/9/96		type Product Customer Drawing
	appd D.BRANN	9/9/96		
sheet index	revision sheet			



PRODUCT NUMBER
72306-***/**LF

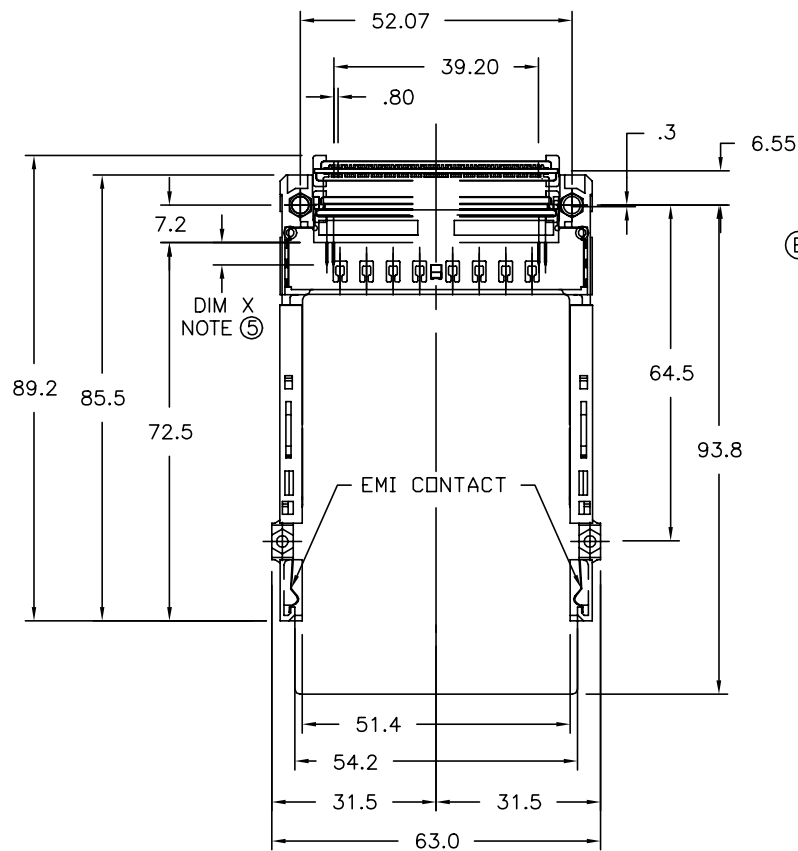


MATING RECEPTACLE SHOWN FOR APPLICATION CLARITY ONLY. MUST BE ORDERED SEPARATELY

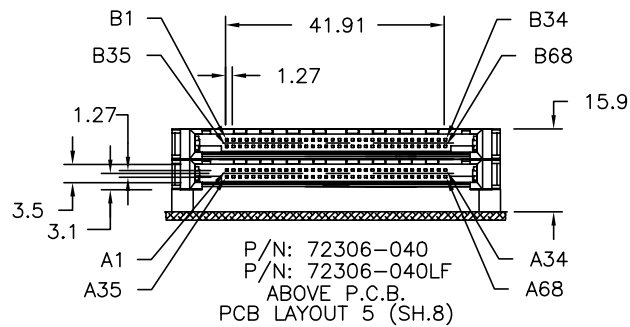
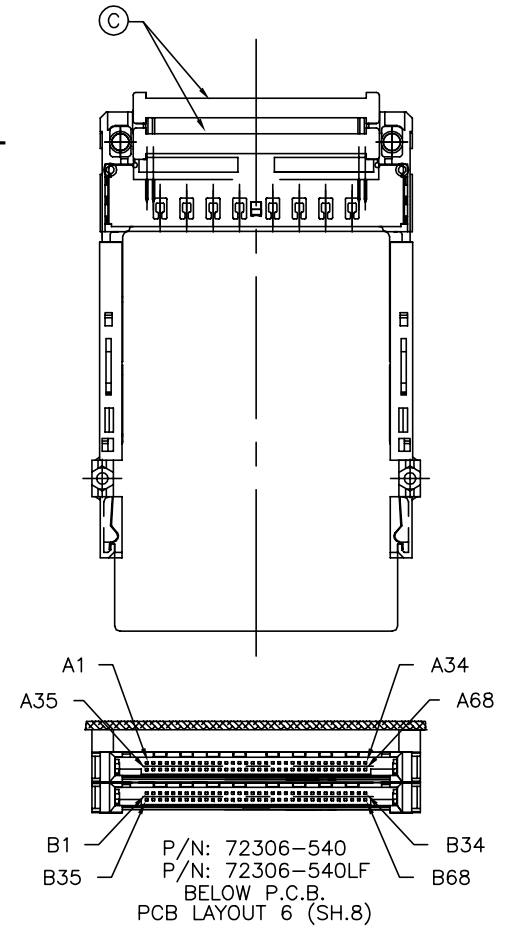
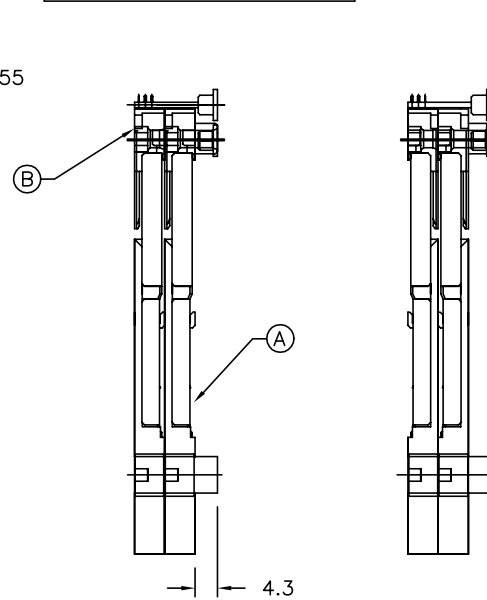


mat'l. code	surface ISO1302	tolerance ISO1101 ISO406	projection ASME Y14.5	product family MCS
ltr ecn nodr date	tolerances unless otherwise specified		MM	CARBUS DOUBLE DECK ASS'Y SMT TYPE 123
F	angle 0°±2'	0.X±0.3 0.XX±0.13 0.XXX±0.051	scale 1:1	dwg no 72306 sheet 3 of 9 size A4
	dr R.GRAPE 9/9/96	engr D.BRANN 9/9/96	FCI	type Product Customer Drawing
	chr D.BRANN 9/9/96	appd D.BRANN 9/9/96		
sheet index	revision sheet			

PRODUCT NUMBER
72306-***/***/LF



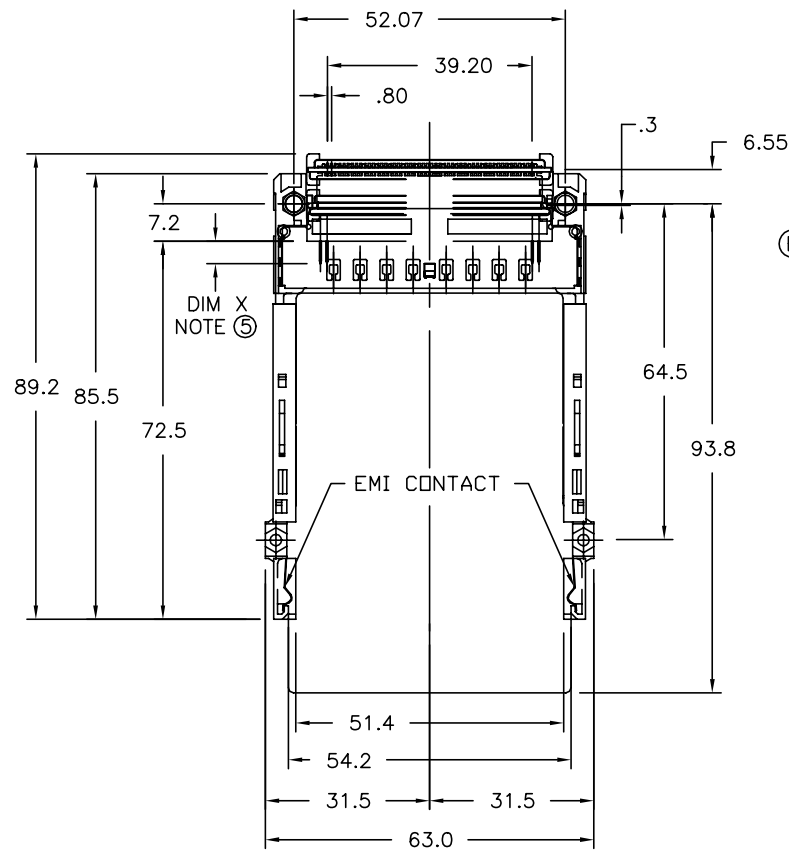
MATING RECEPTACLE SHOWN FOR APPLICATION CLARITY ONLY. MUST BE ORDERED SEPARATELY.



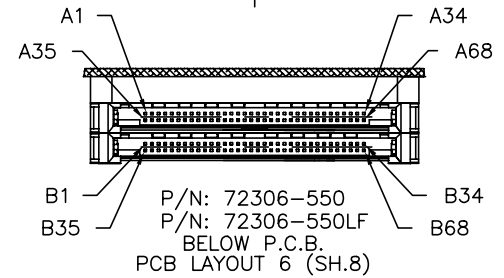
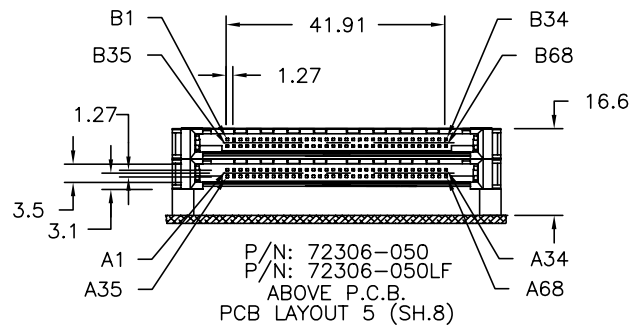
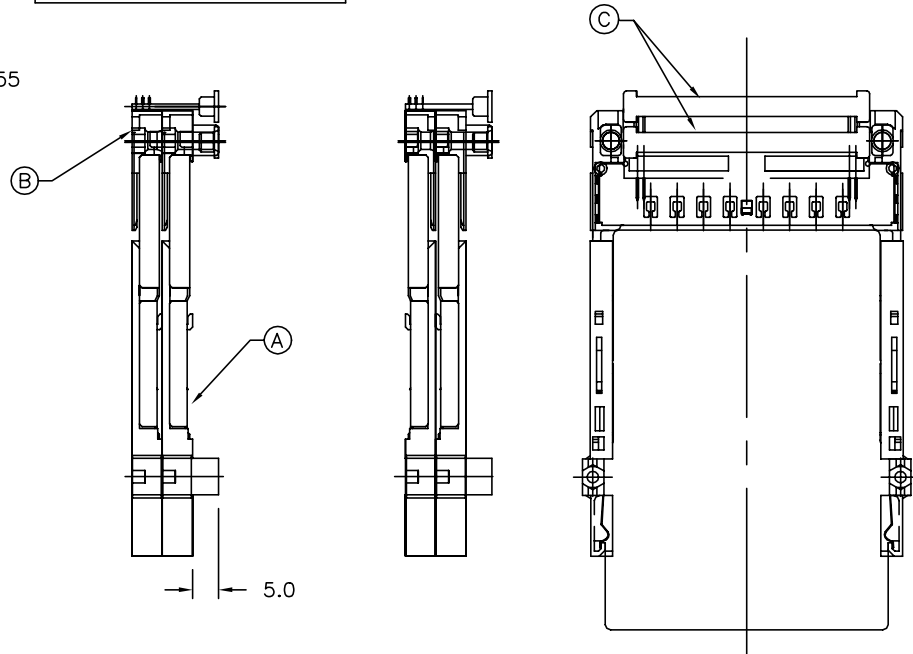
mat'l. code	surface ISO1302	tolerance ISO1101 ISO406	projection MM	product family MCS
l trechn nodr date	tolerances unless otherwise specified		scale 1:1	title CARDBUS DOUBLE DECK ASS'Y SMT TYPE 123
F	angle 0°±2'	0.X±0.3 0.XX±0.13 0.XXX±0.051	MM	dwg no 72306
	dr R.GRAPE	9/9/96		sheet 4 of 9
	engr D.BRANN	9/9/96		size A4
	chr D.BRANN	9/9/96		type Product Customer Drawing
	appd D.BRANN	9/9/96		
sheet index	revision sheet			



PRODUCT NUMBER
72306-***/**LF

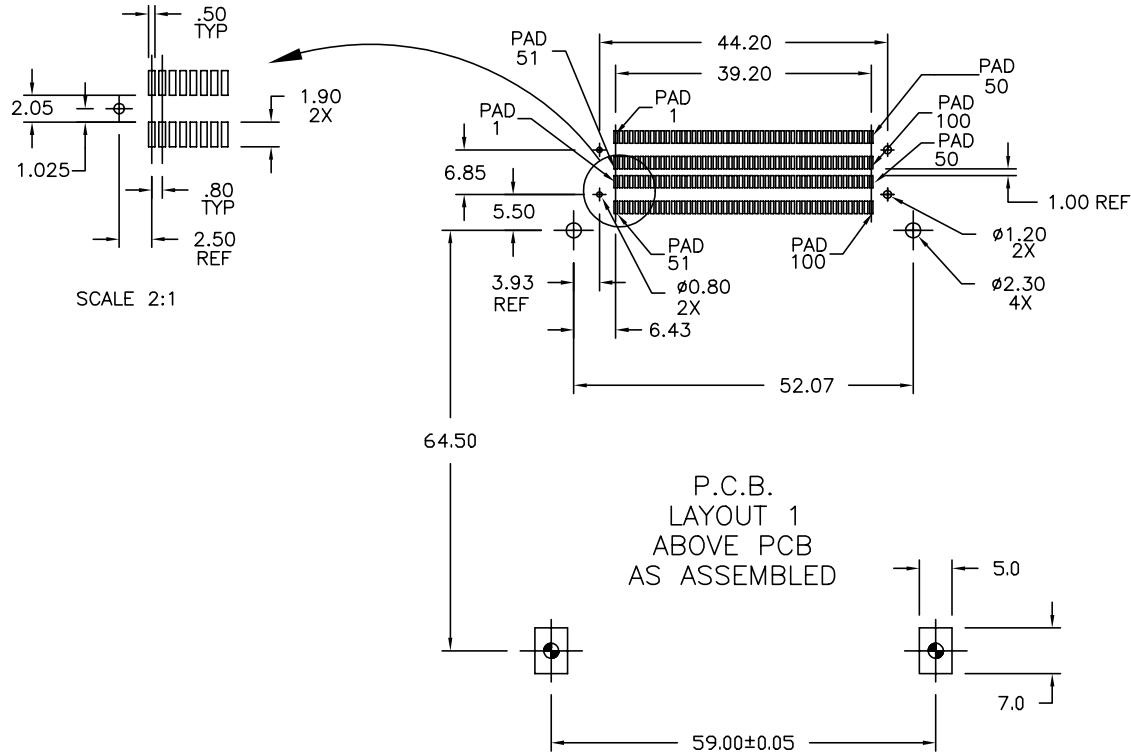


MATING RECEPTACLE SHOWN FOR APPLICATION CLARITY ONLY. MUST BE ORDERED SEPARATELY



mat'l. code	surface ISO1302	tolerance ISO1101 ISO406	projection ASME Y14.5	product family MCS
l'tecn nodr	date	tolerances unless otherwise specified	MM	CARBUS DOUBLE DECK ASS'Y SMT TYPE 123
F		angle 0°±2'	scale 1:1	dwg no 72306 sheet 5 of 9 size A4
		dr R.GRAPE 9/9/96	FCI	type Product Customer Drawing
		enr D.BRANN 9/9/96		
		chr D.BRANN 9/9/96		
		appd D.BRANN 9/9/96		
sheet index	revision sheet			

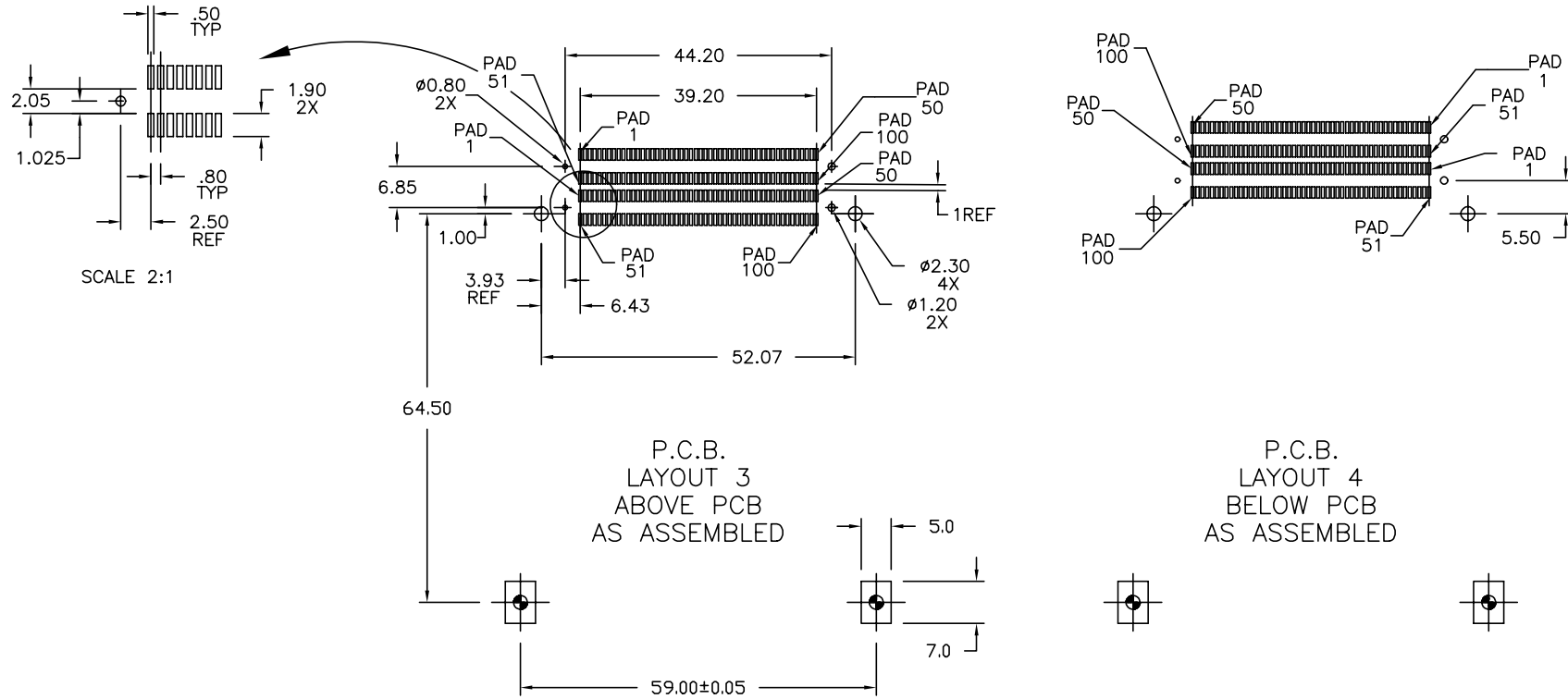
P.C.B. LAYOUT FOR 0mm STANDOFF



P.C.B.
LAYOUT 1
ABOVE PCB
AS ASSEMBLED

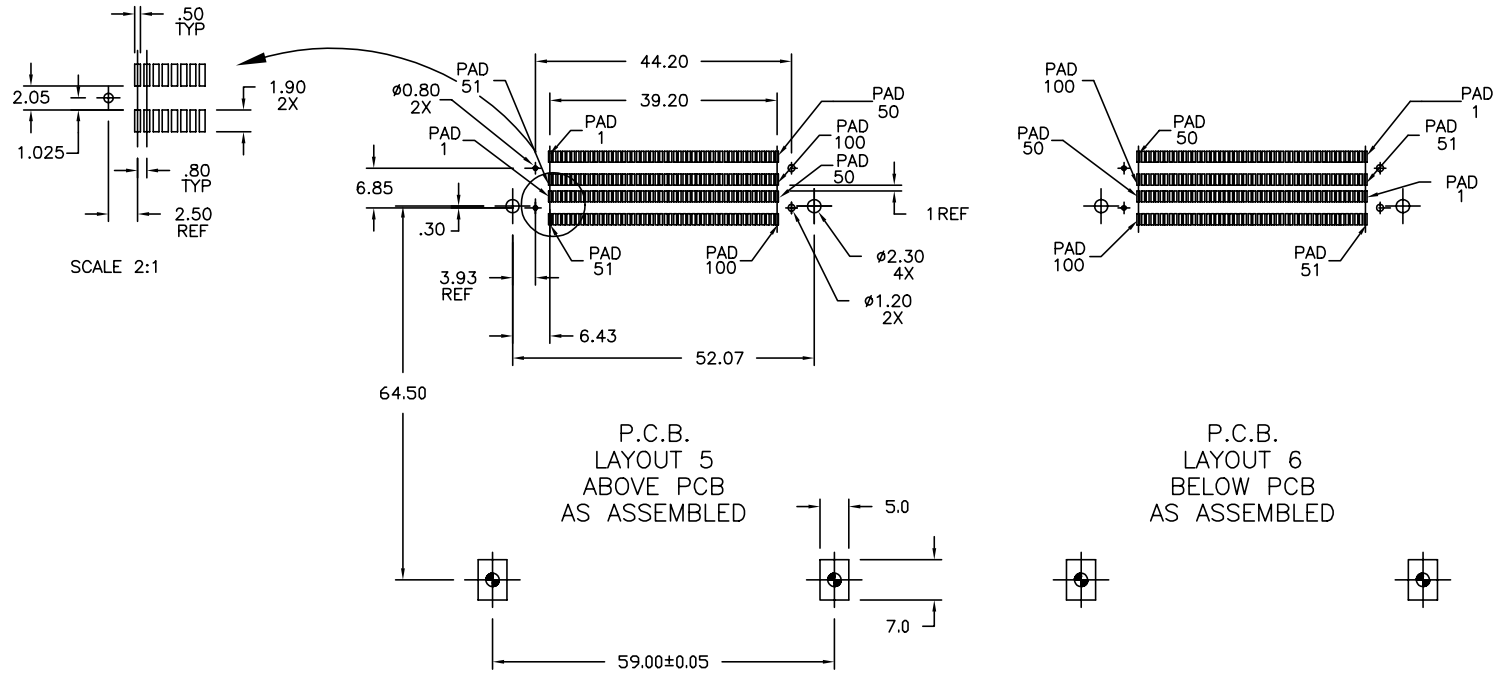
mat'l. code	surface	tolerance	projection	product family
	ISO1302	ISO1101 ISO406		MCS
ltr ecn nodr date	tolerances unless otherwise specified		MM	CARDBUS DOUBLE DECK
F	angle	0.X±0.3	scale 1:1	ASS'Y SMT TYPE 123
	0°±2'	0.XX±0.13		
		0.XXX±0.051		
	dr	R.GRAPE 9/9/96		dwg no
	engr	D.BRANN 9/9/96		72306
	chr	D.BRANN 9/9/96		sheet 6 of 9
	appd	D.BRANN 9/9/96		size A4
sheet index	revision sheet			type Product Customer Drawing

P.C.B. LAYOUT FOR 2.2mm STANDOFF



mat'l. code	surface ISO1302	tolerance ISO1101 ISO406	projection 	product family MCS
ltr ecn nodr	tolerances unless otherwise specified		title	
F	angle	0.X±0.3	MM	CARDBUS DOUBLE DECK
	0°±2'	0.XX±0.13	scale 1:1	ASS'Y SMT TYPE 123
		0.XXX±0.051		
dr	R.GRAPE	9/9/96		dwg no
engr	D.BRANN	9/9/96		sheet 7 of 9
chr	D.BRANN	9/9/96		size
appd	D.BRANN	9/9/96		A4
sheet index	revision sheet			type Product Customer Drawing

P.C.B. LAYOUT FOR 4.3 AND 5.0mm STANDOFFS



mat'l. code	surface ISO1302 ✓	tolerance ISO1101 ISO406	projection MM	product family MCS
ltr ecn nodr	tolerances unless otherwise specified		scale 1:1	title CARDBUS DOUBLE DECK ASS'Y SMT TYPE 123
F	angle 0°±2'	0.X±0.3 0.XX±0.13 0.XXX±0.051	MM	dwg no 72306
	dr R.GRAPE	9/9/96		sheet 8 of 9
	engr D.BRANN	9/9/96		size A4
	chr D.BRANN	9/9/96		type Product Customer Drawing
	appd D.BRANN	9/9/96		
sheet index	revision sheet			

HEADER PINOUT	TYPE	BTB 100 POS RECEPTACLE	HEADER PINOUT	TYPE	BTB 100 POS RECEPTACLE	SHIELD PINOUT	TYPE	BTB 100 POS RECEPTACLE
1	GND	1	35	GND	51	1	GND	4 & 54
2	SIG	2	36	DET	52	2	GND	7 & 57
3	SIG	3	37	SIG	53	3	GND	10 & 60
4	SIG	5	38	SIG	55	4	GND	13 & 63
5	SIG	6	39	SIG	56	5	GND	16 & 66
6	SIG	8	40	SIG	58	6	GND	19 & 69
7	SIG	9	41	SIG	59	7	GND	22 & 72
8	SIG	11	42	SIG	61	8	GND	25 & 75
9	SIG	12	43	SIG	62	9	GND	26 & 76
10	SIG	14	44	SIG	64	10	GND	29 & 79
11	SIG	15	45	SIG	65	11	GND	32 & 82
12	SIG	17	46	SIG	67	12	GND	35 & 85
13	SIG	18	47	SIG	68	13	GND	38 & 88
14	SIG	20	48	SIG	70	14	GND	41 & 91
15	SIG	21	49	SIG	71	15	GND	44 & 94
16	SIG	23	50	SIG	73	16	GND	47 & 97
17	PWR	24	51	PWR	74			
18	SIG	27	52	SIG	77			
19	SIG	28	53	SIG	78			
20	SIG	30	54	SIG	80			
21	SIG	31	55	SIG	81			
22	SIG	33	56	SIG	83			
23	SIG	34	57	SIG	84			
24	SIG	36	58	SIG	86			
25	SIG	37	59	SIG	87			
26	SIG	39	60	SIG	89			
27	SIG	40	61	SIG	90			
28	SIG	42	62	SIG	92			
29	SIG	43	63	SIG	93			
30	SIG	45	64	SIG	95			
31	SIG	46	65	SIG	96			
32	SIG	48	66	SIG	98			
33	SIG	49	67	DET	99			
34	GND	50	68	GND	100			

NOTES:

- ORDER MATING RECEPTACLES SEPARATELY.
- RECOMMENDED SCREW TORQUE: 1.0 TO 1.5 MAX in-lbs. (1.2-1.7 cm-kgs).
RECOMMENDED HOLD-DOWN - 2mm SCREWS (95121)
AND HEX NUTS (92869).
- MATERIAL:
 - HEADER ASSY:
PLASTIC HOUSING: HIGH TEMPERATURE THERMOPLASTIC UL94V-0 BLACK - ABOVE PCB
HIGH TEMPERATURE THERMOPLASTIC UL94V-0 BLACK - BELOW PCB
PIN: PHOSPHOR BRONZE
PCB: FR4
 - MECHANISM ASSY:
PLASTIC GUIDE: HIGH TEMPERATURE THERMOPLASTIC UL94V-0 BLACK
COVER PLATE: STAINLESS STEEL
EMI CONTACT: PHOSPHOR BRONZE
 - .8 BTB RECEPTACLE (73277-101000):
PLASTIC: HIGH TEMPERATURE THERMOPLASTIC UL94V-0 BLACK
CONTACT: BeCu
- FINISH (PIN)
UNDER PLATING: 0.5um Ni
CONTACT AREA: 0.076 µm MIN. GOLD

SOLDER TAIL: 2.5um Sn-Pb
2.5um PURE Sn (FOR -***LF)

⑤ DIM "X"

4.25±0.1	3.5±0.1	5.0±0.1
OTHERS	36,67	1,17,34,35,51,68

- IF LEAD FREE P/N.THE HOUSING WILL WITHSTAND EXPOSURE TO 260°C PEAK TEMPERATURE FOR 10 SECONDS IN A WAVE SOLDER APPLICATION WITH A 1.00MM MINIMUM THICK CIRCUIT BOARD.
- IF LEAD FREE P/N.THE PRODUCT MEETS EUROPEAN UNION DIRECTIVES AND OTHER COUNTRY REGULATIONS AS DESCRIBED IN GS-22-008
- LEAD FREE P/N PACKAGING MEETS GS-14-920 SPECIFICATION
- PRODUCT SPEC:110-263

mat'l. code	surface ISO1302 ✓	tolerance ISO1101 ISO406	projection 	product family MCS
ltr ecn nodr	date	tolerances unless otherwise specified		title CARDBUS DOUBLE DECK ASS'Y SMT TYPE 123
F		angle 0°±2'	MM scale 1:1	dwg no 72306
		dr R.GRAPE 9/9/96		sheet 9 of 9 size A4
		enr D.BRANN 9/9/96		type Product Customer Drawing
		chr D.BRANN 9/9/96		
		appd D.BRANN 9/9/96		
sheet index	revision sheet			

X-ON Electronics

Largest Supplier of Electrical and Electronic Components

Click to view similar products for [Memory Card Connectors](#) category:

Click to view products by [Amphenol](#) manufacturer:

Other Similar products are found below :

[M10-597810-355](#) [M21-033321-005](#) [6426-201-21343](#) [69.920.0553.0](#) [MCR60A-98D-2.54DSA\(70\)](#) [FCN-568P068-G/07-4V](#) [809180410000000](#)
[95622-003LF](#) [DM3AT-SF-PEJM5\(41\)](#) [EN2997S72039F6](#) [N7E50-7516PG-20-WF](#) [IC11S-BUR-PNEJL\(71\)](#) [NX30TA-15PAA\(50\)](#) [21920-5](#)
[2041353-2](#) [FUA006-3220-0](#) [33CFAE-DN](#) [MI21A-50PD-SF-EJR\(91\)](#) [502431-1011](#) [5175651-2](#) [10-247926-166](#) [EN2997S02039B8](#)
[EN2997S61212BN](#) [EN2997S72039B6](#) [EN2997SE02039B8](#) [EN2997SE61212BN](#) [EN2997SE72039B6](#) [71-252718-32P](#) [NX1-32T-KT3K\(05\)](#)
[95622-003LF](#) [91-570124-15P](#) [192900-0488](#) [DM1AA-SF-PEJ](#) [95079-00CALF](#) [84648-056HLF](#) [68-580163-21S](#) [33DVIR-29S12R](#)
[SF58S006VBRR2000](#) [93-570123-08P](#) [GMC020080HR](#) [125A-78C00](#) [1010040575#](#) [MI20A-50PD-SF-EJL\(71\)](#) [KP10S-SF-PEJ\(812\)](#)
[DM1AA-SF-PEJ\(31\)](#) [FO-10GGBLCX20-002](#) [504536-0691](#) [115S-ACA2](#) [115S-ACA3](#) [115S-BS00](#)