



form no. 7530-001-103

1 | 2

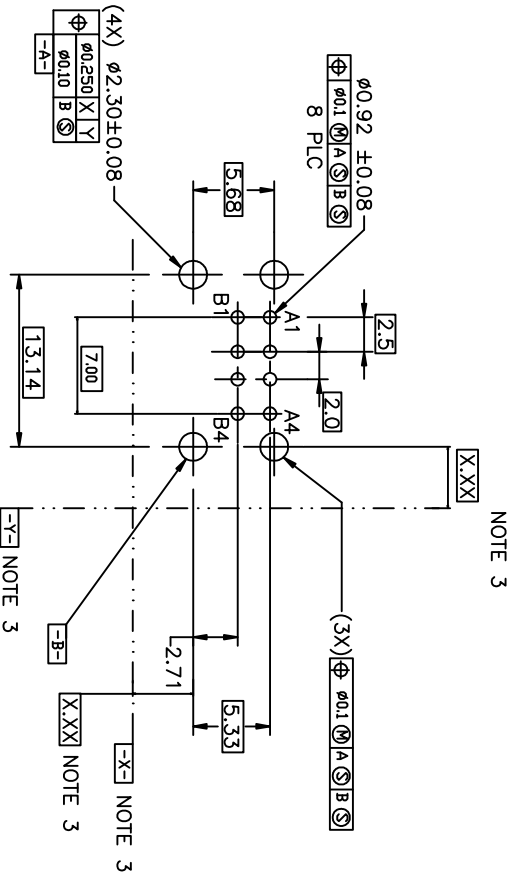
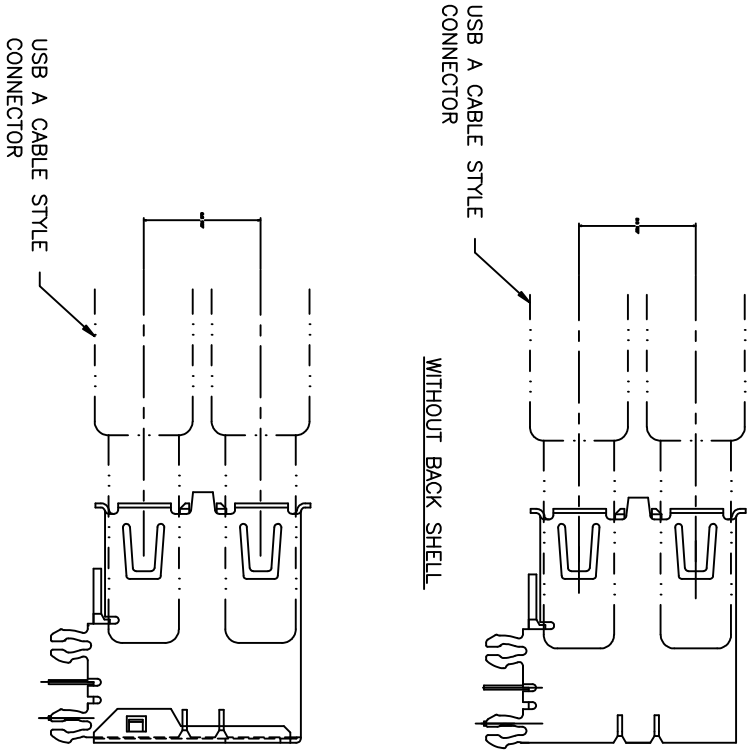
3

4

1 | 2

3

4



RECOMMENDED PC DIMENSIONS

NOTES:

1. MATERIAL: CONTACTS-COPPER ALLOY SHELL-COPPER ALLOY HOUSING-UL 94-V-0 RATED THERMOPLASTIC.

2. PLATING:

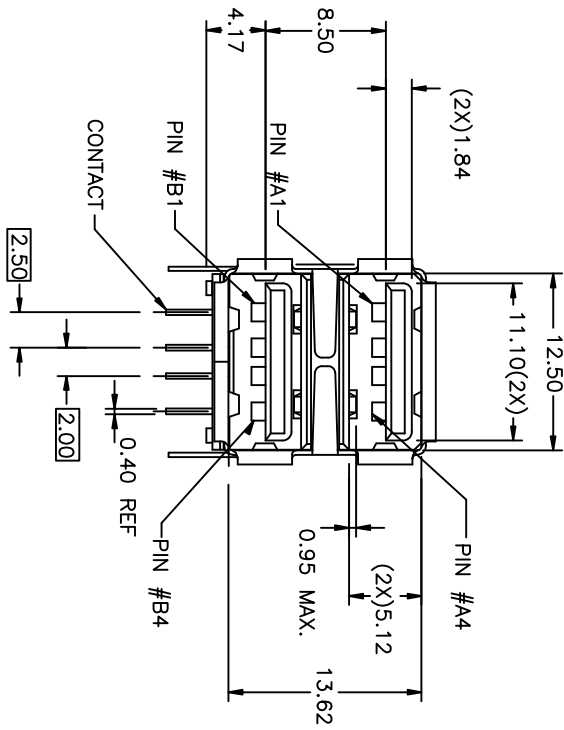
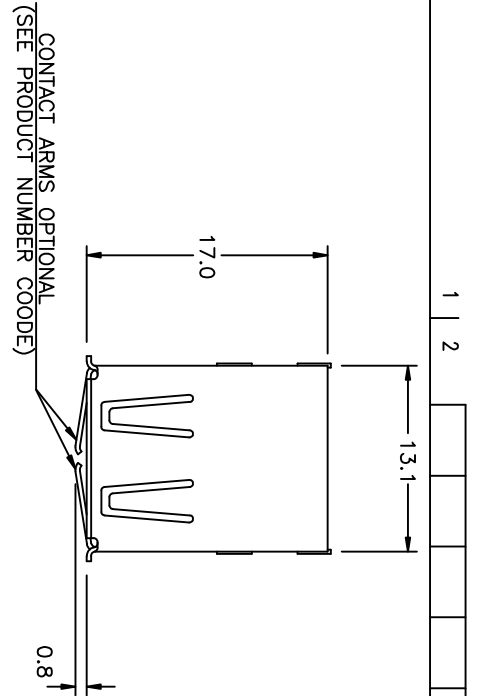
- CONTACTS-0.76um MINIMUM GLOD FLASH OVER PALLADIUM NICKEL IN CONTACT AREA OR 0.76um MIN GOLD FLASH
- 3.8um MINIMUM TIN-LEAD ON SOLDER TAILS
- ALL OVER 1.27um MINIMUM NICKEL.
- SHELL, 5um MINIMUM BRIGHT TIN OVER 2.5um MINIMUM NICKEL.

③ DATUM AND BASIC DIMENSIONS ESTABLISHED BY CUSTOMER.

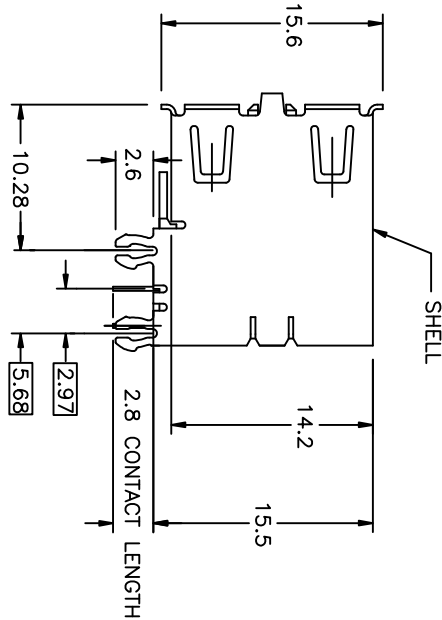
4. RECOMMENDED PC BOARD THICKNESS OF 1.57mm.

5. P/N SEE PRODUCT NUMBER CODE. (TO BE CONTINUED)

mat'l. code	NOTE 1 & 2		tolerances unless otherwise specified		CUSTOMER COPY	FCI	www.fciconnect.com	title	UNIV. SERIAL BUS DOUBLE DECK RECEPTACLE	product family	USB	code
itr	ecn no.	dr	date	linear	X ±.30			projection		size	dwg no	sheet
AC	N05-0088	PH	05/09/05		.XX ±.20			mm	2:1	A4	72309	1 of 4
AD	N05-0106	PH	04/13/05		.XXX ±.10							
AE	N06-0101	HB	04/13/06	angles	0° ±.3°							
AF	N06-0133	HB	05/17/06	dr								
				engr	PETER							
AA	T04-0206	WL	05/13/04	cht	R Y LUU							
AB	N04-0086	PH	11/09/04	qpld	JENN TSKAO							
sheet	revision	AF	AA	Y	AE							
index	sheet	1	2	3	4							



ASSEMBLY WITHOUT BACK SHIELD
 72309-XX3XX SHOWN



- (CONTINUED)
- FOR LEAD FREE P/N, A LEAD FREE LABEL WILL APPEAR AT PACKING.
 - FOR LEAD FREE P/N, THE HOUSING WILL WITHSTAND EXPOSURE TO 260°C PEAK TEMPERATURE FOR 40 SECONDS IN A CONVECTION, INFR-RED OR VAPOR PHASE REFLUX OVEN.
 - FOR LEAD FREE P/N, THE PRODUCT MEET EUROPEAN UNION DIRECTIVES AND OTHER COUNTRY REGULATION AS DESCRIBED IN GS-22-008

form no. 7530-001-103

1 | 2

1 | 2

3 |

4

mat'l. code		tolerances unless otherwise specified		CUSTOMER COPY		FCJ		www.fcjconnect.com	
itr	ecr no	dr	date	linear	.XX ±.20	projection	mm	title	UNIV. SERIAL BUS
AA				angles	.XXX ±.10	scale	2 : 1	product family	DOUBLE DECK RECEPTACLE
				dr	PETER PAM	size	dwg no	code	USB
				engr	R Y LIU	12/10/97	72309	sheet	2 of 4
				chr	R Y LIU	12/10/97		sheet	2 of 4
				appd	JENN TSAO	12/10/97		sheet	2 of 4
sheet	revision	sheet	sheet	index	index	index	index	index	index

3 |

code 22526

4



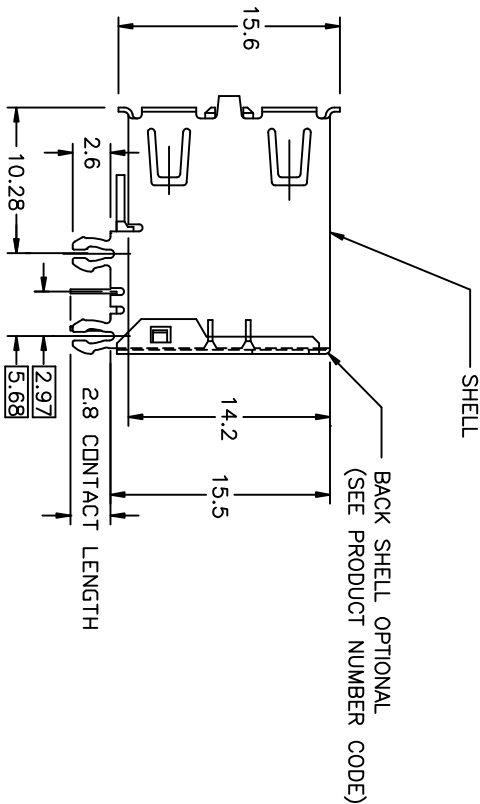
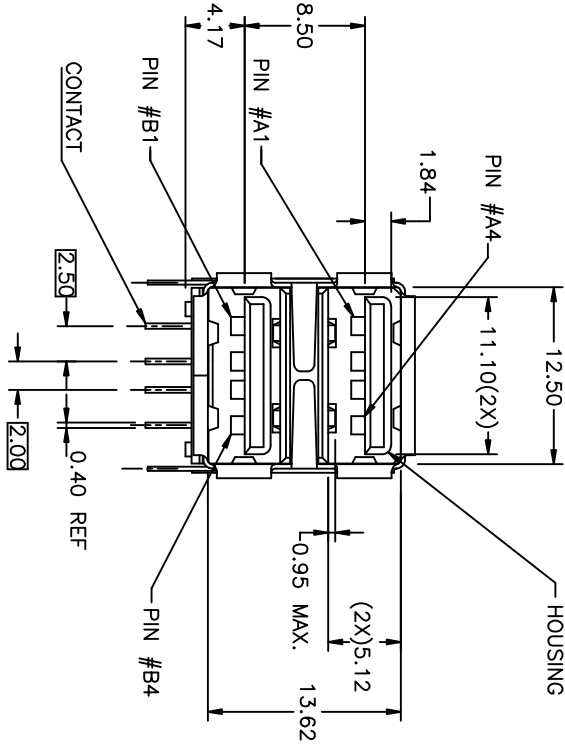
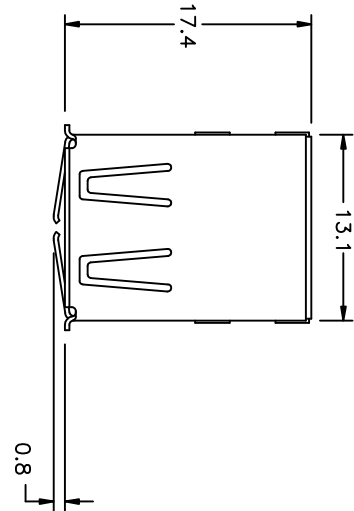
B

A

form no. 7530-001-103

1 | 2

1 | 2



ASSEMBLY WITH BACK SHIELD
 72309 - XX4XX SHOWN

mat'l. code		tolerances unless otherwise specified		CUSTOMER COPY		FCJ		title	
itr	ecn no	dr	date	.X ±.30	projection	UNIV. SERIAL BUS		DOUBLE DECK RECEPTACLE	
Y				.XX ±.20	mm	USB		code	
				.XXX ±.10	0° ±5°	product family		code	
				PETER PAM 12/01/97	dr	size		sheet	
				R Y LIU 12/10/97	engr	dwg no		3 of	
				R Y LIU 12/10/97	chr	72309			
				JENN TSAO 12/10/97	appr				
sheet	revision								
index	sheet								

3 |

3 |

4

B

code 22526



PRODUCT NUMBER CODE

72309 - X X X X X P S L F

BASE PRODUCT NUMBER

- HOUSING COLOR + SHELL PLATING OPTIONS -
- 0 - WHITE + NICKEL & TIN LEAD PLATING
 - 1 - BLACK + NICKEL & TIN LEAD PLATING
 - 2 - WHITE + NICKEL PLATING ONLY
 - 3 - BLACK + NICKEL PLATING ONLY
 - 4 - WHITE + NICKEL PLATING ONLY + LCP HSG
 - 5 - BLACK + NICKEL PLATING ONLY + LCP HSG
 - 6 - BLACK + NICKEL & TIN LEAD PLATING + LCP HSG
 - 7 - BLACK + NICKEL & BRIGHT TIN PLATING
 - 8 - WHITE + NICKEL & BRIGHT TIN PLATING
 - 9 - BLACK + NICKEL & BRIGHT TIN PLATING + LCP HSG

SHELL PLATING OPTION

- 0 - BARREL-PLATING
- 1 - PRE-PLATING

SHELL OPTIONS

- 1 - NO BACK SHIELD, NO ARMS, FRONT GROUNDING ARMS
- 2 - BACK SHIELD, NO FRONT GROUNDING ARMS
- 3 - NO BACK SHIELD, FRONT GROUNDING ARMS
- 4 - BACK SHIELD, FRONT GROUNDING ARMS

TERMINAL PLATING OPTION

- 0 - 50u" Ni UNDERPLATE
- 30u" GXT CONTACT AREA
- 100u" TIN/LEAD TAIL AREA
- 2 - 50u" Ni UNDERPLATE
- 30u" GOLD CONTACT AREA
- 100u" TIN/LEAD TAIL AREA
- 3 - 50u" Ni UNDERPLATE
- 30u" GOLD CONTACT AREA
- 100u" MATTE TIN TAIL AREA
- 4 - 50u" Ni UNDERPLATE
- 30u" GXT CONTACT AREA
- 100u" MATTE TIN TAIL AREA

PACKAGING OPTIONS

- B - TUBES
- R - TAPE & REEL

WITH DATE CODE

ONLY FOR PANASONIC

LEAD FREE MARK

LEAD FREE CONVERSION RULES -
 HOUSING COLOR AND SHELL PLATING OPTION: 0 TO 8, 1 TO 7, 6 TO 9
 TERMINAL PLATING OPTION: 0 TO 4, 2 TO 3

NOTE:
 AVAILABLE P/N'S IN FCI NOW FOLLOWED:

- 72309-0010X/8014XLF 72309-2010X/2014XLF
- 72309-0012X/8013XLF 72309-2012X/2013XLF
- 72309-0020X/8024XLF 72309-2020X/2024XLF
- 72309-0022X/8023XLF 72309-2022X/2023XLF
- 72309-0030X/8034XLF 72309-2030X/2034XLF
- 72309-0032X/8033XLF 72309-2032X/2033XLF
- 72309-0040X/8044XLF 72309-2040X/2044XLF
- 72309-0042X/8043XLF 72309-2042X/2043XLF
- 72309-1012X/7013XLF 72309-3012X/3013XLF
- 72309-1012X/7013XLF 72309-3012X/3013XLF
- 72309-1020X/7023XLF 72309-3020X/3023XLF
- 72309-1030X/7033XLF 72309-3030X/3033XLF
- 72309-1040X/7043XLF 72309-3040X/3043XLF
- 72309-1042X/7043XLF 72309-3042X/3043XLF
- 72309-0110X/8114XLF 72309-4010X/4044XLF
- 72309-0112X/8113XLF 72309-5012X/5013XLF
- 72309-0120X/8124XLF 72309-5020X/5024XLF
- 72309-0122X/8123XLF 72309-5022X/5023XLF
- 72309-0130X/8133XLF 72309-5030X/5033XLF
- 72309-0140X/8144XLF 72309-5040X/5044XLF
- 72309-0142X/8143XLF 72309-5042X/5043XLF
- 72309-1110X/7114XLF 72309-6010X/6044XLF
- 72309-1112X/7113XLF 72309-6012X/6013XLF
- 72309-1120X/7124XLF 72309-6020X/6024XLF
- 72309-1122X/7123XLF 72309-6022X/6023XLF
- 72309-1130X/7134XLF 72309-6030X/6034XLF
- 72309-1132X/7133XLF 72309-6032X/6033XLF
- 72309-1140X/7144XLF 72309-6040X/6044XLF
- 72309-1142X/7143XLF 72309-6042X/6043XLF

form no. 7530-001-103

1 | 2

3

code 22526

4

mat'l. code	NOTE 1 & 2	dr	date	tolerances unless otherwise specified	projection	title	product family	code
AE				linear		UNIV. SERIAL BUS	USB	
				angles		DOUBLE DECK RECEPTACLE	72309	
				dr	mm			
				engr				
				chr				
				oppd	2:1			
sheet	revision							sheet
index	sheet							4 of



X-ON Electronics

Largest Supplier of Electrical and Electronic Components

Click to view similar products for [USB Connectors](#) category:

Click to view products by [Amphenol](#) manufacturer:

Other Similar products are found below :

[65-647-8-BK-BU](#) [950](#) [E8144-B01021-L](#) [A-USB A-LP-SMT-C](#) [A-USB B-TOP-C](#) [MUSBA511N5](#) [MUSBD11135](#) [217450-1](#) [CA 6 W LD](#)
[KMBVX-TH-5S-B30](#) [896-30-004-00-000000](#) [KUSBVX-BS1N-W30](#) [KUSBX-AP-KIT-SCBLK](#) [KUSBX-AS2N-W](#) [KUSBX-SMT2AP1S-W](#)
[KUSBX-SMT2AP1S-W30](#) [935](#) [957](#) [30-498-6](#) [17-210051](#) [1734082-1](#) [30-1574](#) [30-470](#) [30-489](#) [30-541](#) [30-572-3](#) [MAB 8 SN V](#) [A-USB A-](#)
[2P-C](#) [MIKROE-1451](#) [USBFTV2PEM2G](#) [USBFTVC6ZN](#) [KUSBX-AS2N-W30](#) [KUSBX-SLAS1N-W](#) [KUSBX-SMT-AS1N-W30](#) [4689-1](#) [1-](#)
[1734084-2](#) [E8110-001-01](#) [MUSBA81130](#) [33UBARS1-04SW11](#) [33UBAR-04SW11](#) [USBF21ZNSCC](#) [USBBFTV6ZC](#) [10135326-001LF](#)
[M9177/3-1](#) [925](#) [4198](#) [690-024-633-031](#) [KUSBEX-BSFS1N-W](#) [USBFTVC6MRG](#) [UA-20BMFA-SL8001](#)