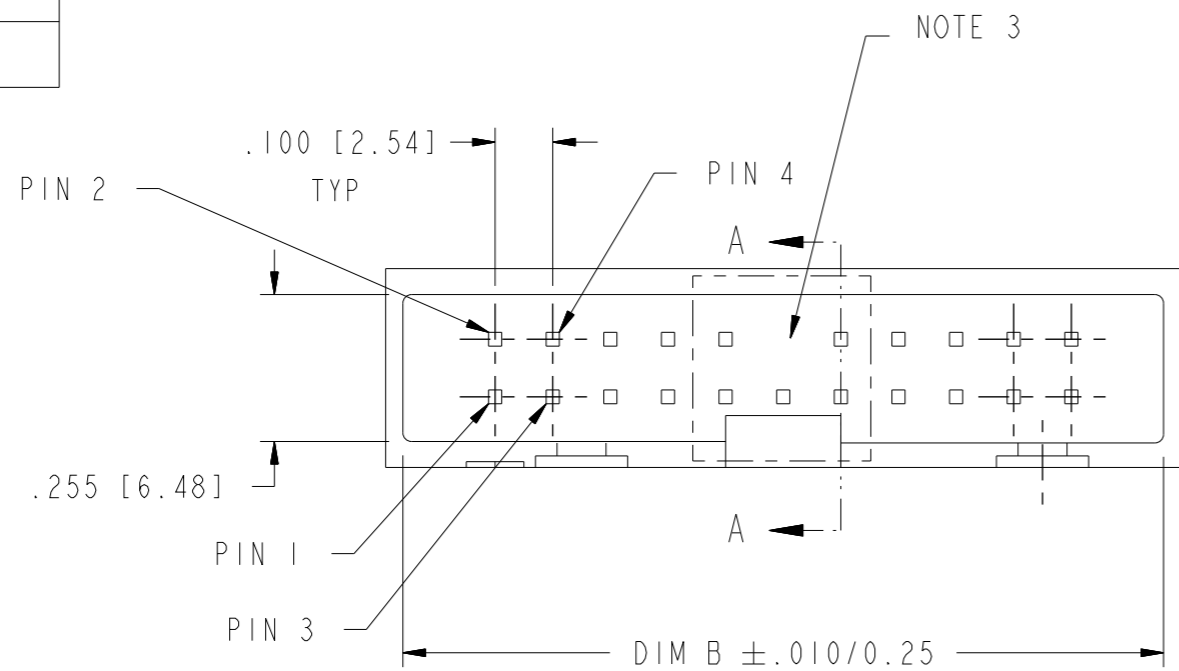


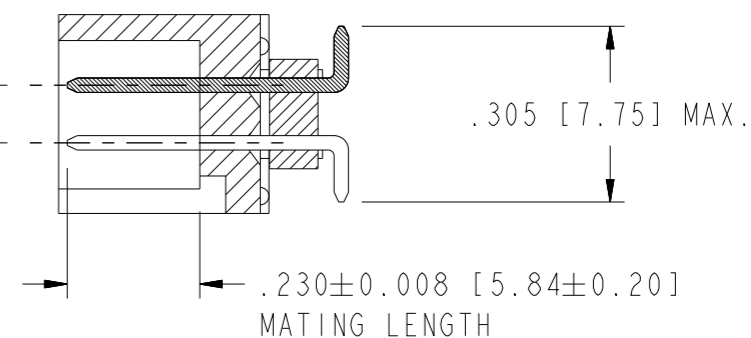
PRODUCT NO

SEE TABLE



.345 [8.76] REF  
 $\oplus \varnothing .006 / 0.15 \text{ (M) X}$

NOTE 7

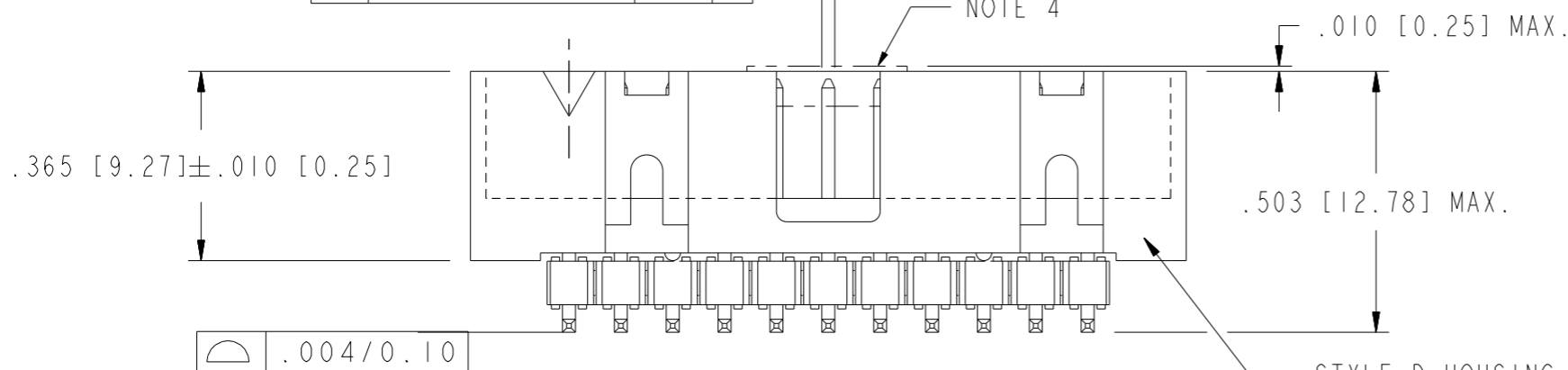


SECTION A-A

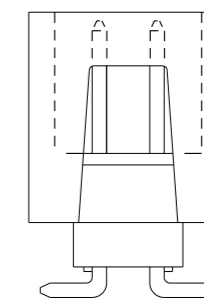
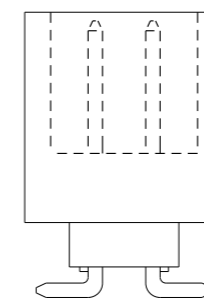
NOTE 5

.025 ± 0.001 [0.64 ± 0.03] TYP  
 $\oplus \varnothing .020 / 0.5 \text{ (M) U (M) V}$

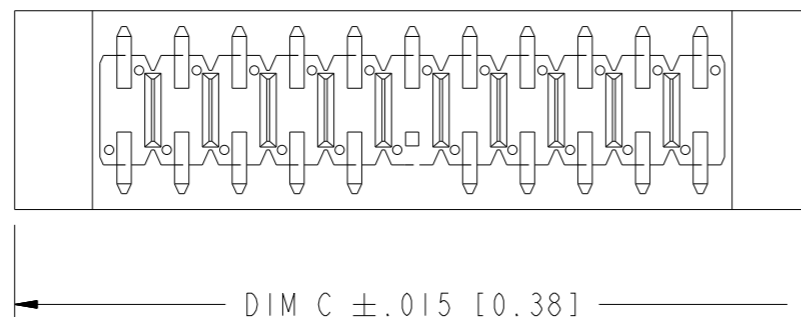
NOTE 4



STYLE D HOUSING  
SEE TABLE



w/WINDOW OPTION  
SEE TABLE



DRAWN WITHOUT WINDOW OPTION

spec ref	dr	Yong Huang	2010/10/25	projection	INCH / MM	size	A3	scale	1.000
tolerance std	eng	Zheng-Kun Hu	2013/08/27	$\oplus \varnothing$	← →	ecn no	ELX-N-13688-1	rel level	Released
ISO406 ISO1101	chr	-	-						
surface	linear	ISO 1302	0.X	±0.3		QUICK II HDR D/R	dwg no	72454	rev
			0.XX	±0.13					
			0.XXX	±0.05					
	angular	0°	±2°	www.fci.com	cat. no.	Product - Customer Drw	sheet 1 of 4	AK	

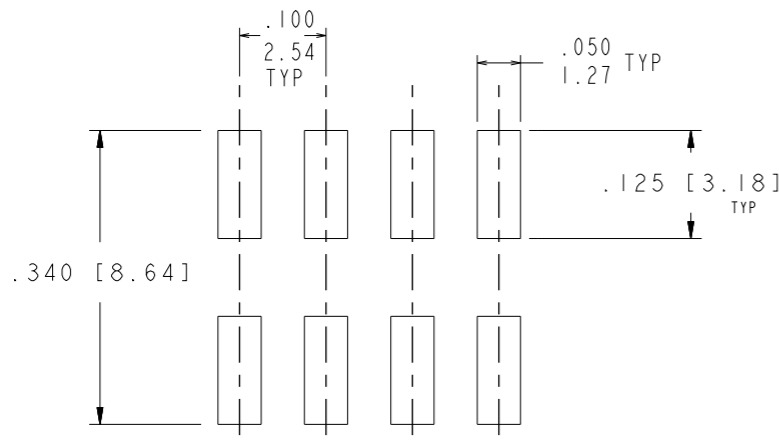


Copyright FCI.

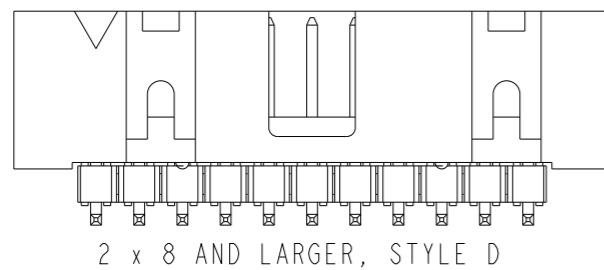
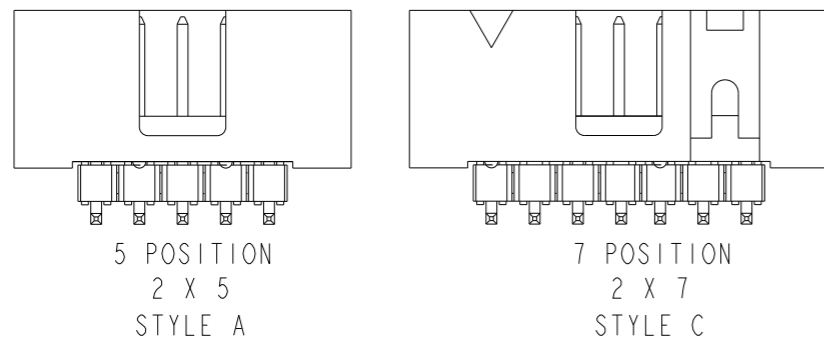
PRODUCT NO SEE TABLE	PLATING CODE	CONTACT AREA PLATING	SOLDER TAIL PLATING
	AA	30u"/.76u GXT OVER 50u"/1.27u Ni	100u"/2.54u Sn OVER 50u"/1.27u Ni
	4	100u"/2.54u Sn OVER 50u"/1.27u Ni	100u"/2.54u Sn OVER 50u"/1.27u Ni

LEAD FREE PLATING	AA	30u"/.76u GXT OVER 50u"/1.27u Ni	100u"/2.54u Sn OVER 50u"/1.27u Ni
	4	100u"/2.54u Sn OVER 50u"/1.27u Ni	100u"/2.54u Sn OVER 50u"/1.27u Ni

NOTE 11



RECOMMENDED PAD LAYOUT  
SCALE 4/1



NOTES:

1. BODY MATERIAL: PA46, GLASS FIBER REINFORCED, FLAME RETARDENT PER UL-94V-0.  
COLOR: BLACK  
OR  
MINERAL FILLED LCP, FLAME RETARDENT PER UL-94V-0  
COLOR: BLACK
2. PIN MATERIAL: PHOS-BRONZE.
3. PINS DELETED FROM SPECIFIED LOCATIONS FOR POLARIZATION. SEE TABLE FOR LOCATIONS.
4. PACKAGING OPTIONS: CHECK SPECIFIC PART NUMBERS FOR AVAILABILITY.  
PART NUMBERS WITHOUT A SUFFIX ARE PACKAGED  
PART NUMBERS FOLLOWED BY A "V" SUFFIX ARE PACKAGED  
TAPE-ON-REEL INSTALLED PER BUS-14-200 SECTION 2. VACUUM CAP TO BE CENTRALLY LOCATED REGARDLESS OF NUMBER OF POSITIONS.  
PART NUMBERS FOLLOWED BY A "B" SUFFIX ARE PACKAGED IN TRAYS WITH A PICK UP CAP INSTALLED PER BUS-14-445 & SEE GS-14-920 FOR LEAD FREE PACKAGED SPEC.
5. MEASURED WITH PART IN RESTRAINED CONDITION.
6. TWO SIDES OF PIN TIPS NOT PLATED. TYPICAL BOTH ENDS (SIMPLEX PLATING ONLY).
7. 2 LBS/0.9KG MIN PIN RETENTION IN EITHER DIRECTION.
8. ADD "LF" SUFFIX AT THE END OF PART NUMBER FOR LEAD FREE OPTION.
9. THIS PRODUCT MEETS EUROPEAN UNION DIRECTIVES AND OTHER COUNTRY REGULATION AS DESCRIBED IN GS-22-008.
10. THE HOUSING WILL WITHSTAND EXPOSURE TO 260°C PEAK TEMPERATURE FOR 10-20 SECONDS IN A CONVECTION, INFRA-RED OR VAPOR PHASE REFLOW OVEN. SEE APPLICATION NOTES/PROCEDURES IF THEY ARE AVAILABLE.
11. "THIS PRODUCT HAS 100% TIN PLATING IN THE INTERFACE AND HAS NOT BEEN TESTED FOR WHISKER GROWTH IN ALL INTERCONNECT ENVIRONMENTS."
12. PRODUCT SPEC: BUS-12-082

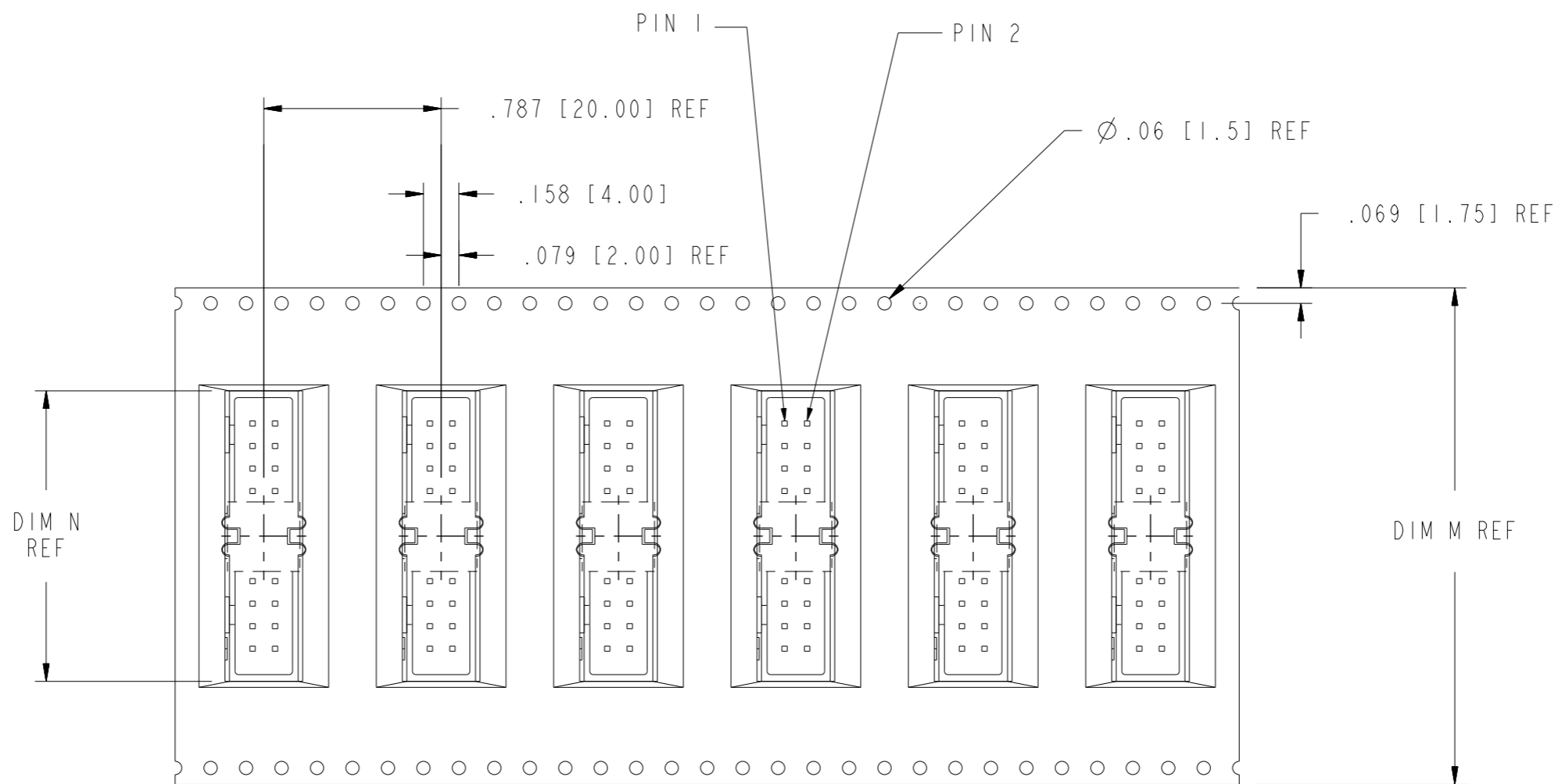
spec ref	dr	Yong Huang	2010/10/25	projection	INCH/MM	size	A3	scale	1.000	
tolerance std	eng	Zheng-Kun Hu	2013/08/27			ecn no	ELX-N-13688-1			
ISO406 ISO1101	chr	-	-			rel level	Released			
surface	appr	Rick Bian	2013/08/27	product family	QUICK 11 HDR D/R	dwg no	72454		rev	AK
ISO 1302	linear	0.X	±0.3	www.fci.com	cat. no.	Product - Customer Drw	sheet 2 of 4			
	angular	0°	±2°							



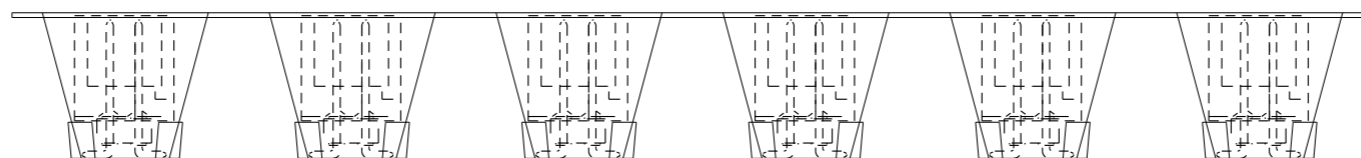
Copyright FCI.

PRODUCT NO

SEE TABLE



UN-REELING DIRECTION OF FEED



spec ref		dr	Yong Huang	2010/10/25	projection	INCH / MM	size	A3	scale	1.000
tolerance std		eng	Zheng-Kun Hu	2013/08/27			ecn no		ELX-N-13688-1	
ISO406 ISO1101		chr	-	-			rel level		Released	
TOLERANCES UNLESS OTHERWISE SPECIFIED		appr	Rick Bian	2013/08/27	product family		dwg no		72454	
surface		linear	0.X	±0.3		QUICK II HDR D/R		rev	AK	
			0.XX	±0.13		SLIMLINE SMT ASSEMBLY				
			0.XXX	±0.05		cat. no.				
ISO 1302		angular	0°	±2°	www.fci.com		Product - Customer Drw		sheet 3 of 4	

PRODUCT NUMBER	NO. OF POSITIONS	DIM B	DIM C	STYLE	POLARIZED POSITION	WINDOW OPTION	PLATING CODE	PACKAGING	TAPE WIDTH DIM M	POCKET DEPTH	DIM N	LEAD FREE OPTION
72454-008	2 X 4	.610/15.50	.690/15.33	A	-	N	AA	TRAY	--	--	--	NOTE 8,9
72454-010	2 X 5	.710/18.03	.790/20.07	A	-	N	AA	TRAY	--	--	--	
72454-010V	2 X 5	.710/18.03	.790/20.07	A	-	N	AA	TAPE ON REEL	1.260/32.00	.515/13.08	.790/20.07	
72454-014	2 X 7	.910/23.11	.99/25.2	C	-	N	AA	TRAY	--	--	--	
72454-014V	2 X 7	.910/23.11	.99/25.2	C	-	N	AA	TAPE ON REEL	1.732/44.00	.515/13.08	1.090/27.69	
72454-016	2 X 8	1.010/25.65	1.090/27.69	D	-	N	AA	TRAY	--	--	--	
72454-016V	2 X 8	1.010/25.65	1.090/27.69	D	-	N	AA	TAPE ON REEL	1.732/44.00	.515/13.08	1.090/27.69	
72454-020	2 X 10	1.210/30.73	1.290/32.77	D	-	N	AA	TRAY	--	--	--	
72454-020V	2 X 10	1.210/30.73	1.290/32.77	D	-	N	AA	TAPE-ON-REEL	2.205/56.00	.505/12.83	1.290/32.77	
72454-021	2 X 11	1.310/33.27	1.390/35.31	D	12	N	AA	TRAY	--	--	--	
72454-022	2 X 11	1.310/33.27	1.390/35.31	D	-	N	AA	TRAY	--	--	--	
72454-024	2 X 12	1.410/35.81	1.490/37.9	D	-	N	AA	--	--	--	--	
72454-024V	2 X 12	1.410/35.81	1.490/37.9	D	-	N	AA	TAPE-ON-REEL	2.205/56.00	.515/13.08	1.490/37.85	
72454-026	2 X 13	1.510/38.35	1.590/40.39	D	-	N	AA	TRAY	--	--	--	
72454-026V	2 X 13	1.510/38.35	1.590/40.39	D	-	N	AA	TAPE-ON-REEL	2.205/56.00	0.787/20.00	1.614/41.00	
72454-030	2 X 15	1.710/43.43	1.790/45.47	D	-	N	AA	TRAY	--	--	--	
72454-030V	2 X 15	1.710/43.43	1.790/45.47	D	-	N	AA	TAPE-ON-REEL	2.834/72.00	0.787/20.00	1.771/45.00	
72454-034	2 X 17	1.910/48.51	1.990/50.60	D	-	N	AA	TRAY	--	--	--	
72454-040	2 X 20	2.210/56.13	2.290/58.17	D	-	N	4	TRAY	--	--	--	
72454-040V	2 X 20	2.210/56.13	2.290/58.17	D	-	N	4	TAPE-ON-REEL	3.465/88.00	0.787/20.00	2.290/58.25	
72454-041	2 X 20	2.210/56.13	2.290/58.17	D	-	N	AA	TRAY	--	--	--	
72454-041V	2 X 20	2.210/56.13	2.290/58.17	D	-	N	AA	TAPE-ON-REEL	3.465/88.00	0.787/20.00	2.290/58.25	
72454-044	2 X 22	2.410/61.21	2.490/63.25	D	-	N	AA	TRAY	--	--	--	
72454-050	2 X 25	2.710/68.83	2.790/70.87	D	-	N	AA	TRAY	--	--	--	
72454-051	2 X 10	1.210/30.73	1.290/32.77	D	-	Y	AA	TRAY	--	--	--	
72454-051V	2 X 10	1.210/30.73	1.290/32.77	D	-	Y	AA	TAPE-ON-REEL	2.205/56.00	.505/12.83	1.290/32.77	
72454-052	2 X 20	2.210/56.13	2.290/58.17	D	20	N	AA	TRAY	--	--	--	
72454-053V	2 X 5	0.710/18.03	0.790/20.07	A	9	N	AA	TAPE ON REEL	1.260/32.00	.515/13.08	.790/20.07	

NOTE 8,9

Copyright FCI Copyright FCI

spec ref	dr	Yong Huang	2010/10/25	projection	INCH/MM	size	A3	scale	1.000												
tolerance std	eng	Zheng-Kun Hu	2013/08/27			ecn no	ELX-N-13688-1														
ISO406 ISO1101	chr	-	-			rel level	Released														
surface	appr	Rick Bian	2013/08/27	product family	QUICK II HDR D/R	dwg no	72454		rev	AK											
ISO 1302	<table border="1"> <tr><td>linear</td><td>0.X</td><td>±0.3</td></tr> <tr><td></td><td>0.XX</td><td>±0.13</td></tr> <tr><td></td><td>0.XXX</td><td>±0.05</td></tr> <tr><td>angular</td><td>0°</td><td>±2°</td></tr> </table>		linear	0.X	±0.3		0.XX	±0.13		0.XXX	±0.05	angular	0°	±2°	www.fci.com	cat. no.	Product - Customer Drw	sheet 4 of 4			
linear	0.X	±0.3																			
	0.XX	±0.13																			
	0.XXX	±0.05																			
angular	0°	±2°																			

## X-ON Electronics

Largest Supplier of Electrical and Electronic Components

*Click to view similar products for [Headers & Wire Housings](#) category:*

*Click to view products by [Amphenol](#) manufacturer:*

Other Similar products are found below :

[95000-104TRLF](#) [10135584-644402LF](#) [DF62W-EP2022PCA](#) [95000-106TRLF](#) [DF62W-2022SCA](#) [DF62W-EP2022PC](#) [2203348](#) [DF62W-2022SC](#) [1084018](#) [1029039](#) [1084017](#) [802-10-012-10-002000](#) [1112640](#) [1112639](#) [891-007-9SS-BST1T](#) [000-34000](#) [0008550134](#) [0009482033](#) [0009507031](#) [57102-F02-18ULF](#) [57102-S06-03LF](#) [57202-S52-04LF](#) [PCN6-15S-2.5E](#) [0039019024](#) [58102-G61-06LF](#) [582553-1](#) [0009485154](#) [0009508121](#) [0022285053](#) [0050291907](#) [018731A](#) [LY20-4P-DT1-P1E-BR](#) [02.125.8002.8](#) [60101931](#) [60598-1 \(Cut Strip\)](#) [M1625-3R/100](#) [61062-3](#) [61082-181009](#) [CSU011177004](#) [636-1427](#) [638009-1](#) [641938-9](#) [641991-4](#) [644168-1](#) [644827-2](#) [647662-1](#) [65039-019ELF](#) [65692-001LF](#) [65781-018](#) [65781-047](#)