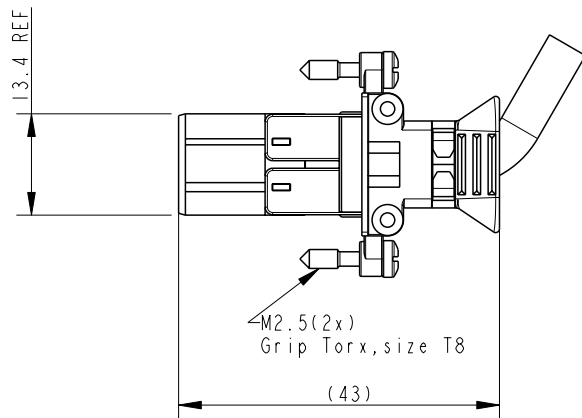
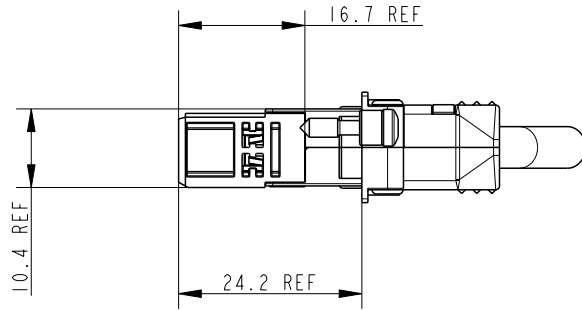
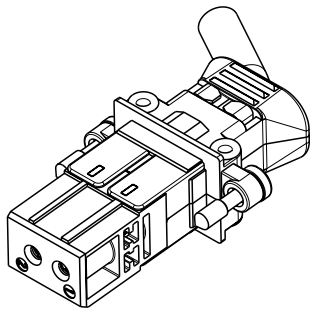
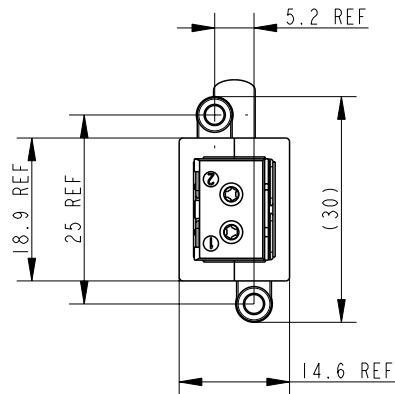
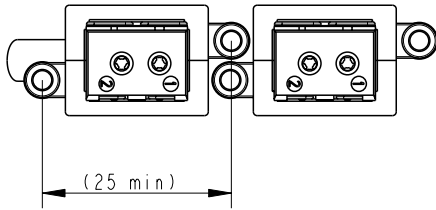


PART NUMBER
72824-X01LF



Performance level	
72824-1XXLF	Telcordia CO.
72824-2XXLF	Customer Special

Mounting information



PRODUCT SPECIFICATION:GS-12-308
PACKAGING SPECIFICATION:EUR-14-008
APPLICATION SPECIFICATION:GS-20-053

NOTES:

- 1 BODY MATERIAL.....30% GLASS FILLED PBT
FLAME RETARDANT ACC. UL 94-V0
- 2 COVER MATERIAL.....ZINC ALLOY
- 3 TERMINAL MATERIAL.....BERYLLIUM COPPER
- 4 CLAMP MATERIAL.....STAINLESS STEEL
- 5 SCREW MATERIAL.....STEEL
- 6 SPLIT PIN MATERIAL.....STAINLESS STEEL
- 7 TUBULAR RIVET MATERIAL..BRASS
- 8 PRODUCTMARKING.....PARTNUMBER & MANUFACT. DATE

ROHS INFORMATIONS: -The "LF" product meets European union Directives and other country regulations as described in GS-22-008. -The product is not intended to be exposed to a manufacturing solder process. -Packaging spec: see GS-14-920.

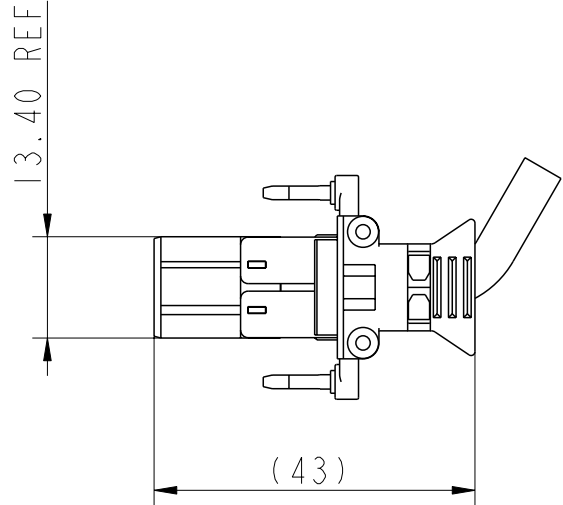
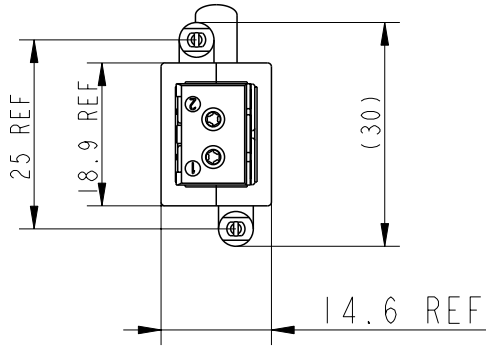
rev	ecn no	dr	date
L	LS07-0255	JTA	2007/11/12
-	-	-	-
F	LS05-0025	JTA	2005/02/08
G	LS05-0038	JTA	2005/04/27
H	LS05-0086	JTA	2005/09/30
J	LS06-0084	LGO	2006-07-01
K	LS07-0044	JTA	2007/02/15

www.fciconnect.com		surface 0.8 / ISO 1302	tolerance std ISO 406 ISO 1101	projection	mm
		TOLERANCES UNLESS OTHERWISE SPECIFIED			
Dr	Stroeykens	2002/06/30	ANGULAR	0.X	±0.3
Eng	G.Nys	2002/06/30	LINEAR	0.XX	±0.1
Chr	W.Panis	2002/06/30	0° ±2°	0.XXX	±0.05
Appr	W.Panis	2002/06/30	Product family	SOFIX	Spec ref --
	title SOFIX POWER CC	dwg no 72824_C		Rev. L	
	CTW TERMINALS	SEE TABLE		CUSTOMER COPY	
	catalog no			sheet 1 of 4	

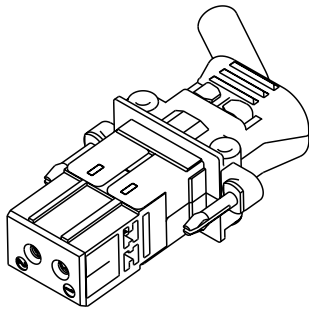
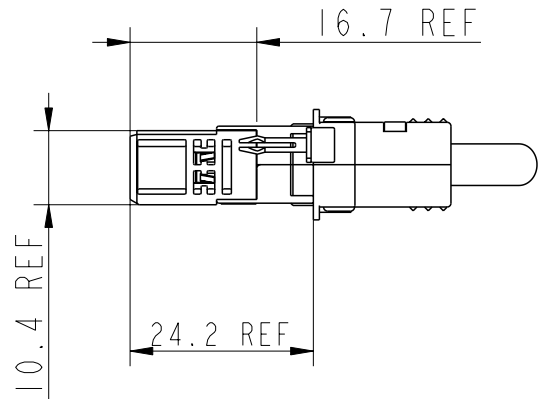
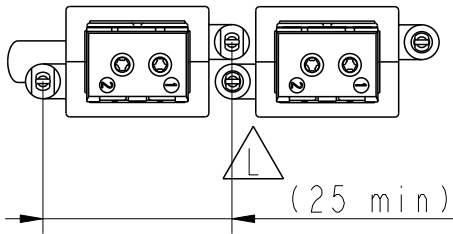


Copyright FCI.

PART NUMBER
72824-X02LF



Mounting information

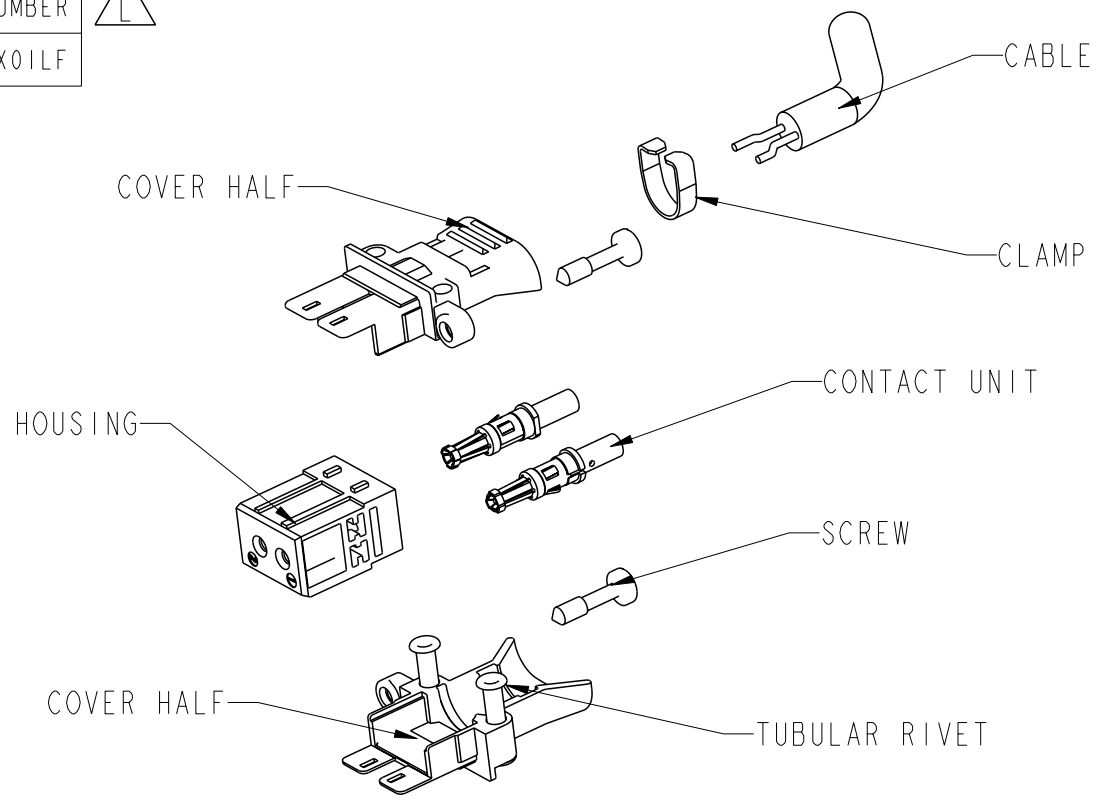


Copyright FCI.

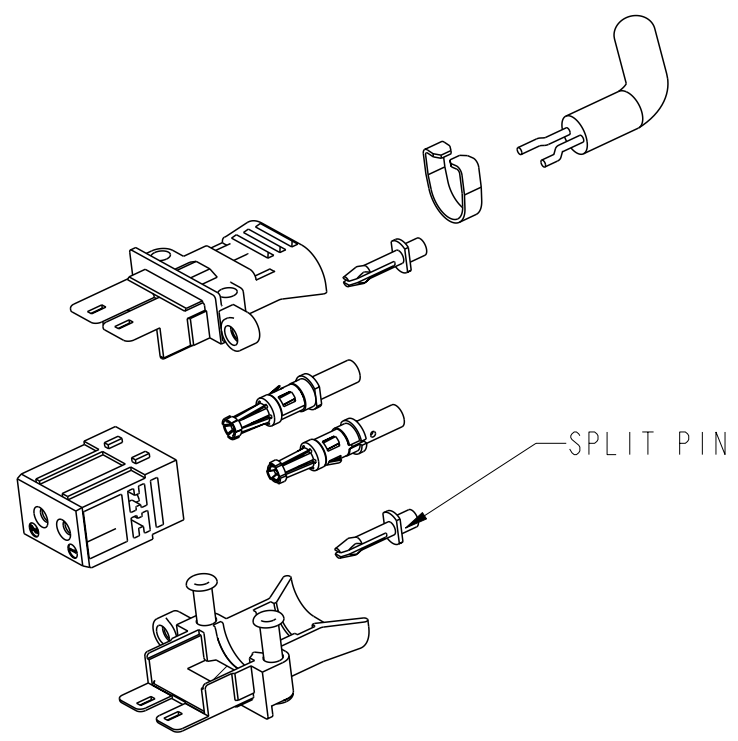
www.fciconnect.com			surface 0.8 / ISO 1302		tolerance std ISO 406 ISO 1101		projection		mm	
			TOLERANCES UNLESS OTHERWISE SPECIFIED							
Dr	Stroeykens	2002/06/30	ANGULAR	LINEAR	0.X	±0.3	size	A4	Scale	
Eng	G.Nys	2002/06/30			0.XX	±0.1			1:1	
Chr	W.Panis	2002/06/30			0.XXX	±0.05			ECN	LS07-0255
Appr	W.Panis	2002/06/30	Product family			SOFIX	Spec ref		--	
		title SOFIX POWER CC				dwg no		72824_C		Rev.
		CTW TERMINALS								L
		catalog no				CUSTOMER COPY		sheet 2 of 4		

REV F - 2006-04-17

PART NUMBER	△
72824-X01LF	



PART NUMBER	△
72824-X02LF	



Copyright FCI.

www.fciconnect.com			surface 0.8 / ISO 1302 ✓		tolerance std ISO 406 ISO 1101		projection		mm		
TOLERANCES UNLESS OTHERWISE SPECIFIED											
Dr	Stroeykens	2002/06/30	ANGULAR	LINEAR	0.X	±0.3	size	A4	Scale 1:1		
Eng	G.Nys	2002/06/30			0.XX	±0.1			ECN LS07-0255		
Chr	W.Panis	2002/06/30	0° ±4°		0.XXX	±0.05	Spec ref		--		
Appr	W.Panis	2002/06/30	Product family			SOFIX					
			title SOFIX POWER CC				dwg no 72824_C		Rev. L		
			CTW TERMINALS								
catalog no				SEE TABLE		CUSTOMER COPY		sheet 3 of 4			

REV F - 2006-04-17

-	KIT	72824-X01LF	72824-X02LF	QTY
Consists of:				
-	Housing			1
-	Contact unit			2
-	Cover half			1
-	Cover half			1
-	Tubular rivet			2
-	Screw			2
-	Split pin			2
-	Clamp			1



Cable: 2 conductor cable:
 - Conductor diameter: $\varnothing 2\text{mm}$
 - Conductor section: 2.5mm^2
 - Overall diameter: $\varnothing 8.0\text{mm}$

Other AWG available upon request

Dimension with oval around are critical dimensions including any attached geometrical tolerance. Other features or stand-alone geometrical tolerances being critical have a note "CRITICAL FEATURE" below the item
 A symbol $\triangle x$ (x: drawing current revision) will be next to any dimension, view or note which has been modified with the current drawing revision



Copyright FCI.

www.fciconnect.com		surface 0.8 / ISO 1302		tolerance std ISO 406 ISO 1101		projection		mm	
TOLERANCES UNLESS OTHERWISE SPECIFIED				size A4		Scale 1:1			
Dr	Stroeykens	2002/06/30	ANGULAR	LINEAR	0.X	± 0.3	ECN LS07-0255		
Eng	G.Nys	2002/06/30			0.XX	± 0.1	Spec ref --		
Chr	W.Panis	2002/06/30	0° $\pm y^\circ$		0.XXX	± 0.05	Product family SOFIX		
Appr	W.Panis	2002/06/30	Product family SOFIX			Spec ref --			
		title SOFIX POWER CC				dwg no 72824_C		Rev. L	
		CTW TERMINALS				CUSTOMER COPY		sheet 4 of 4	
		catalog no							

REV F - 2006-04-17

X-ON Electronics

Largest Supplier of Electrical and Electronic Components

Click to view similar products for [I/O Connectors](#) category:

Click to view products by [Amphenol](#) manufacturer:

Other Similar products are found below :

[571763P](#) [58098-0628](#) [72.250.1628.2](#) [72.250.2428.2](#) [74720-0505](#) [76.350.0729.0](#) [76871-1403](#) [FCN-244F080-G/1](#) [FCN-260A9920](#) [MP-5T180MUNNA-005](#) [PCR-E36PM](#) [PCS-XE26MA+](#) [G38A71314B](#) [1571250010](#) [157-22500-3](#) [MS3471L14-19P L/C](#) [192991-0703](#) [172501-4002](#) [172501-6002](#) [FCN-260C008-A/L0](#) [FCN-260C024-AL0](#) [FCN-261Z008](#) [2000314-1](#) [200331-1](#) [PCR-E36FC+](#) [PCS-E28FS+](#) [PCS-XE26SLFD+](#) [PCS-XE26SLFDT+](#) [G730VID08BDC24](#) [HDR-E14MSG1+](#) [U90B2054081210](#) [UE86K842720321](#) [38113800006](#)
[DP3AR020WQ1R200](#) [Z4.102.0680.0](#) [500-1040](#) [500-1052](#) [500-1054](#) [ZP-4008-66L](#) [0709821002](#) [DX40-20P\(55\)](#) [5554841-1](#) [MS3474W18-8P-LC*](#) [SM3106F14S-7S-LC](#) [U90B3054061110](#) [U65-E04-4020](#) [ZPF000000000097891](#) [557-262M2-06C](#) [747360449](#) [10099439-003C-TRLF](#)