

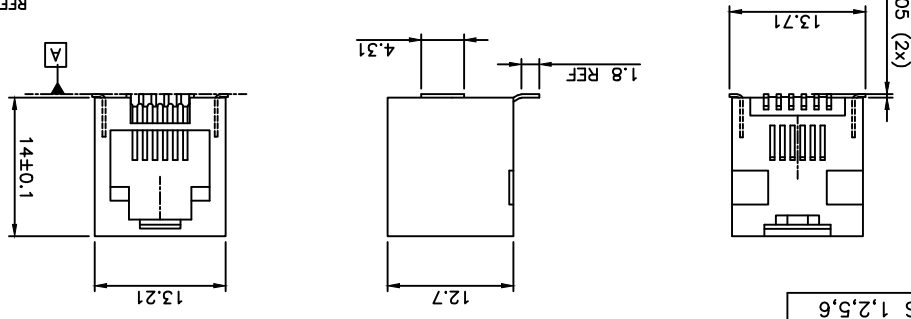
PRODUCT NUMBER
73305-XXXXF

PLATING OPTION
1= GXT 0.76 μ m
3= GOLD 0.76 μ m
5= GOLD 1.27 μ m

PACKAGE OPTION
1= TAPE ON REEL
2= TUBE
3= TAPE ON REEL
IN PLASTIC BAG

TERMINAL LOADING
1= FULLY LOADED
2= POS 2,3,4,5
3= POS 1,2,5,6

WHEN NEEDED, SUFFIX LETTER "LF" INDICATES THE PRODUCT IS ROHS COMPATIBLE, SEE NOTE 4.



REFERENCE PLAN
DEFINED BY THE
2 HOLD DOWN
BEARING SURFACE

NOTES:
1- MATERIAL: HOUSING: HIGH TEMP. PCT, COLOUR BLACK.
TERMINAL: PHOSPHOR BRONZE.
CONTACT AREA: SEE TABLE.

2 - PLATING: SOLDER TAIL : 90/10 SnPb 2 μ m MIN.
WHEN SUFFIX "LF" IS REQUIRED, 2 μ m MIN MATTE TIN OVER 1.27 MIN NI IS SUPPLIED INSTEAD OF SnPb.
NO RAW EDGES EXEPT SOLDER TAIL TIPS
3 - SOLDER TAILS COPLANARITY : 0.1 mm
4 - ROHS COMPATIBLE PRODUCT SPECIFICATIONS

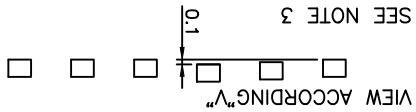
a - PLATING:
- "LF" MEANS THE PRODUCT IS LEAD-FREE, 2 μ m MINIMUM MATTE TIN OVER 1.27 μ m MINIMUM NICKEL UNDERPLATE.
b - MANUFACTURING PROCESS COMPATIBILITY
- THE HOUSING WILL WITHSTAND EXPOSURE TO 245°C PEAK TEMPERATURE FOR 30 SECONDS MAX IN A CONVECTION, INFRA-RED OR VAPOR PHASE OR REFLOW OVEN.

c - LABELING:
- MEETS PACKAGING SPECS AS PER GS-14-920
d - LEGAL STATEMENT: SEE GS-47-0004
5 - PACKAGING FOR OPTION 3 : EACH REEL IS WRAPPED INTO A PLASTIC BAG TO PROTECT FROM MOISTURE DURING STACKING TIME.

STATUS:Released Printed: Sep 10, 2015
PDS: Rev 1:1

mat'l. code		ISO 1302	surface tolerance	ISO 406 ISO 1101	projection	product family	MOD JACK
ltr	ecn no	dr	date	tolerances unless otherwise specified	±0.13	mm	scale 2:1
H	F06-0240	DLE	06.07.18	angles	±2°		
J	F09-0070	LSA	09.07.23	linear			
K	B-15798	JFA	13.09.09				
L	F-21888	AMA	15.09.09				
F	F04-0363	DLE	04.10.18	engnr	P NIZZI	04.10.18	
G	F05-0247	DLE	05.09.12	appd	P.NZ	04.10.18	
sheet index		revision		L E B		1 2 3	
CUSTOMER Drawing		type		73305		sheet 1 of 3 size A3	

CUSTOMER COPY FOR REFERENCE ONLY

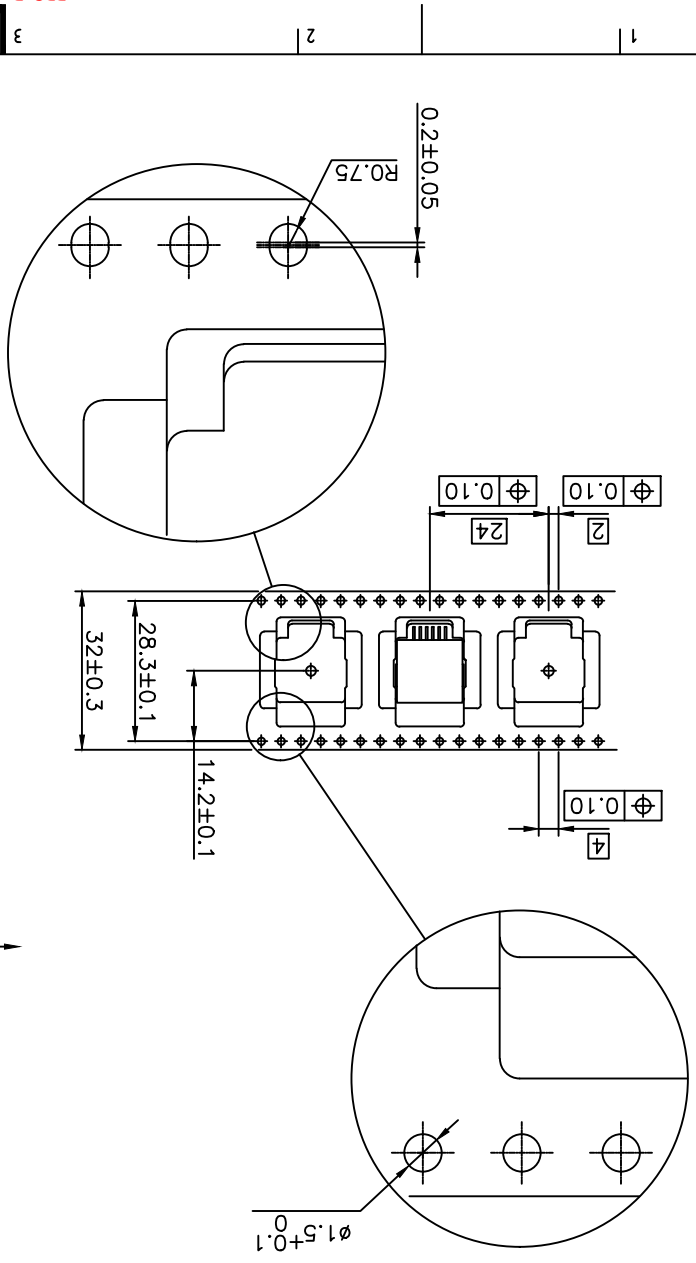


FCIconnect.com

Copyright FCI

form: A3

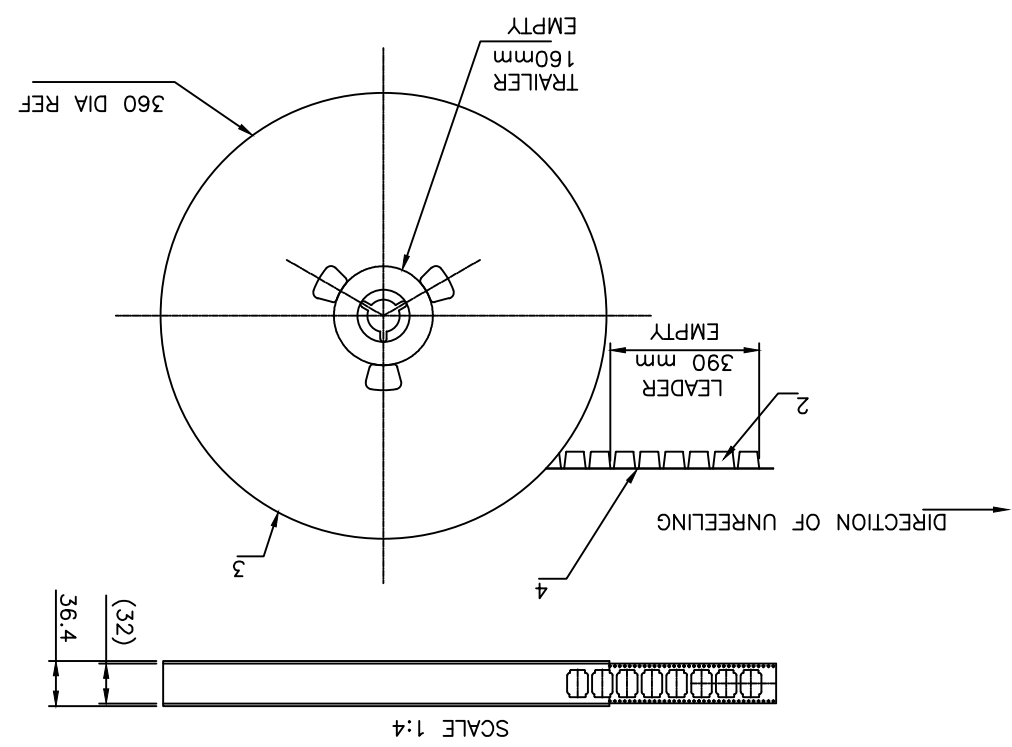
PRODUCT NUMBER
SEE SHEET 1



mat'l. code		ISO 1302	surface tolerance	ISO 406 ISO 1001	projection	product family	MOD-JACK
litr ecn no		dr	date		tolerances unless otherwise specified		
D F80620		DLE	98.11.26		angles		
E F06-0240		DLE	06.07.18		linear		
sheet revision		index		sheet			
appd P NZ		06.07.18		type			
chr D LE		06.07.18		CUSTOMER Drawing			
engr P NIZZI		06.07.18		dwg no			
dr D LEGRAND		06.07.18		sheet 2 of 3 size			
scale 1:1		mm		title			
SMT RA JACK		6 POS. OUTSIDE		73305			
A3		CUSTOMER Drawing		FCI			

1 - IN ACCORDANCE WITH EIA-481 AND IEC 296-3

CUSTOMER COPY FOR REFERENCE ONLY



LTR	PART NAME	QTY
1	PRODUCT	230
2	TAPE	1
3	REEL	1
4	COVER TAPE	1

SCALE 1:4

X-ON Electronics

Largest Supplier of Electrical and Electronic Components

Click to view similar products for [Modular Connectors](#) / [Ethernet Connectors](#) category:

Click to view products by [Amphenol](#) manufacturer:

Other Similar products are found below :

[RJE231881317T](#) [MP1010RX-1000](#) [MP44RX-1000](#) [GAX-3-66](#) [GAX-8-62](#) [93606-0253](#) [GD-A-44](#) [GDCX-PA-66-50](#) [GDCX-PN-64](#) [GDCX-PN-66](#) [GDCX-PN-66-50](#) [GDLX-A-66](#) [GDLX-A-88](#) [GDLX-N-66](#) [GDLX-S-88K](#) [GDTX-S-88-50](#) [GDX-PA-1010](#) [GLX-N-1010M-BLK](#) [GLX-N-44M](#) [GLX-S-88M-BLK](#) [GMX-N-1010](#) [GMX-S-1010](#) [GMX-S-66](#) [GMX-SMT2-N-1010](#) [GMX-SMT2-N-64-50](#) [GMX-SMT2-S6-88](#) [GMX-SMT4-N-88](#) [GPX-2-64](#) [GRT1-BT1-5](#) [GSGX-N-2-88](#) [GSX-NS2-88-3.05](#) [GSX-NS2-88-3.05-50](#) [GSX-NS-88-3.05-30](#) [GSX-NS-88-3.05-50](#) [GSX-NS-88-3.68](#) [1-1775629-2](#) [GWLX-S-88-GR](#) [GWLX-S9-88-YG](#) [1300500326](#) [1300500227](#) [1300530003](#) [1300570002](#) [1324640-4](#) [RJ11FTVC2G](#) [RJ11FTVC2N](#) [RJFTVX2SA1G](#) [132764-001](#) [1400000](#) [1413176](#) [1413235](#)