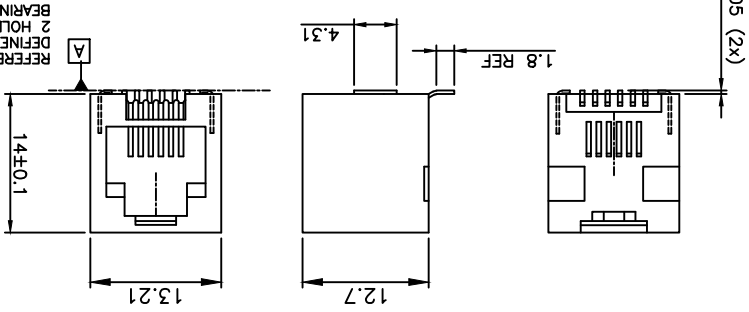


PRODUCT NUMBER
73334-XXLF

PLATING OPTION	1 = GXT 0.76 μ m
	3 = GOLD 0.76 μ m
	5 = GOLD 1.27 μ m
PACKAGE OPTION	1 = TAPE ON REEL
	2 = TUBE
	3 = TAPE ON REEL
	IN PLASTIC BAG

TERMINAL LOADING	1 = FULLY LOADED
	2 = POS 2,3,4,5
	3 = POS 1,2,5,6

WHEN NEEDED, SUFFIX LETTER "LF" INDICATES THE PRODUCT IS ROHS COMPATIBLE, SEE NOTE 4.



REFERENCE PLAN
2 HOLD DOWN
BEARING SURFACE

NOTES:
1 - MATERIAL: HOUSING: HIGH TEMP. PCT, COLOUR BLACK.
TERMINAL: PHOSPHOR BRONZE.
PLATING: CONTACT AREA: SEE TABLE.
SOLDER TAIL : 90/10 SnPb 2 μ m MIN.
WHEN SUFFIX "LF" IS REQUIRED, 2 μ m MIN MATTE TIN OVER 1.27 MIN NI IS SUPPLIED INSTEAD OF SnPb.
NO RAW EDGES EXCEPT SOLDER TAIL TIPS
3 - SOLDER TAILS COPLANARITY : 0.1 mm
4 - ROHS COMPATIBLE PRODUCT SPECIFICATIONS

d - PLATING:
- "LF" MEANS THE PRODUCT IS LEAD-FREE, 2 μ m MINIMUM MATTE TIN OVER 1.27 μ m MINIMUM NICKEL UNDERPLATE.
b - MANUFACTURING PROCESS COMPATIBILITY
- THE HOUSING WILL WITHSTAND EXPOSURE TO 245°C PEAK TEMPERATURE FOR 30 SECONDS MAX IN A CONVECTION, INFRA-RED OR VAPOR PHASE OR REFLOW OVEN.
c - LABELING:
- MEETS PACKAGING SPECS AS PER GS-14-920
d - LEGAL STATEMENT: SEE GS-47-0004
5 - PACKAGING FOR OPTION 3 : EACH REEL IS WRAPPED INTO A PLASTIC BAG TO PROTECT FROM MOISTURE DURING STACKING TIME.

TO PROTECT FROM MOISTURE DURING STACKING TIME.

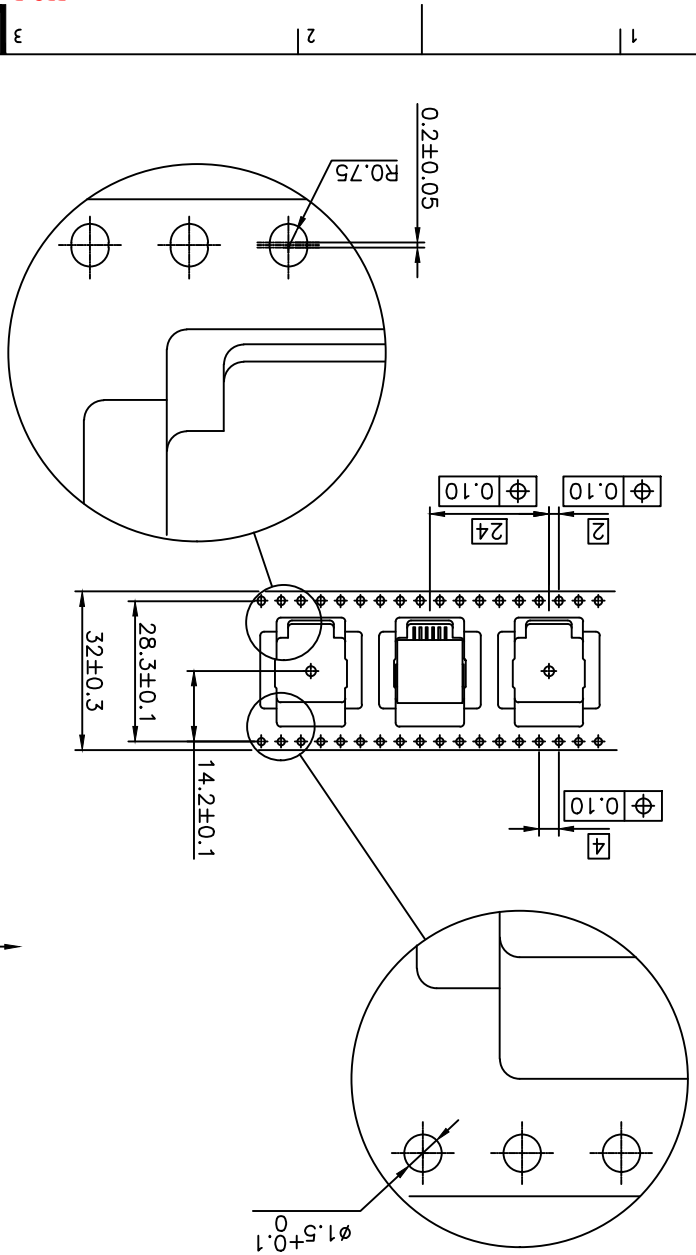
CUSTOMER COPY FOR REFERENCE ONLY

mat'l. code	ISO 1302	surface tolerance	ISO 406 ISO 1001	projection	product family	MODULAR JACK
ltr ecn no	dr	date	tolerances unless otherwise specified	angles	linear	mm
H	F10-0238	APA	10.10.25	±2°	±2°	mm
J	B-15798	JFA	13.09.09			mm
K	F-21888	AMA	15.09.09			mm
dr	D	LEGRAND	04.10.19			mm
E	F04-0363	DLE	04.10.19	engr	P	NIZZI
F	F05-0247	DLE	05.09.12	chr	D	LEGRAND
G	F06-0240	DLE	06.07.18	appd	P	NZ
sheet	revision	K	D	B		
1						
2						
3						

type	CUSTOMER Drawing
dwg no	73334
sheet 1 of 3 size	A3

SMT RA JACK
6 POS INSIDE

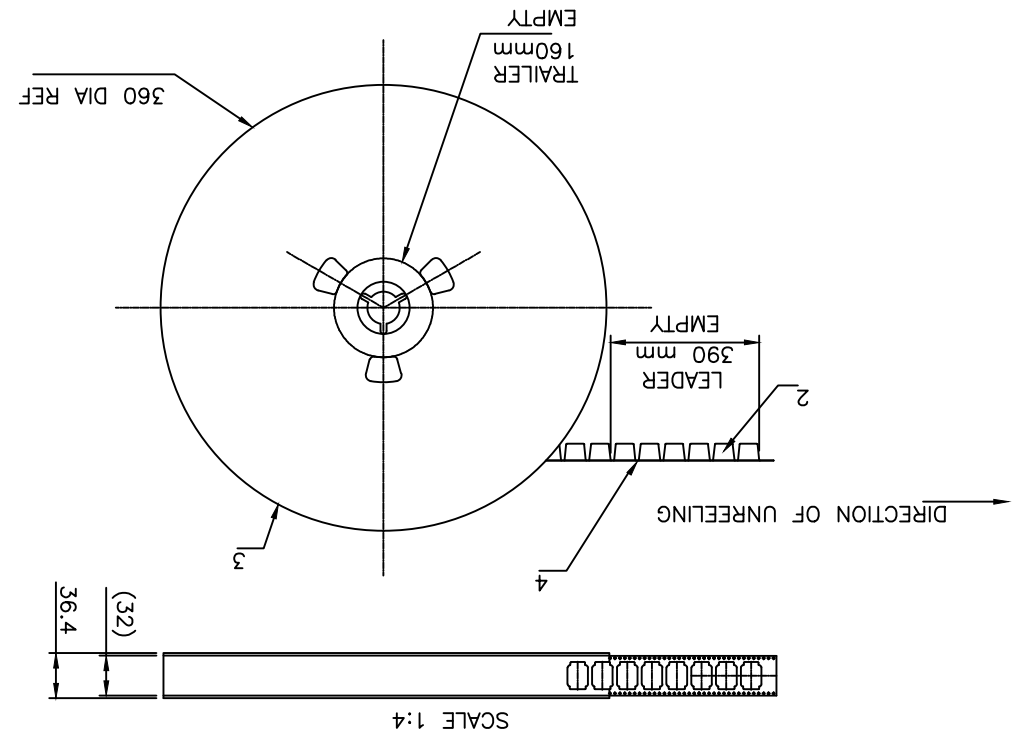
PRODUCT NUMBER
SEE SHEET 1



mat'l. code		ISO 1302	surface tolerance	ISO 406 ISO 1101	projection	product family	MOD-JACK
litr ecn no		dr	date		tolerances unless otherwise specified		
C F80620		D/E	98.11.26		angles		
D F06-0240		D/E	06.07.18		linear		
dr		D LEGRAND		06.07.18	scale 1:1		
engr		P NIZZI		06.07.18	mm		
chr		D LE		06.07.18	title		
appd		P NZ		06.07.18	SMT RA JACK		
sheet		revision		type			
index		sheet		CUSTOMER Drawing			

CUSTOMER COPY FOR REFERENCE ONLY

1 - IN ACCORDANCE WITH EIA-481 AND IEC 296-3



SCALE 1:4

LTR	PART NAME	QTY
1	PRODUCT	230
2	TAPE	1
3	REEL	1
4	COVER TAPE	1

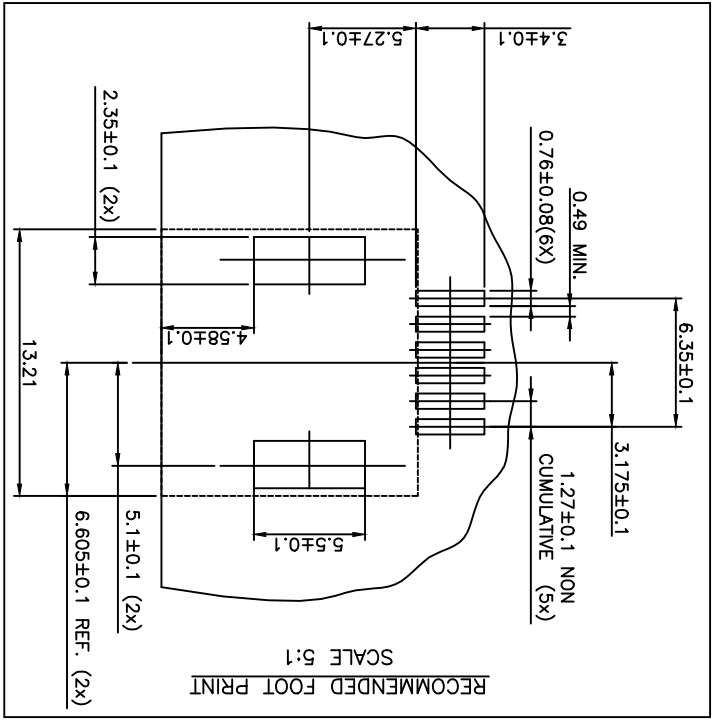


FCIconnect.com

Copyright FCI

mat'l. code		surface	ISO 1302	ISO 406	ISO 1001
tolerance		tolerances unless otherwise specified	±0.13		
projection		mm			
product family		MODULAR JACK			
title		SMT RA JACK			
date		04.10.19			
lfr ecn no		A F04-0363 DLE			
lfr ecn no		B F06-0240 DLE			
angles		linear			
±Z		±Z			
dr		D LEGRAND	04.10.19		
engr		P NIZZI	04.10.19		
chr		D LEGRAND	04.10.19		
appd		P NZ	04.10.19		
sheet revision					
sheet					
index					

CUSTOMER COPY FOR REFERENCE ONLY



type		CUSTOMER Drawing	
dwg no		73334	
sheet 3 of - size		A4	

form: A6

2

X-ON Electronics

Largest Supplier of Electrical and Electronic Components

Click to view similar products for [Modular Connectors](#) / [Ethernet Connectors](#) category:

Click to view products by [Amphenol](#) manufacturer:

Other Similar products are found below :

[RJE231881317T](#) [MP1010RX-1000](#) [MP44RX-1000](#) [GAX-3-66](#) [GAX-8-62](#) [93606-0253](#) [GD-A-44](#) [GDCX-PA-66-50](#) [GDCX-PN-64](#) [GDCX-PN-66](#) [GDCX-PN-66-50](#) [GDLX-A-66](#) [GDLX-A-88](#) [GDLX-N-66](#) [GDLX-S-88K](#) [GDTX-S-88-50](#) [GDX-PA-1010](#) [GLX-N-1010M-BLK](#) [GLX-N-44M](#) [GLX-S-88M-BLK](#) [GMX-N-1010](#) [GMX-S-1010](#) [GMX-S-66](#) [GMX-SMT2-N-1010](#) [GMX-SMT2-N-64-50](#) [GMX-SMT2-S6-88](#) [GMX-SMT4-N-88](#) [GPX-2-64](#) [GRT1-BT1-5](#) [GSGX-N-2-88](#) [GSX-NS2-88-3.05](#) [GSX-NS2-88-3.05-50](#) [GSX-NS-88-3.05-30](#) [GSX-NS-88-3.05-50](#) [GSX-NS-88-3.68](#) [1-1775629-2](#) [GWLX-S-88-GR](#) [GWLX-S9-88-YG](#) [1300500326](#) [1300500227](#) [1300530003](#) [1300570002](#) [1324640-4](#) [RJ11FTVC2G](#) [RJ11FTVC2N](#) [RJFTVX2SA1G](#) [132764-001](#) [1400000](#) [1413176](#) [1413235](#)