

7334L2622F05001LF

Lead Free Version(optional)

Plating : contact area
 2: 0.4 µm Gold
 5: 2.0 µm Gold

Number of contacts :
 2: 8 contacts ISO
 3: 16 contacts ISO + AFNOR

GENERAL:
 This L26 connector uses a "sliding" contact technology suitable for most applications.
 It has been designed for easy mounting on the PCB.

ELECTRICAL PROPERTIES:
 Insulation resistance : 5000 MΩ min
 Dielectric withstanding : 750 Vrms min
 Current carrying capacity : 10µA min. 1A max
 Contact resistance : 100mΩ max
 Card sensor type : Normally closed

MECHANICAL PROPERTIES:
 Contact Normal force : 0.6 N max (EMV Standard)
 Insertion force : 10 N max
 Extraction force : 1 N min
 Durability : 10000 card insertions with 0.4µm Gold
 According to UTE C93-421

MATERIAL:
 Housing : PBT 30 % Glass Filled, Colour Black, Rated UL94V0
 Contacts and switch : Phosphor bronze
 Plating : Nickel all over with 3µm mini on contact area
 Gold on contact area : see catalogue part number key
 Tin/Lead 3 µm mini on soldertails
FOR LEAD FREE PLATING :
 Matte Tin 3µm mini on solder tail in place of Tin/Lead
 Bare edge allowed

ENVIRONMENT:
 Operating temperature: -20°C / +70°C
 Storage temperature: -40°C / +85°C
 Printed Circuit Board thickness : 1.6mm

PACKING:
 Tray packing - 25 cnrs/tray
 - 1000 cnrs/box

REFERENCE DOCUMENTS:
 Product specification VGN 11596

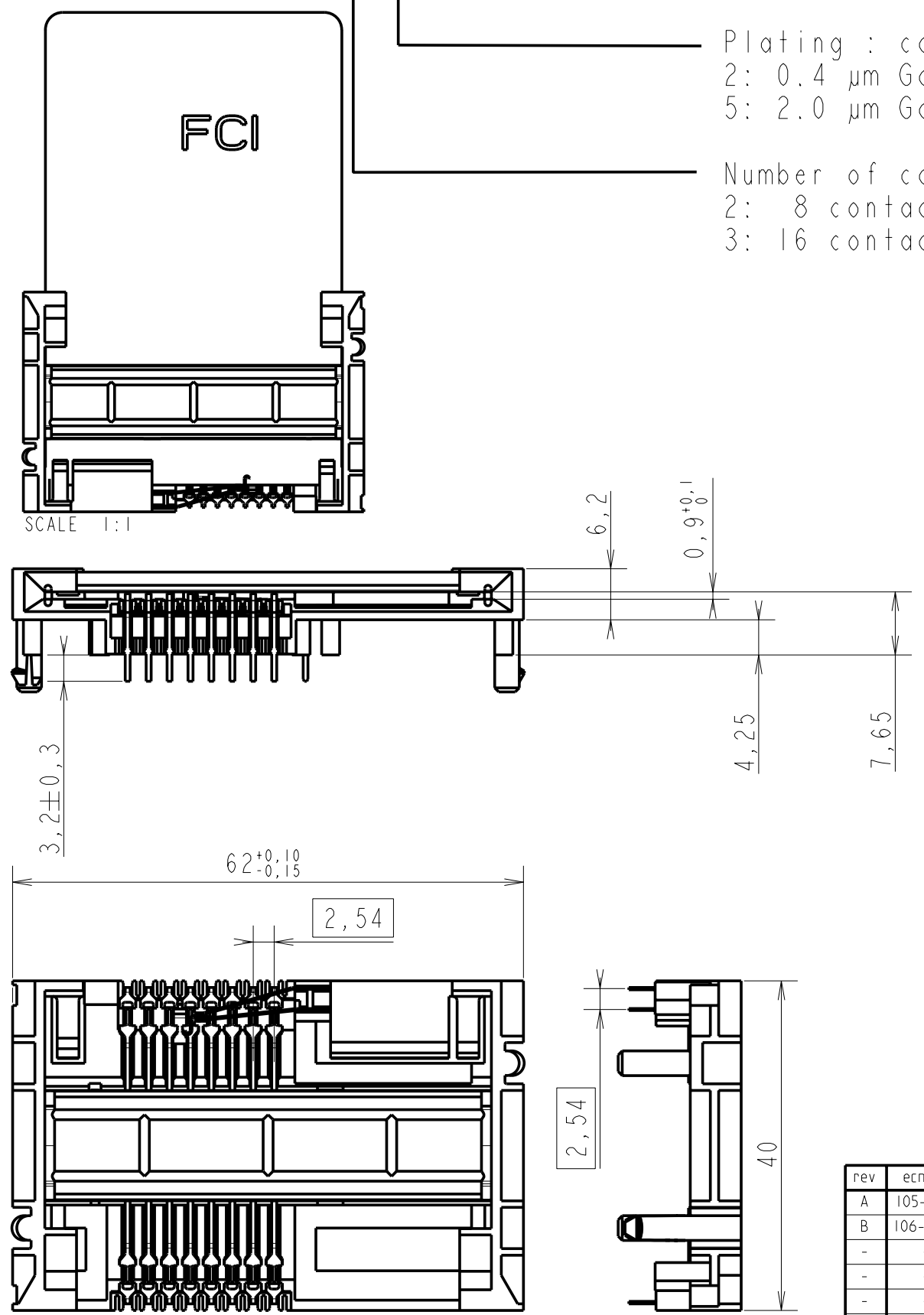
LEAD FREE VERSION:

"This product meets European Union Directives and other country regulations as described in GS-22-008"

The housing will withstand exposure to 260°C peak temperature for 10seconds in a wave solder application with a 1.6mm minimum thick circuit board

A
B
C
D

A
B
C
D



General Tolerances: ± 0.2 mm

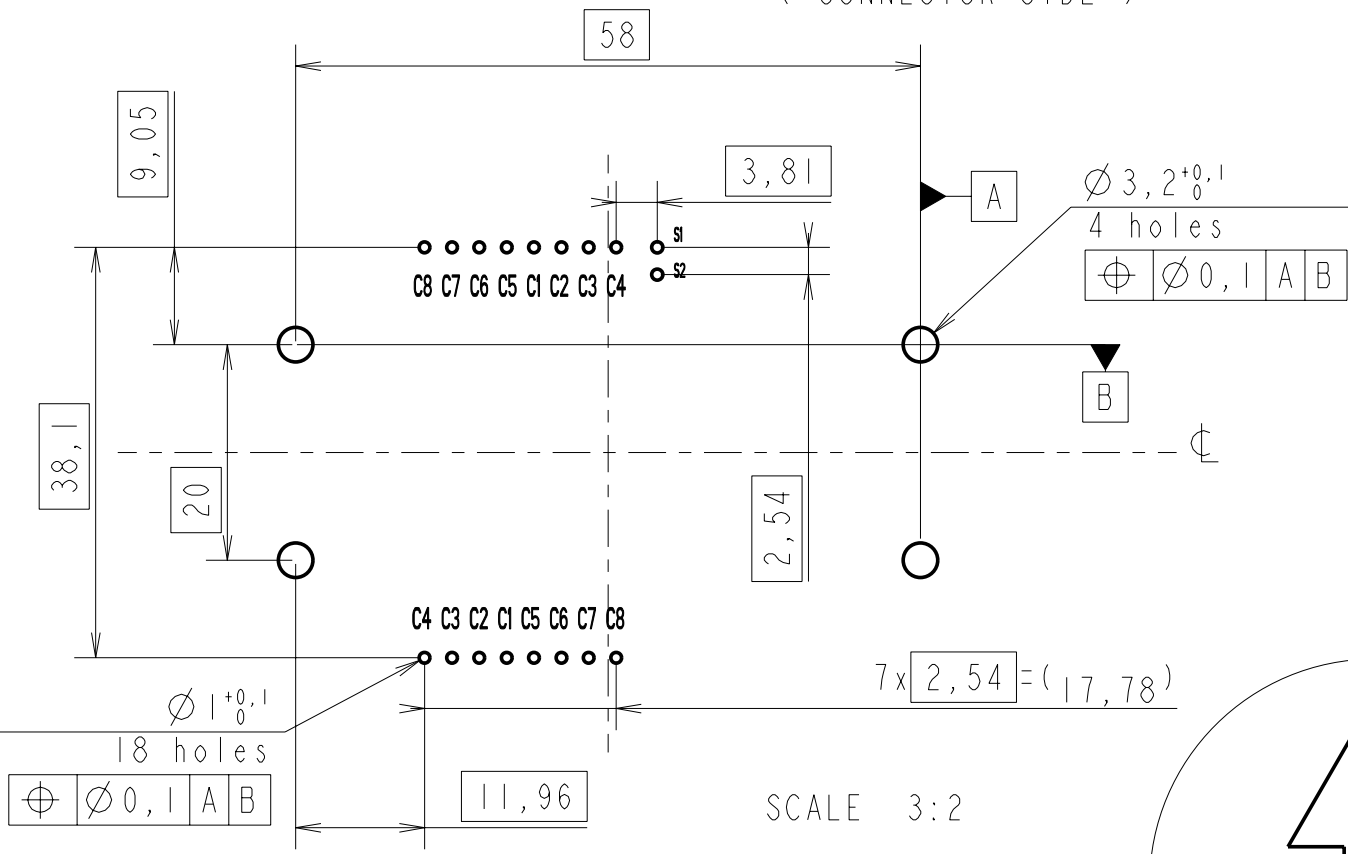
rev	ecn no	dr	date
A	105-0155	NT	'05/08/10
B	106-0084	SSC	'06/06/21
-	-	-	-
-	-	-	-
-	-	-	-
-	-	-	-

www.fciconnect.com		surface - <input checked="" type="checkbox"/> ISO 1302	tolerance std ISO 406 ISO 1101	projection	mm
TOLERANCES UNLESS OTHERWISE SPECIFIED					
Dr	N.TWENCY	'05/08/10	ANGULAR	0.X ±	size A3
Eng	DILIPTHOMAS	'05/08/10	LINEAR	0.XX ±	Scale 3:2
Chr	DILIPTHOMAS	'06/06/21	0° ±	0.XXX ±	ECN 106-0084
Appr	K.V.SIVADAS	'06/06/21	Product family	5S2F	Spec ref SEE NOTES
FCI		title L26 TYPE F05		dwg no	7334L2622F05001
-		-		Rev.	B
-		-		catalog no	SEE TABLE
-		-		CUSTOMER	sheet 1 of 2

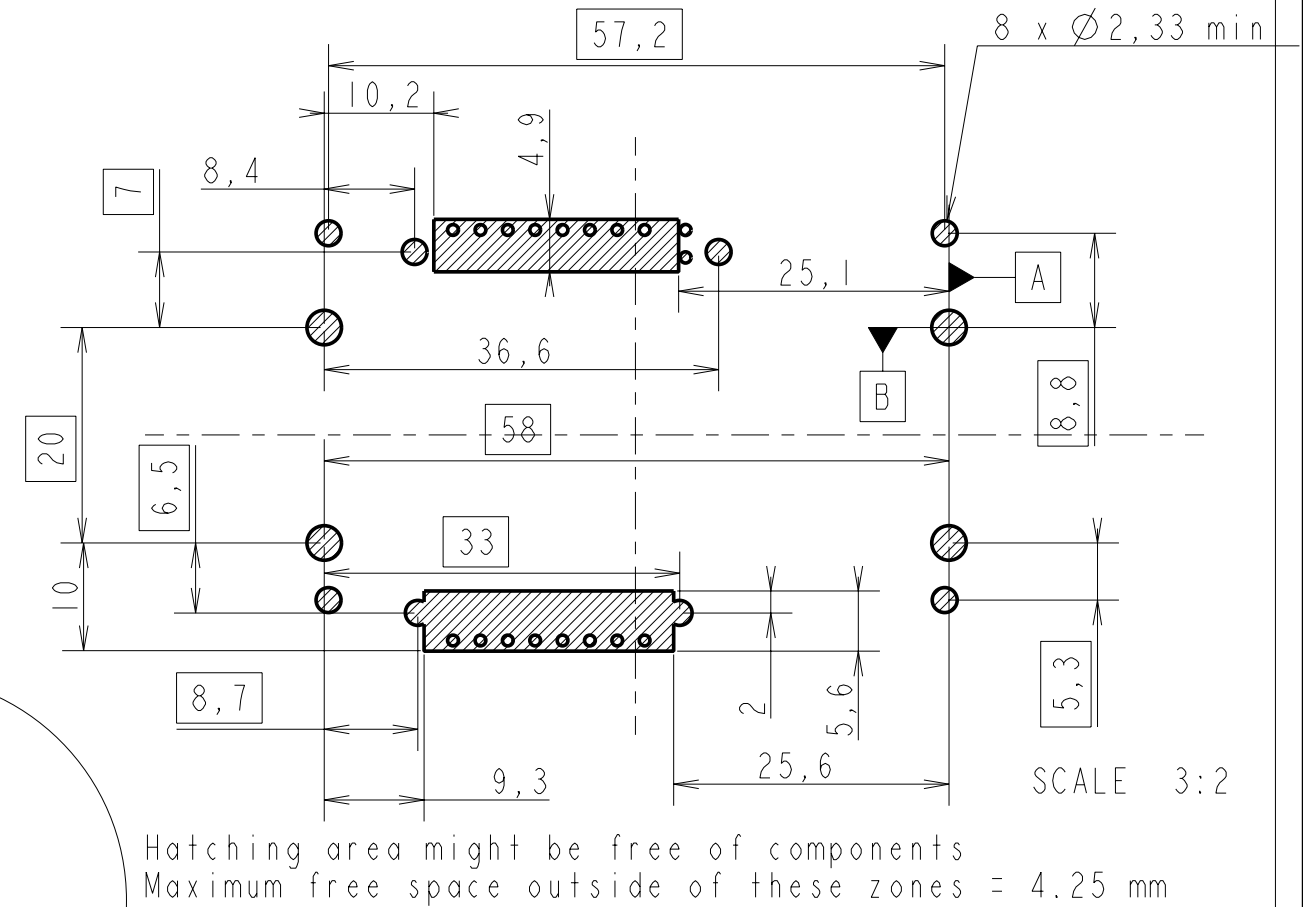


Copyright FCI.

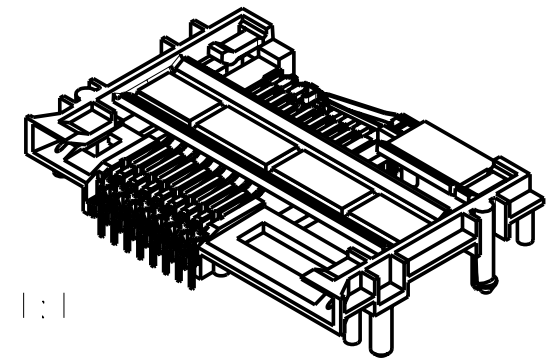
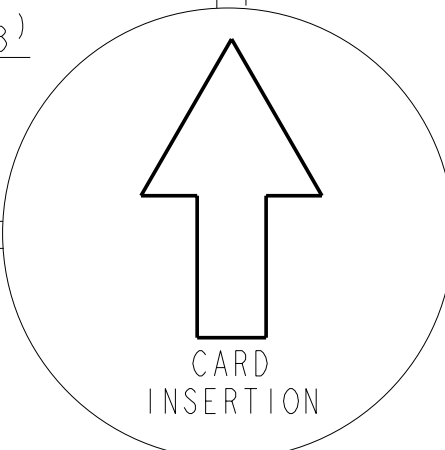
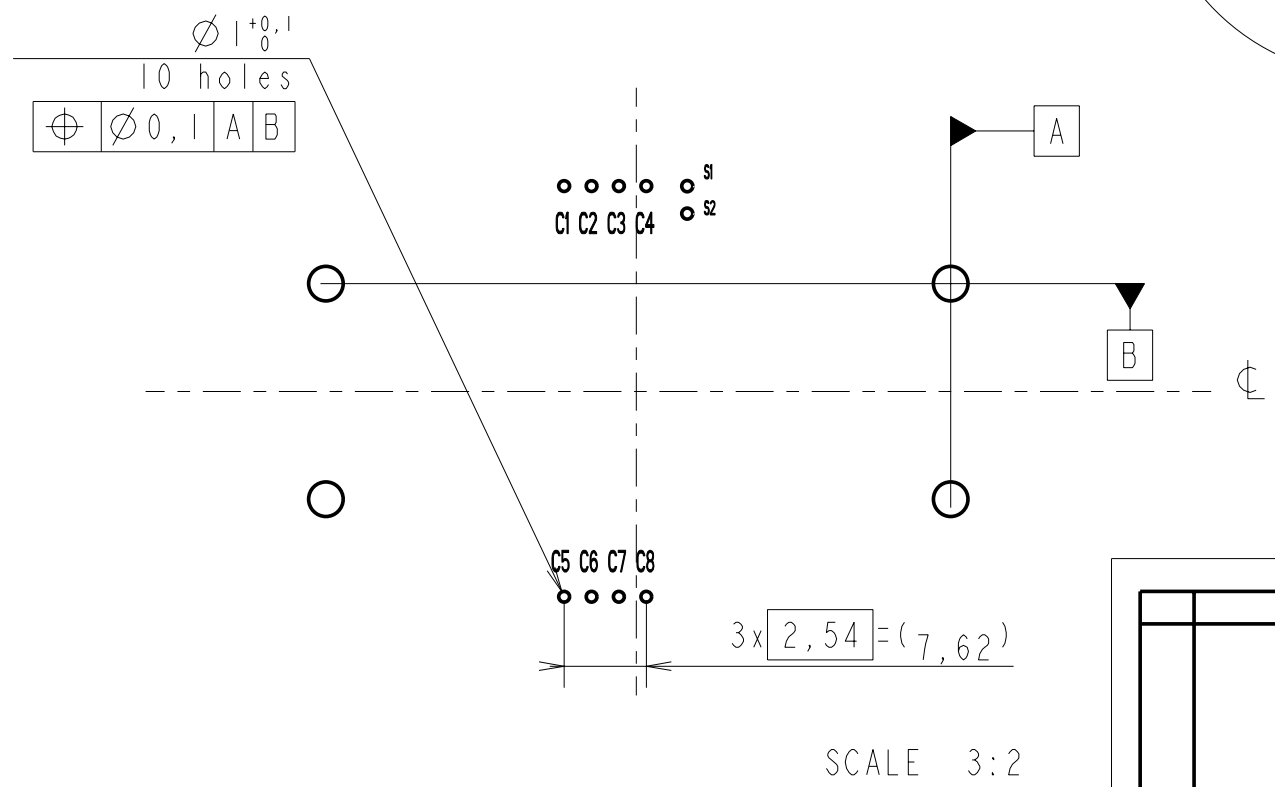
RECOMMENDED PCB LAYOUT CONTACT CONFIGURATION : ISO & AFNOR
(CONNECTOR SIDE)



STANDARD LAYOUT FOR 'KEEP OUT ZONE' (Connector Side)



RECOMMENDED PCB LAYOUT CONTACT CONFIGURATION : ISO
(CONNECTOR SIDE)



General Tolerances: ± 0.2 mm

EUROPEAN PROJECTION

www.fciconnect.com		surface - ✓ ISO 1302	tolerance std ISO 406 ISO 1101	projection mm
TOLERANCES UNLESS OTHERWISE SPECIFIED				
Dr	N.TWENCY	'05/08/10	ANGULAR	0.X ±
Eng	DILIPTHOMAS	'05/08/10	LINEAR	0.XX ±
Chr	DILIPTHOMAS	'06/06/21	0° ±	0.XXX ±
Appr	K.V.SIVADAS	'06/06/21	Product family	5S2F
title		L26 TYPE F05		Rev.
catalog no		SEE TABLE	7334L2622F05001	B
dwg no		CUSTOMER		sheet 2 of 2

Copyright FCI. FCI

X-ON Electronics

Largest Supplier of Electrical and Electronic Components

Click to view similar products for [Amphenol](#) manufacturer:

Other Similar products are found below :

[PT01SE-16-8P\(027\)](#) [PT01SE-16-8P\(476\)](#) [CTV06RW-11-2JB-LC](#) [97-3108A-22-14P](#) [10-474017-10P](#) [MS27473P14B18S](#) [TV06RW-25-90AE](#)
[CTVS06RF-25-46PB-LC](#) [PT02E10-2PW](#) [PT02E10-2PX](#) [97-3106A18-3PX-958](#) [97-3106A18-3PY-958](#) [PT06J20-24SW](#) [TV06RL-13-35AD](#)
[TV06RL-13-98BD](#) [TV06RW-25-46AE](#) [TV06RL-13-35SD-LC](#) [TV06RL-13-35SD](#) [TV06RL-13-98SD-LC](#) [TV06RL-13-98SD](#) [TVP00RW-23-](#)
[53AD](#) [PT02E10-2PW-025](#) [100-007-213-002-001](#) [2M805-002-16NF23-12PA](#) [97-3108B16S-5PW-417](#) [97-3108B16S-5PY-417](#) [CS-](#)
[DSDMDB37MF-025](#) [97-3108B16S-5PZ-417](#) [GTC02R32-17S-025-RDS](#) [PT06SE2041P](#) [CF-5A9013-04N](#) [CF-6A4615-06N](#) [GTC02R32-17S-](#)
[025-RDS-LC](#) [GTC02R32-17S-025-LC](#) [PT06SE-24-61P\(LC\)](#) [SP28W1F](#) [TV07DT-25-37P](#) [TV07DT-25-37JN-LC](#) [TV07DT-25-37S](#) [TV07DT-](#)
[25-37S-LC](#) [TV07DT-25-46P-LC](#) [97-3101A20-21P-958](#) [TV07DT-25-90P-LC](#) [TV07DT-25-46A](#) [TV07DT-25-37P-LC](#) [GTS08-36-22PZ-025-](#)
[B30](#) [PT00SP2241P](#) [CTVPS00RF-15-15AC](#) [LJT06RT-15-35PB\(023\)](#) [TVS07RF-15-15AB](#)