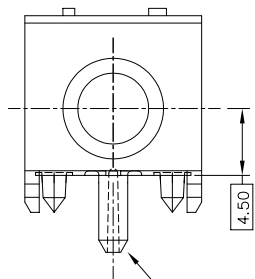
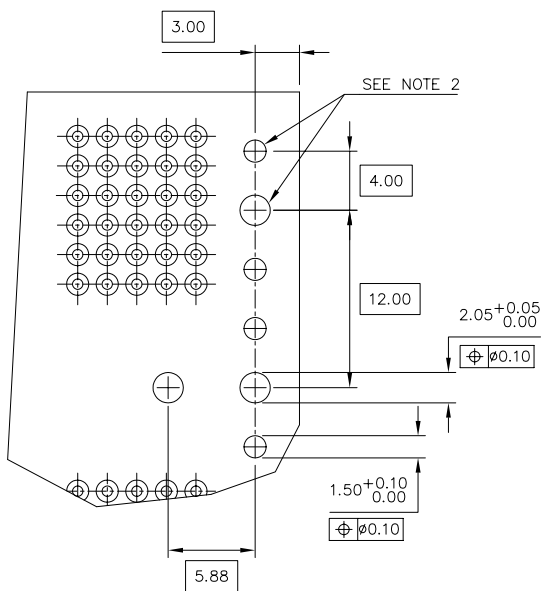
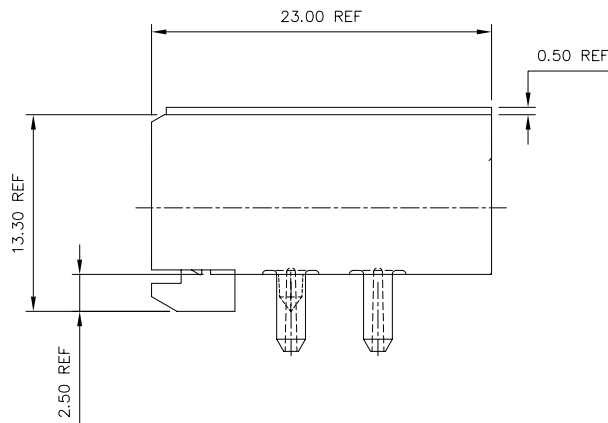


PRODUCT NO.	DESCRIPTION
73474-101	HEAT STAKE VERSION
73474-101LF	HEAT STAKE VERSION

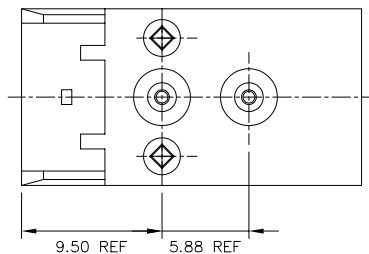
FRONT VIEW



HEAT-STAKE PEG VERSION



REQUIRED PC BOARD LAYOUT
COMPONENT SIDE



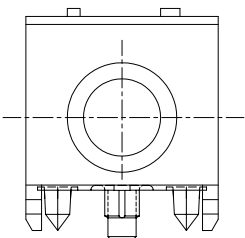
NOTES:

- HOUSING MATERIAL: LCP, 30% GLASS FILLED
FLAME RETARDANT PER UL 94V-0.
COLOR: NATURAL
- INDICATED HOLES ARE UNPLATED.
- SEE SHEET 2 FOR PRESS-PEG VERSION.
SEE SHEET 3 FOR SCREW-DOWN VERSION.
- THE PRODUCTS WHERE THE PART NUMBER ENDS IN "LF" MEET THE EUROPEAN UNION DIRECTIVES AND OTHER COUNTRY REGULATIONS AS DESCRIBED IN GS-22-008.
ALL PRODUCTS WILL WITHSTAND EXPOSURE TO 260°C FOR 60 SECONDS IN A CONVECTION, INFRA-RED OR VAPOR PHASE REFLOW OVEN.

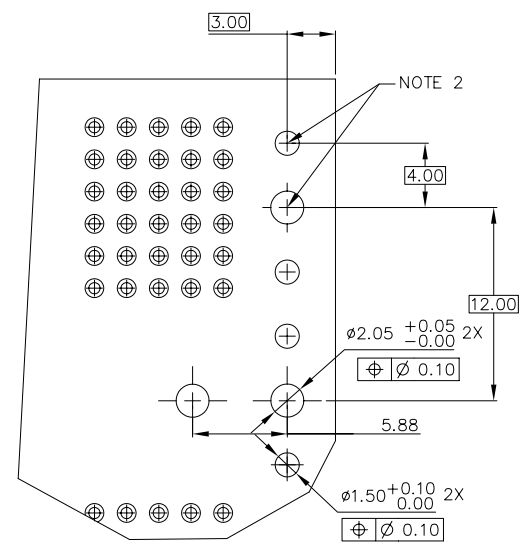
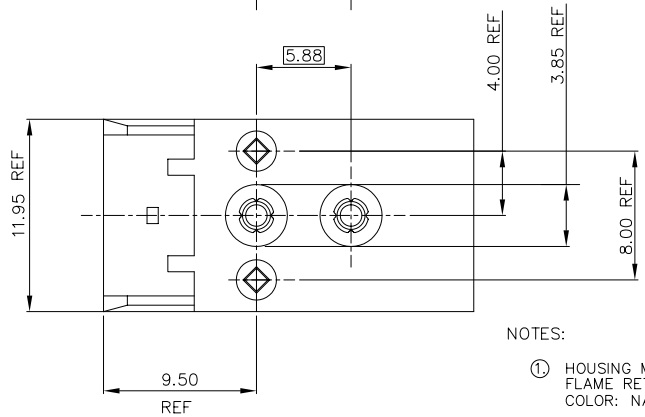
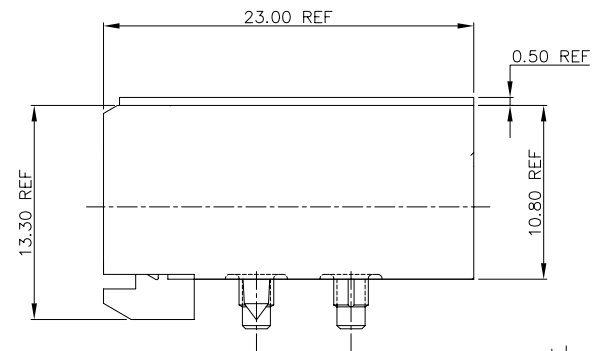
mat'l. code		surface		tolerance		projection		product family	
SEE NOTES		ISO 1302 ✓		ISO 406 ISO 1101		mm		METRAL ACC	
ltr	ecn	no	dr	date	tolerances unless otherwise specified		title		
G	v11668	LSS	6/12/01		angles	linear	RECEPTACLE GUIDE MODULE, 5 ROW		
H	v12868	CGD	1/02/02				mm		
J	v05-0007	TAB	1/11/05		σ±2'		scale 1:1		
K	v05-0223	TAB	3/11/05	dr	M. FETROW	5/19/97	dwg no		
L	v05-0730	DAI	8/04/05	enr	c. PENDLETON	5/19/97	sheet 1 of 5		
M	m05-0231	MHT	10/28/05	chr	c. PENDLETON	5/19/97	size		
N	M06-0286	MNR	7/27/06	app	c. PENDLETON	5/19/97	A3		
sheet		revision		N		N		type	
index		sheet		1		2		Product Customer Drawing	

PRODUCT NO.	DESCRIPTION
73474-201	PRESS-PEG VERSION
73474-201LF	PRESS-PEG VERSION

FRONT VIEW



PRESS PEG VERSION



NOTE 2

NOTES:

- ① HOUSING MATERIAL: LCP, 30% GLASS FILLED
FLAME RETARDANT PER UL 94V-0.
COLOR: NATURAL
- ② INDICATED HOLES ARE UNPLATED.
- 3. THIS SHEET SHOWS DIMENSIONS OF OPTIONAL PRESS-PEG ONLY.
FOR ALL OTHER DIMENSIONS AND REQUIREMENTS SEE SHEET 1.
FOR HEAT-STAKE VERSION SEE SHEET 1, FOR SCREW-DOWN
VERSION, SEE SHEET 3.

REQUIRED PC BOARD LAYOUT
COMPONENT SIDE

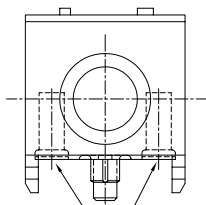
mat'l. code		surface		tolerance		projection		product family	
SEE NOTES		ISO 1302 ✓		ISO 406 ISO 1101				METRAL ACC	
ltr	ecn	no	dr	date		tolerances unless otherwise specified		title	
N						angles linear xx ±.01/3 xxx ±.005/.13 0'±2' xxx ±.0020/.050		RECEPTACLE GUIDE MODULE, 5 ROW	
						scale 1:1		dwg no	
								sheet 2 of 5 size	
								73474 A3	
								type Product Customer Drawing	
sheet index		revision sheet							

FCJ
FCIconnect.com

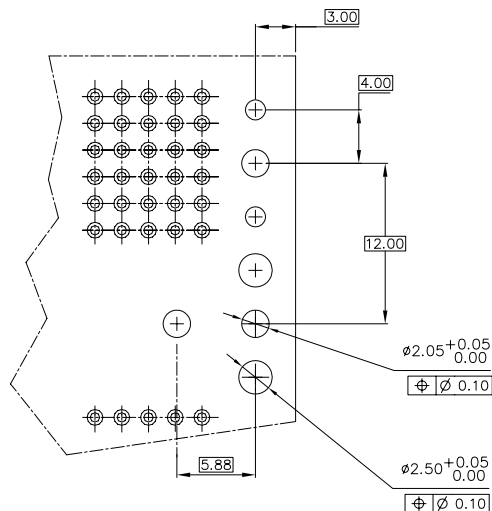
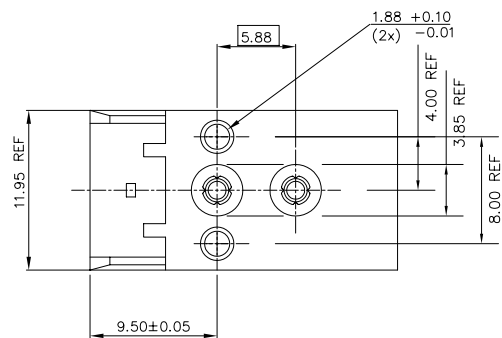
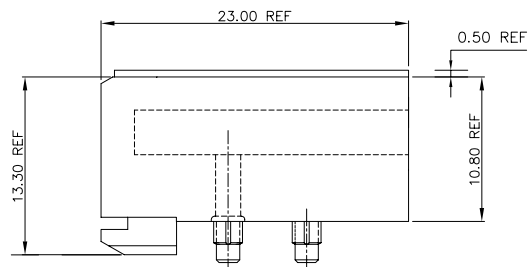
Copyright FCI

PRODUCT NO.	DESCRIPTION
73474-301	SCREW DOWN VERSION
73474-301LF	SCREW DOWN VERSION

FRONT VIEW



SCREW DOWN VERSION



REQUIRED P.C. BOARD LAYOUT COMPONENT SIDE

NOTES:

- HOUSING MATERIAL: LCP, 30% GLASS FILLED FLAME RETARDANT PER UL 94V-0. COLOR: NATURAL
- THIS SHEET SHOWS DIMENSIONS OF OPTIONAL SCREW-DOWN ONLY. FOR ALL OTHER DIMENSIONS AND REQUIREMENTS SEE SHEET 1. FOR HEAT-STAKE VERSION SEE SHEET 1, FOR PRESS-PEG, SEE SHEET 2.
- TWO MOUNTING SCREWS, P/N 63787-001, OR 63787-001LF FOR 73474-301LF, FOR MAX PCB THICKNESS 2.4mm [0.094"]. P/N 63787-002 OR 63787-002LF FOR 73474-301LF MAX PCB THICKNESS 3.2mm [0.126"]. MUST BE ORDERED SEPARATELY
- THE MATING CONNECTOR FOR THIS APPLICATION MUST USE A WALL-LESS HEADER HOUSING, P/N 63735-101, TO AVOID INTERFERENCE WITH MOUNTING SCREW HEADS.

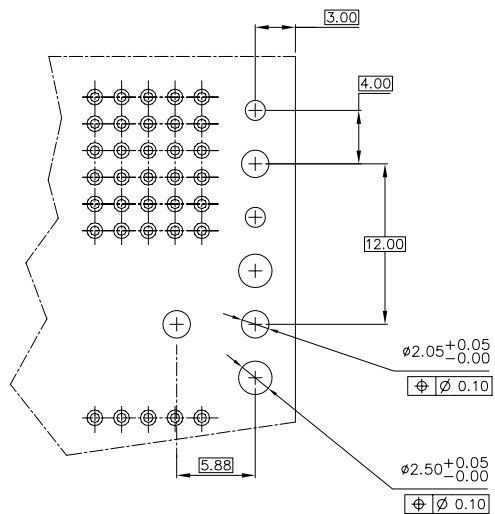
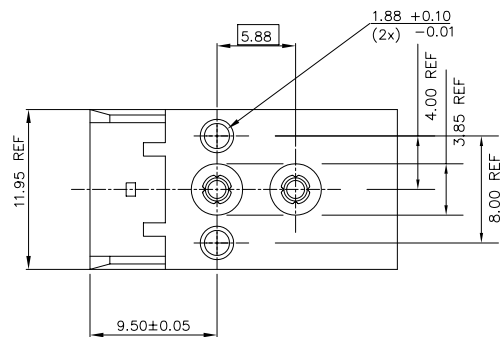
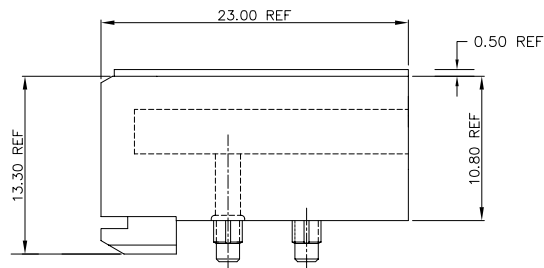
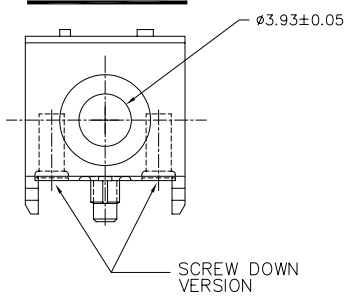
FCI
FCIconnect.com

Copyright FCI

mat'l. code SEE NOTES		surface ISO 1302 ✓	tolerance ISO 406 ISO 1101	projection mm	product family METRAL ACC
ltr	ecn no/dr	date		tolerances unless otherwise specified	title RECEPTACLE GUIDE MODULE, 5 ROW
N		angles	linear	mm	scale 1:1
		dr	M. FETROW	5/19/97	
		enr	C. PENDLETON	5/19/97	
		chr	C. PENDLETON	5/19/97	
		app	C. PENDLETON	5/19/97	
sheet index	revision sheet				dwg no 73474 sheet 3 of 5 size A3 type Product Customer Drawing

PRODUCT NO.	DESCRIPTION
73474-302	SCREW DOWN VERSION
73474-302LF	SCREW DOWN VERSION

FRONT VIEW



REQUIRED P.C. BOARD LAYOUT
COMPONENT SIDE

NOTES:

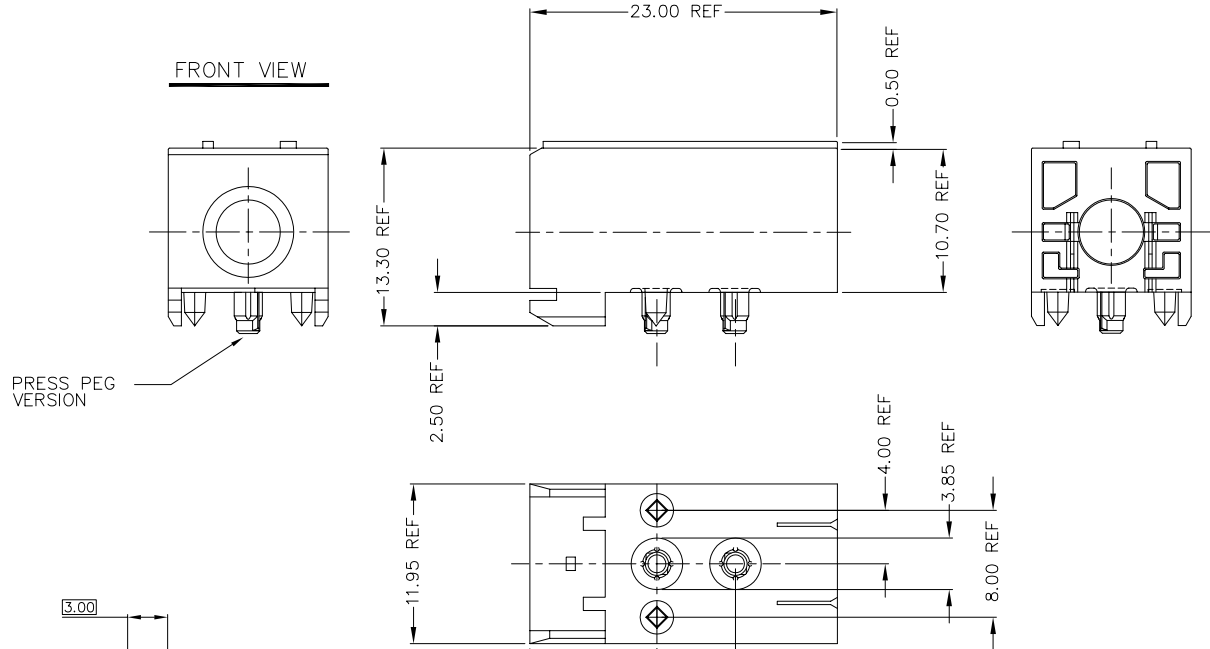
- HOUSING MATERIAL: LCP, 30% GLASS FILLED
FLAME RETARDANT PER UL 94V-0.
COLOR: NATURAL
- THIS SHEET SHOWS DIMENSIONS OF OPTIONAL SCREW-DOWN ONLY.
FOR ALL OTHER DIMENSIONS AND REQUIREMENTS SEE SHEET 1.
FOR HEAT-STAKE VERSION SEE SHEET 1, FOR PRESS-PEG,
SEE SHEET 2.
- TWO MOUNTING SCREWS, P/N 63787-001, OR 63787-001LF FOR
73474-301LF, FOR MAX PCB THICKNESS 2.4mm [0.094"].
P/N 63787-002 OR 63787-002LF FOR 73474-301LF MAX
PCB THICKNESS 3.2mm [0.126"].
MUST BE ORDERED SEPARATELY
- THE MATING CONNECTOR FOR THIS APPLICATION MUST USE A
WALL-LESS HEADER HOUSING, P/N 63735-101, TO AVOID
INTERFERENCE WITH MOUNTING SCREW HEADS.

FCI
FCIconnect.com

Copyright FCI

mat'l. code		surface		tolerance		projection		product family	
SEE NOTES		ISO 1302 ✓		ISO 406 ISO 1101				METRAL ACC	
ltr	ecn	no	dr	date	tolerances unless otherwise specified				
N					angles	linear	xx ±.01/.3	title	
					0°±2'		xxx ±.005/.13	RECEPTACLE GUIDE	
							xxxx ±.0020/.050	MODULE, 5 ROW	
			dr	M. FETROW	5/19/97	scale 1:1		dwg no	
			enr	C. PENDLETON	5/19/97			sheet 4 of 5 size	
			chr	C. PENDLETON	5/19/97			73474 A3	
			app	C. PENDLETON	5/19/97			type Product Customer Drawing	
sheet	revision								
index	sheet								

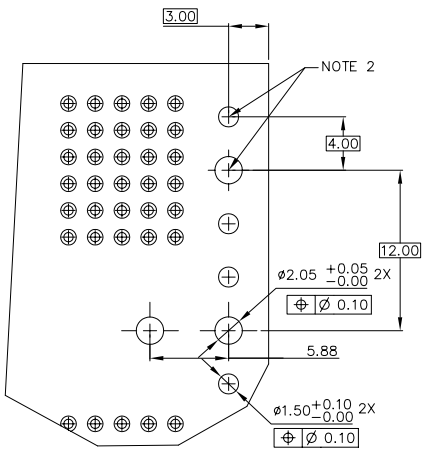
PRODUCT NUMBER	DESCRIPTION
73474-401M	PRESS PEG VERSION
73474-401	PRESS PEG VERSION
73474-401LF	PRESS PEG VERSION



PRESS PEG VERSION

NOTES:

- HOUSING MATERIAL: LCP, 30% GLASS FILLED
FLAME RETARDANT PER UL 94V-0.
COLOR: NATURAL
- INDICATED HOLES ARE UNPLATED.
- THIS SHEET SHOWS DIMENSIONS OF OPTIONAL PRESS-PEG ONLY.
FOR ALL OTHER DIMENSIONS AND REQUIREMENTS SEE SHEET 1.
FOR HEAT-STAKE VERSION SEE SHEET 1, FOR SCREW-DOWN
VERSION, SEE SHEET 3.



REQUIRED PC BOARD LAYOUT
COMPONENT SIDE

mat'l. code SEE NOTES		surface ISO 1302 ✓	tolerance ISO 406 ISO 1101	projection mm	product family METRAL ACC
ltr	ecn no	dr	date	title RECEPTACLE GUIDE MODULE, 5 ROW	
N				linear	scale 1:1
				angles	mm
				σ±2°	
		dr	M. FETROW	5/19/97	dwg no
		enr	C. PENDLETON	5/19/97	sheet 5 of 5
		chr	C. PENDLETON	5/19/97	size
		app	C. PENDLETON	5/19/97	A3
sheet index		revision sheet		type Product Customer Drawing	



Copyright FCI

X-ON Electronics

Largest Supplier of Electrical and Electronic Components

Click to view similar products for [High Speed/Modular Connectors](#) category:

Click to view products by [Amphenol](#) manufacturer:

Other Similar products are found below :

[650827-1](#) [74040-1346](#) [1410191-1](#) [1410337-1](#) [1410368-3](#) [1410964-2](#) [1410326-3](#) [1410367-3](#) [1410971-4](#) [1467833-1](#) [2000877-1](#) [2000878-1](#)
[2041314-1](#) [2065387-1](#) [2187307-1](#) [163P](#) [1934290-1](#) [2000875-1](#) [2065917-1](#) [2102736-2](#) [FSR-40](#) [2169868-2](#) [22354-8](#) [437-5040-000](#) [5-](#)
[1393565-0](#) [039-0246-000](#) [0740618502](#) [0761601016](#) [10123159-12ELF](#) [030-2415-003/100 PK](#) [030-7380-004](#) [030-2494-001](#) [532939-1](#)
[5532901-3](#) [3-1469268-7](#) [74748-102LF](#) [73670-0247](#) [10041743-101LF](#) [10066670-100002LF](#) [1-533915-1](#) [249-4515-000](#) [7-1469373-3](#) [DL2-](#)
[2J/S](#) [2000713-8](#) [2000713-7](#) [3011-21](#) [757105208](#) [EBTF-4-10-2.0-S-RA-1](#) [430305-001](#) [4395800100](#)