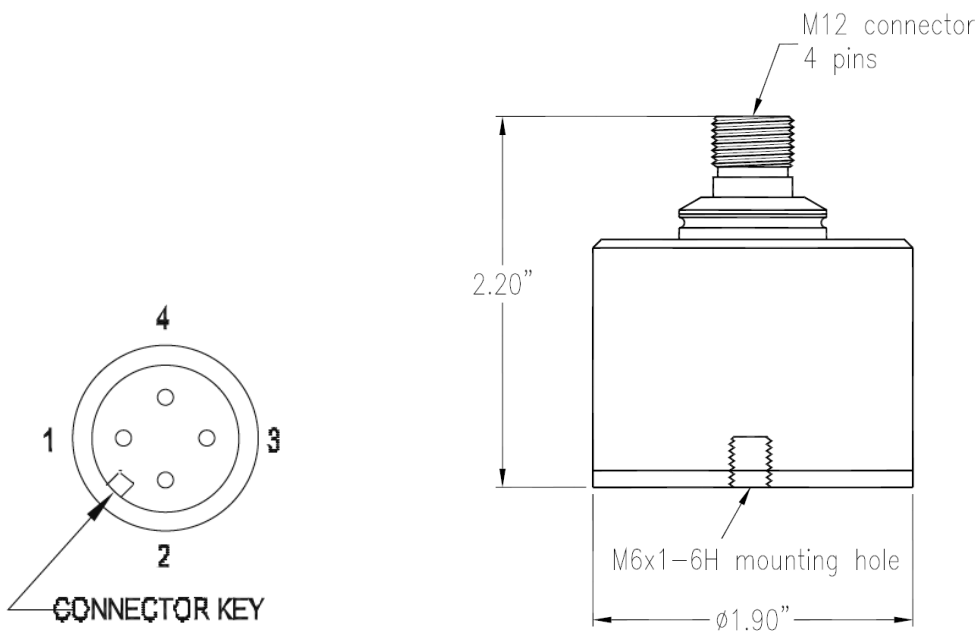


Ultra quiet, ultra low frequency, seismic accelerometer with temperature sensor

735T

Key features

- Ultra high sensitivity
- Ultra low-noise electronics for clear signals at sub micro-g levels
- Low frequency capable
- Low pass filtered to eliminate high frequencies
- Reverse wiring protection
- Manufactured in an approved ISO 9001 facility



Connections	
Function	Connector pin
ground	shell
accelerometer power/signal	1
accelerometer common	2
temperature signal (+)	3
temperature common (-)	4

Note: Due to continuous process improvement, specifications are subject to change without notice.
This document is cleared for public release.

Wilcoxon Sensing Technologies
20511 Seneca Meadows Parkway
Germantown, MD 20876
info@wilcoxon.com

Tel: (301) 330 8811
Fax: (301) 330 8873
www.wilcoxon.com

Wilcoxon Sensing Technologies
An Amphenol Company

Ultra quiet, ultra low frequency, seismic accelerometer with temperature sensor

735T



SPECIFICATIONS

Accelerometer sensitivity, $\pm 10\%$, 25° C	10 V/g
Acceleration range	0.5 g peak
Amplitude nonlinearity	1%
Frequency response ± 3 dB	0.01 - 350 Hz
Resonance frequency	700 Hz
Transverse sensitivity, max	1% of axial
Temperature response, nominal	
-10° C	-20%
0° C	-15%
+65° C	+50%
TEMPERATURE SENSOR	
RTD resistance at 0° C	1000 Ω , $\pm 1\%$
Class (per DIN 60751)	Class A
Alpha value (per DIN 60751)	0.003850
Temperature range ¹	-50 to +150° C
Grounding	case isolated
Voltage source	15 - 30 VDC
Current regulating diode	1 - 10 mA
Electrical noise, equiv. g	
Broadband 2.5 Hz to 25 kHz	0.5 μ g
Spectral 2 Hz	20 ng/ $\sqrt{\text{Hz}}$
10 Hz	7 ng/ $\sqrt{\text{Hz}}$
100 Hz	3.5 ng/ $\sqrt{\text{Hz}}$
Output impedance, max	600 Ω at 1 mA, 100 Ω at 4 mA
Bias output voltage	8 VDC
Grounding	case isolated
Temperature range	-10 to +65° C
Vibration limit, min	10 g peak
Shock limit ²	100 g
Sealing	hermetic
Weight	380 grams
Case material	316L stainless steel
Mounting	M6x1 tapped hole
Output connector	4-pin, M12
Mating connector ³	4- or 5-socket, M12

Note: Due to continuous process improvement, specifications are subject to change without notice. This document is cleared for public release.

Contact

Wilcoxon Sensing Technologies

20511 Seneca Meadows Parkway
Germantown MD 20876, USA

Tel: +1 301 330 8811
Fax: +1 301 330 8873

info@wilcoxon.com

www.wilcoxon.com

Accessories supplied:

- Calibration data (level 3)
- SF6M-1 mounting stud

Notes: ¹ Temperatures in excess of 65° C may permanently damage the accelerometer sensing function.

² Special handling required due to sensitivity; protective container included.

³ Cable shield must be electrically connected to M12 mating connector threaded nut.

Wilcoxon Sensing Technologies
20511 Seneca Meadows Parkway
Germantown, MD 20876 USA
info@wilcoxon.com

Tel: (301) 330 8811
Fax: (301) 330 8873
www.wilcoxon.com

Wilcoxon Sensing Technologies
An Amphenol Company

X-ON Electronics

Largest Supplier of Electrical and Electronic Components

Click to view similar products for [Accelerometers](#) category:

Click to view products by [Amphenol](#) manufacturer:

Other Similar products are found below :

[AD22372Z-RL7](#) [805M1-0050-01](#) [MXC6655XA](#) [MMA7455LT](#) [805M1-0200-01](#) [810M1-0025X](#) [3038-0050](#) [832M1-0050](#) [805-0050](#)
[AD22301](#) [ADXL354BEZ](#) [SCA620-EF8H1A-1](#) [MC3413](#) [MXC6244AU](#) [3038-0500](#) [ACH-01-04/10](#) [4692](#) [735T](#) [787-500](#) [787AM8](#) [793-6](#)
[793L](#) [997-M4](#) [HV101](#) [HV102](#) [HV200](#) [PC420AR-10](#) [PC420VP-50](#) [PC420VR-10](#) [786A](#) [786A-IS](#) [787A](#) [787A-IS](#) [HT786A](#) [HT787A](#)
[PC420VP-10](#) [ADCMXL1021-1BMLZ](#) [ADIS16003CCCZ](#) [ADIS16228CMLZ](#) [ADXL700WBRWZ-RL](#) [ADXL103CE-REEL](#) [ADXL203CE-](#)
[REEL](#) [ADXL206HDZ](#) [ADXL213AE](#) [ADXL213AE-REEL](#) [ADXL288WBRDZ-RL](#) [ADXL295WBRDZ-RL](#) [ADXL326BCPZ-RL7](#)
[ADXL337BCPZ-RL7](#) [ADXL344ACCZ-RL7](#)