

High sensitivity, high-frequency accelerometers

736 and 736T

SPECIFICATIONS

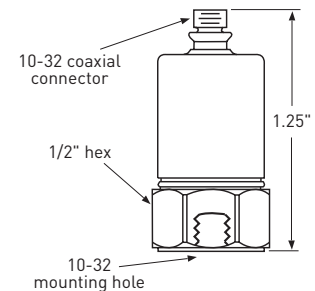
Sensitivity, $\pm 5\%$, 25°C		100 mV/g
Acceleration range		50 g peak
Amplitude nonlinearity		1%
Frequency response:		
	$\pm 5\%$	5 - 15,000 Hz
	± 3 dB	2 - 25,000 Hz
Resonance frequency		60 kHz
Transverse sensitivity, max		7% of axial
Temperature response:		
	-50°C	-10%
	+120°C	+5%
Power requirement:		
Voltage source		18 - 30 VDC
Current regulating diode		2 - 10 mA
Electrical noise, equiv. g:		
Broadband	2.5 Hz to 25 kHz	150 μ g
Spectral	10 Hz	10 μ g/ \sqrt Hz
	100 Hz	2 μ g/ \sqrt Hz
	1,000 Hz	1 μ g/ \sqrt Hz
	10,000 Hz	0.8 μ g/ \sqrt Hz
Output impedance, max		150 Ω
Bias output voltage		10 VDC
Grounding		case grounded
Temperature range		-50° to +120°C
Vibration limit		500 g peak
Shock limit		5,000 g peak
Electromagnetic sensitivity, equiv. g		100 μ g/gauss
Base strain sensitivity, max		0.005 g/ μ strain
Sensing element design		PZT, compression
Weight		13 grams
Case material		316L stainless steel
Mounting		10-32 tapped hole
Output connector		10-32 coaxial
Mating connector		R1
Recommended cabling		J93

Accessories supplied: SF1 mounting stud (metric mounting available); calibration data (level 3)

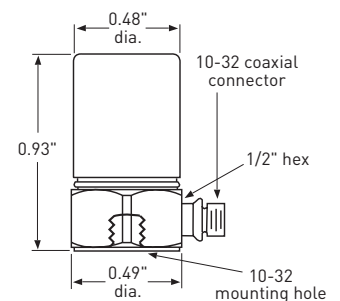


Key features

- Compact size
- Wide dynamic range
- Manufactured in ISO 9001 facility



Model 736T



Model 736



Note: Due to continuous process improvement, specifications are subject to change without notice. This document is cleared for public release.

Connections	
Function	Connector pin / cable conductor
power/signal	pin / center
common	shell / shield

X-ON Electronics

Largest Supplier of Electrical and Electronic Components

Click to view similar products for [Accelerometers](#) category:

Click to view products by [Amphenol](#) manufacturer:

Other Similar products are found below :

[SX8452QR1](#) [LIS3L02AL](#) [SHUTTLE BOARD BMA222E](#) [832-0050](#) [AD22372Z-RL7](#) [ADXL313WACPZ-RL](#) [MMA1200KEG](#) [1-1001220-0](#)
[MMA6331LT](#) [FXLN8362QR1](#) [LIS331HHTR](#) [MMA8452QR1](#) [MMA6331LR1](#) [MMA1220KEG](#) [SCA830-D05-1](#) [MXR9150MZ](#)
[D3965MMA7660FC](#) [BMA423](#) [BMA456](#) [MMA8653FCR1](#) [805M1-0200](#) [ADXL1002BCPZ](#) [834M1-2000](#) [3038-0050](#) [AD22301](#) [805-0500](#)
[ADXL189BWBRDZUP-RL](#) [3038-0100](#) [ADXL356CEZ](#) [4030-002-120](#) [805M1-0200-01](#) [MXP7205VW](#) [ADXL1001BCPZ](#) [ADXL354BEZ](#)
[805-0500-01](#) [ADXL357BEZ](#) [3038-0500](#) [MXA2500EL](#) [BU-23842-000](#) [KX126-1063](#) [810M1-0100X](#) [805-0050](#) [ADXL356BEZ](#) [832M1-0025](#)
[832M1-0500](#) [8101-0040X-120](#) [810M1-0025X](#) [805M1-0020](#) [ADXL700WBRWZ-RL](#) [834M1-6000](#)