

PRODUCT NO.  
73725

PRODUCT NUMBER CODE

73725-X X X X LF

HOUSING COLOR OPTION

- 0-WHITE
- 1-BLACK

SENSOR CONTACT OPTION

- 0-WITH SENSOR CONTACT
- 1-WITHOUT SENSOR CONTACT

SHIELD PLATING OPTION

- 1- 1.25µm MINIMUM NICKEL UNDERPLATE & 2.5µm MINIMUM BRIGHT TIN OVER ALL AREA. (HOLD DOWN STYLE "A")
- 2- 1.25µm MINIMUM NICKEL UNDERPLATED OVER ALL; 2.5 µm MINIMUM BRIGHT TIN PLATED ON HOLD DOWN AREA ONLY. (HOLD DOWN STYLE "B")
- 3- 1.25µm MINIMUM NICKEL UNDERPLATED OVER ALL; 2.5 µm MINIMUM BRIGHT TIN PLATED ON HOLD DOWN AREA ONLY. (HOLD DOWN STYLE "A")
- 4- 1.25µm MINIMUM NICKEL UNDERPLATED & 2.5µm MINIMUM BRIGHT TIN OVER ALL AREA. (HOLD DOWN STYLE "B")
- 5- 1.25µm MINIMUM NICKEL UNDERPLATED OVER ALL; 2.5µm MINIMUM BRIGHT TIN PLATED ON HOLD DOWN AREA ONLY. (HOLD DOWN STYLE "C")
- 6- 1.25µm MINIMUM NICKEL ONLY. (HOLD DOWN STYLE "A")
- 7- 1.25µm MINIMUM NICKEL UNDERPLATED & 2.5 µm MINIMUM MATTE TIN PLATED OVER ALL. (HOLD DOWN STYLE "A")
- 8- 1.25µm MINIMUM NICKEL UNDERPLATED & 2.5 µm MINIMUM MATTE TIN PLATED ALL AREA. (HOLD DOWN STYLE "B")
- 9- 1.25µm MINIMUM NICKEL UNDERPLATED OVER ALL; 2.5 µm MINIMUM MATTE TIN PLATED ON HOLD DOWN AREA ONLY. (HOLD DOWN STYLE "D")
- S- 1.25µm MINIMUM NICKEL ONLY; (HOLD DOWN STYLE "A"). HIGH PERFORMANCE MATERIAL FOR 12,000 DURABILITY CYCLES
- A- 1.25µm MINIMUM NICKEL PLATED OVER ALL. 2.5 µm MINIMUM MATTE TIN PLATED ON HOLD DOWN AREA ONLY. (HOLD DOWN STYLE "B")

LEAD FREE OPTION  
SEE NOTE 9

PACKAGING OPTION  
B - TUBE  
R - TAPE&REEL

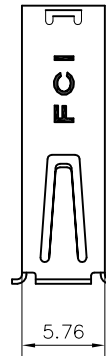
TERMINAL OPTION

50u" NI UNDERPLATE; 30u" GXT CONTACT AREA, 100u" TIN TAIL AREA;

- 0- DIM "A": 2.29 (TERMINAL TAIL LENGTH);
- 1- DIM "A": 3.71 (TERMINAL TAIL LENGTH);

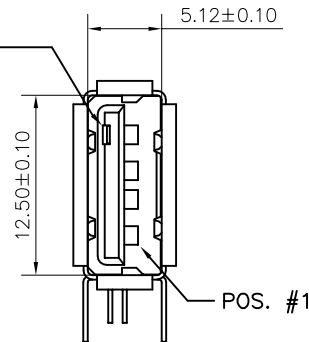
NOTES:

1. MATERIAL:  
CONTACTS: COPPER ALLOY  
SHIELD: COPPER ALLOY  
HOUSING: UL 94V-0 THERMOPLASTIC, COLOR: SEE PRODUCT CODE
2. PLATING:  
CONTACTS: GOLD FLASH OVER PALLADIUM NICKEL (0.76µm MINIMUM) IN CONTACT AREA; 2.5 µm TIN MINIMUM IN SOLDER TAIL AREA.  
1.27 µm MINIMUM NICKEL UNDERPLATE OVER ALL SURFACES.  
SHIELD: SEE PRODUCT NUMBER CODE.  
(THE PLATING MEASURE POINT ON THE SHIELD HOLD DOWN AREA ONLY).
- ③. DATUMS & BASIC DIMENSIONS TO BE DETERMINED BY CUSTOMER
4. RECOMMENDED PCB BOARD THICKNESS IS 1.00 ~ 1.60mm EXCEPT 73725-1191BLF; 73725-1191BLF CAN BE USED FOR THE PCB BOARD THICKNESS 2.30 ~ 2.65mm.
- ⑤. MAXIMUM PANEL THICKNESS TO BE 2.67mm IF MOUNTED BEHIND PANEL
6. METAL SHELL SLIVER 0.20 MAX.
7. NI PLATING DOES NOT COMPLY WITH THE USB STANDARDS (TO BE CONTINUED)

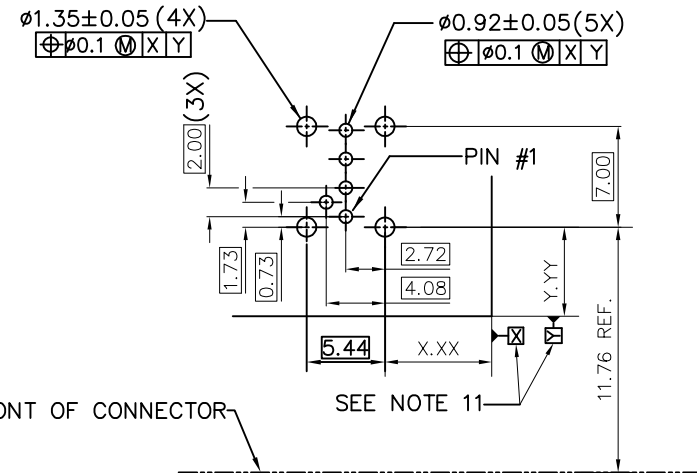


5.12±0.10

SENSOR CONTACT



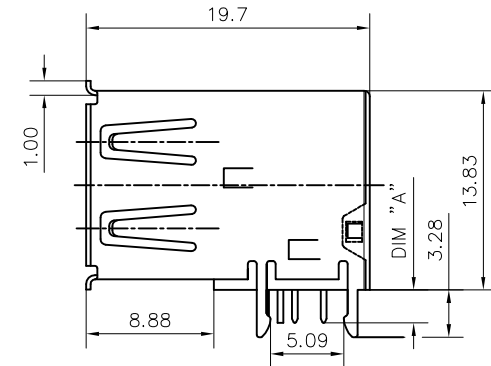
WITH SENSOR CONTACT



FRONT OF CONNECTOR

SEE NOTE 11

PC BOARD MOUNTING DIMENSIONS FOR 5 PIN



FOR 73725-X0X0B  
HOLD DOWN STYLE "A"



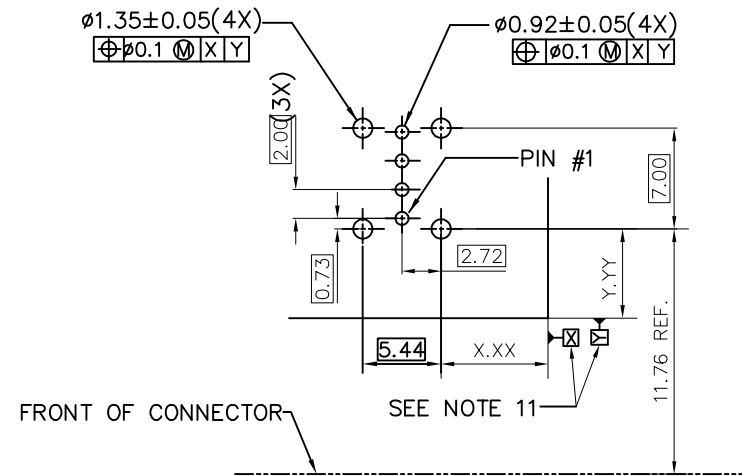
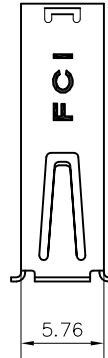
Copyright FCI.

mat'l code		tolerance unless otherwise specified		CUSTOMER COPY		FCI www.fciconnect.com	
rev.	ecn no.	dr	date	linear	.0 ± .30	projection	title USB UP-RIGHT RECEPT
AB	N09-0202	R.B	2008/06/25		.00 ± .20		
AC	N10-0128	A.ZH	05/14/2010		.000± 0.10		product family USB code NT
AD	ELX-N-012004	A.ZH	06/25/2012	angles	± 2°		
AE	ELX-N-13462	A.ZH	11/14/2012	dr	PAMP	5/20/97	product family USB
AF	ELX-N-14592	J.HAN	06/10/2013	engr	R Y LIU	5/20/97	code NT
AG	ELX-N-21594	LQ	08/04/2015	chr	R Y LIU	5/20/97	sheet 1 OF 4
				appd	JENN TSAO	5/20/97	scale A3
sheet	revision	AG					73725
index	sheet	1-4					

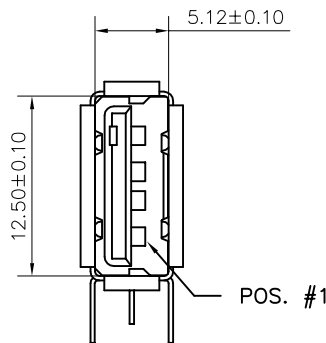
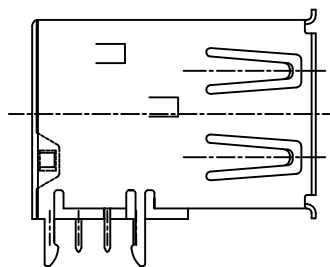
PRODUCT NO.  
73725

(CONTINUED)

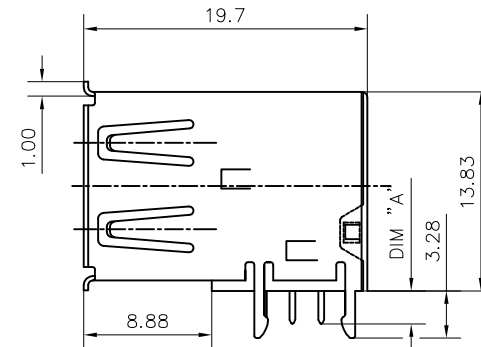
- 8. P/N'S WITH SUFFIX "LF" ARE LEAD FREE P/N'S
- 9. FOR LEAD FREE P/N, THE PRODUCT MEET EUROPEAN UNION DIRECTIVES AND OTHER COUNTRY REGULATION AS DESCRIBED IN GS-22-008
- 10. FOR THE PRODUCTS WITH THE METAL SHELL PLATING NICKEL AND MATTE SN CAN WITHSTAND EXPOSURE TO 260°C PEAK TEMPERATURE FOR 40 SECONDS IN A CONVECTION, INFRA-RED OR VAPOR PHASE REFLOW PROCESS; FOR THE PRODUCTS WITH METAL SHELL PLATING BRIGHT SN OR SEMI-BRIGHT SN CAN'T WITHSTAND REFLOW AND JUST CAN WITHSTAND EXPOSURE TO 260°C PEAK TEMPERATURE FOR 10 SECONDS IN WAVE SOLDERING PROCESS.
- 11. FOR ALL LEAD FREE P/N'S, WITH SUFFIX LF.
- 12. THE PRODUCT CAN BE USED FOR PIP PROCESS
- 13. DATUM OF CUSTOMER'S PCB LAYOUT.



PC BOARD MOUNTING DIMENSIONS FOR 4 PIN



WITHOUT SENSOR CONTACT



FOR 73725-X1X0B

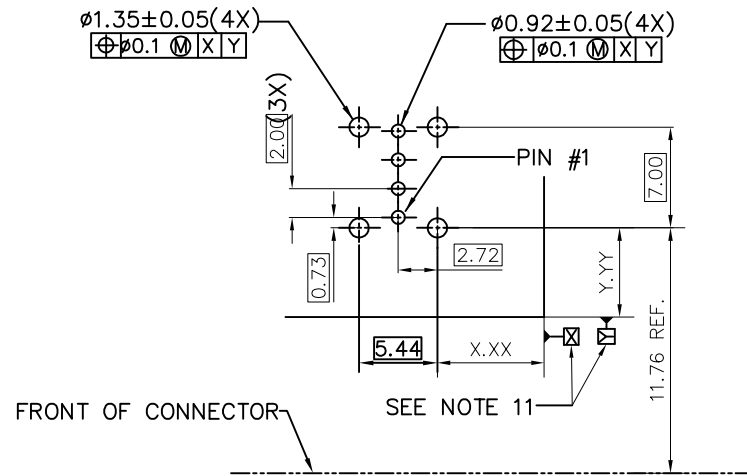


Copyright FCI.

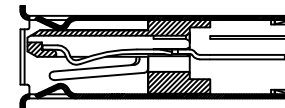
mat'l code		tolerance unless otherwise specified		CUSTOMER COPY		 www.fciconnect.com	
rev.	ecn no.	dr	date	linear	.0 ± .30 .00 ± .20 .000± 0.10	projection	 title USB UP-RIGHT RECEPT
AG							
				angles	± 2'	 unit mm scale A3	product family USB size 73725 code NT sheet 2 OF 4
		dr	PETER PAM 9/4/97				
		enr	R Y LIU 9/4/97				
		chr	R Y LIU 9/4/97				
		appd	JENN TSAO 9/4/97				
sheet	revision						
index	sheet						

PRODUCT NO.

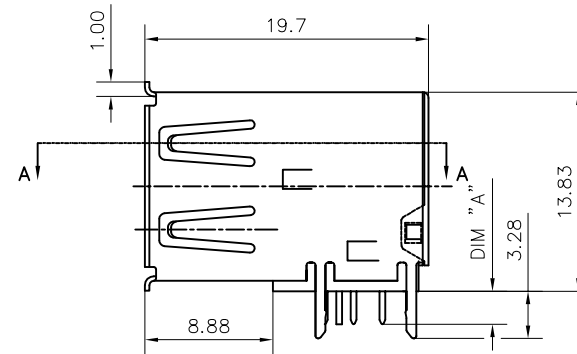
73725



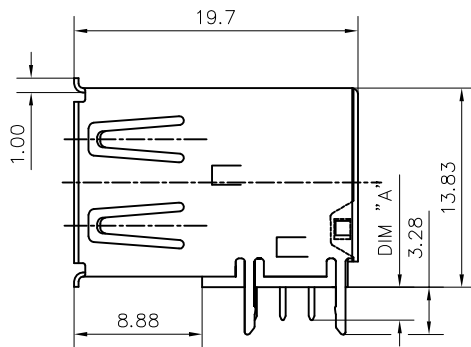
PC BOARD MOUNTING DIMENSIONS FOR 4 PIN



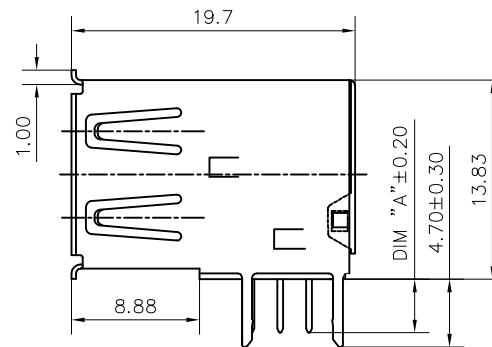
SECTION A-A



WITH SENSOR CONTACT  
FOR 73725-X0X0B  
HOLD DOWN STYLE "B"



WITHOUT SENSOR CONTACT  
FOR 73725-X1X0B  
HOLD DOWN STYLE "B"



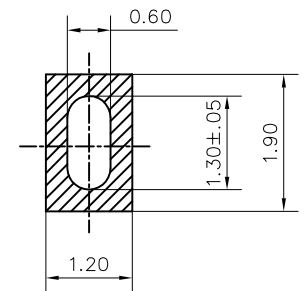
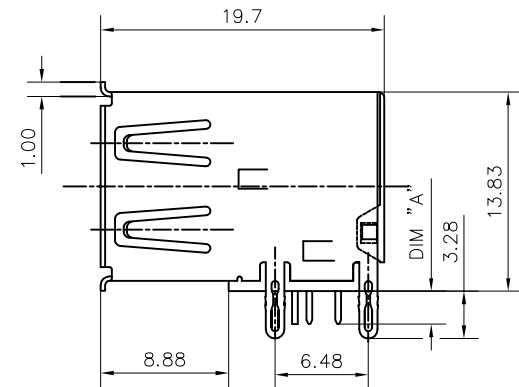
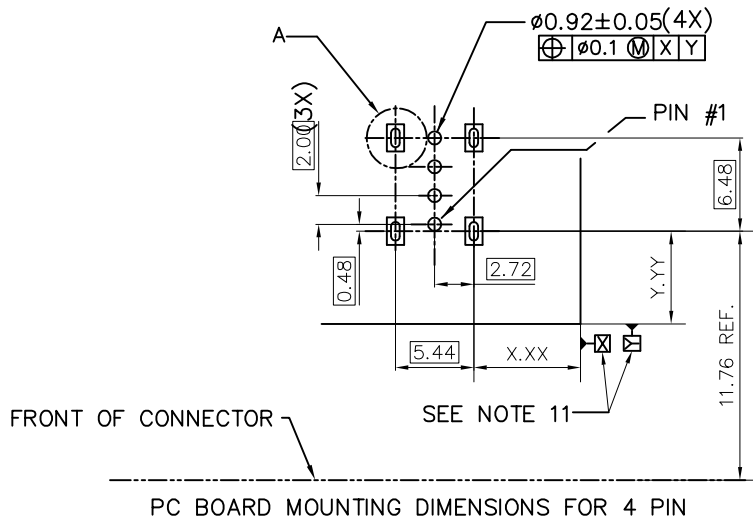
WITHOUT SENSOR CONTACT  
FOR 73725-X191XLF  
HOLD DOWN STYLE "D"



Copyright FCI.

mat'l code		tolerance unless otherwise specified		CUSTOMER COPY		www.falconconnect.com			
rev.	ecn no.	dr	date	linear	.0 ± .30 .00 ± .20 .000 ± 0.10	projection	title		
AG									USB UP-RIGHT RECEIPT
dr	PETER	5/20/97	unit	mm	product family	code			
enr	JOHN WEN	5/20/97	size	mm	USB	NT			
chr	JOHN WEN	5/20/97	scale	A3	73725	sheet	3 OF 4		
appd	JENN TSAO	5/20/97							
sheet	revision								
index	sheet								

PRODUCT NO.  
73725



DETAIL A 5 : 1



Copyright FCI.

mat'l code		tolerance unless otherwise specified		CUSTOMER COPY		www.fciconnect.com		
rev.	ecn no.	dr	date	linear	.0 ± .30	projection	title USB UP-RIGHT RECEPT	
AG					.00 ± .20			
					.000± 0.10			
				angles	± 2°		product family USB size dwg no. A3 73725 code NT sheet 4 OF 4	
		dr	PETER	01/12/99	unit			mm
		enr	R Y LIU	01/12/99	size			mm
		chr	R Y LIU	01/12/99	scale			
		appd	JENN TSAO	01/12/99				
sheet	revision							
index	sheet							

## X-ON Electronics

Largest Supplier of Electrical and Electronic Components

*Click to view similar products for [USB Connectors](#) category:*

*Click to view products by [Amphenol](#) manufacturer:*

Other Similar products are found below :

[950](#) [A-USB A-LP-SMT-C](#) [A-USB B-TOP-C](#) [MUSBD11135](#) [17-200721](#) [217450-1](#) [KMBVX-TH-5S-B30](#) [KUSBX-AS2N-W](#) [KUSBX-SMT2AP1S-W30](#) [935](#) [957](#) [30-498-6](#) [SK-60A-2](#) [1734082-1](#) [30-470](#) [30-489](#) [30-541](#) [MIKROE-1451](#) [USBFTVSCCG](#) [1-1734084-2](#)  
[10135326-001LF](#) [USB3FTV7APEG](#) [4198](#) [1310-1023-02](#) [690-024-633-031](#) [UB-20PMFP-LC7001](#) [17-200011](#) [UB-20AFMM-LL7A01](#)  
[1040870124](#) [CAP-WCCMLPB1](#) [2274475-3](#) [UB-20BMFA-SL8001](#) [UB-20BFM-SA7A02](#) [UB-20BFM-SA7A05](#) [914-614A2025S10200](#)  
[MUSBR-AHD2-M41-SK](#) [ZX40-B-5S-1500-STDA\(30\)](#) [GSB3116344HR](#) [USB3FTV2SAZNF459](#) [USBF21GSCC](#) [U221-041N-1WVS62-F5D](#)  
[HYCW153-USBD05-500B](#) [HYCW219-USBD05-075B](#) [HYCW148-USBD05-117B](#) [HYCW149-USBD05-740B](#) [HYCW204-USBD05-108B](#)  
[HYCW214-USBA04-113B](#) [HYCW213-USBA04-113B](#) [UB-20AMFM-SL7A01](#) [KMMX-BSMT35S-1-B30TR](#)