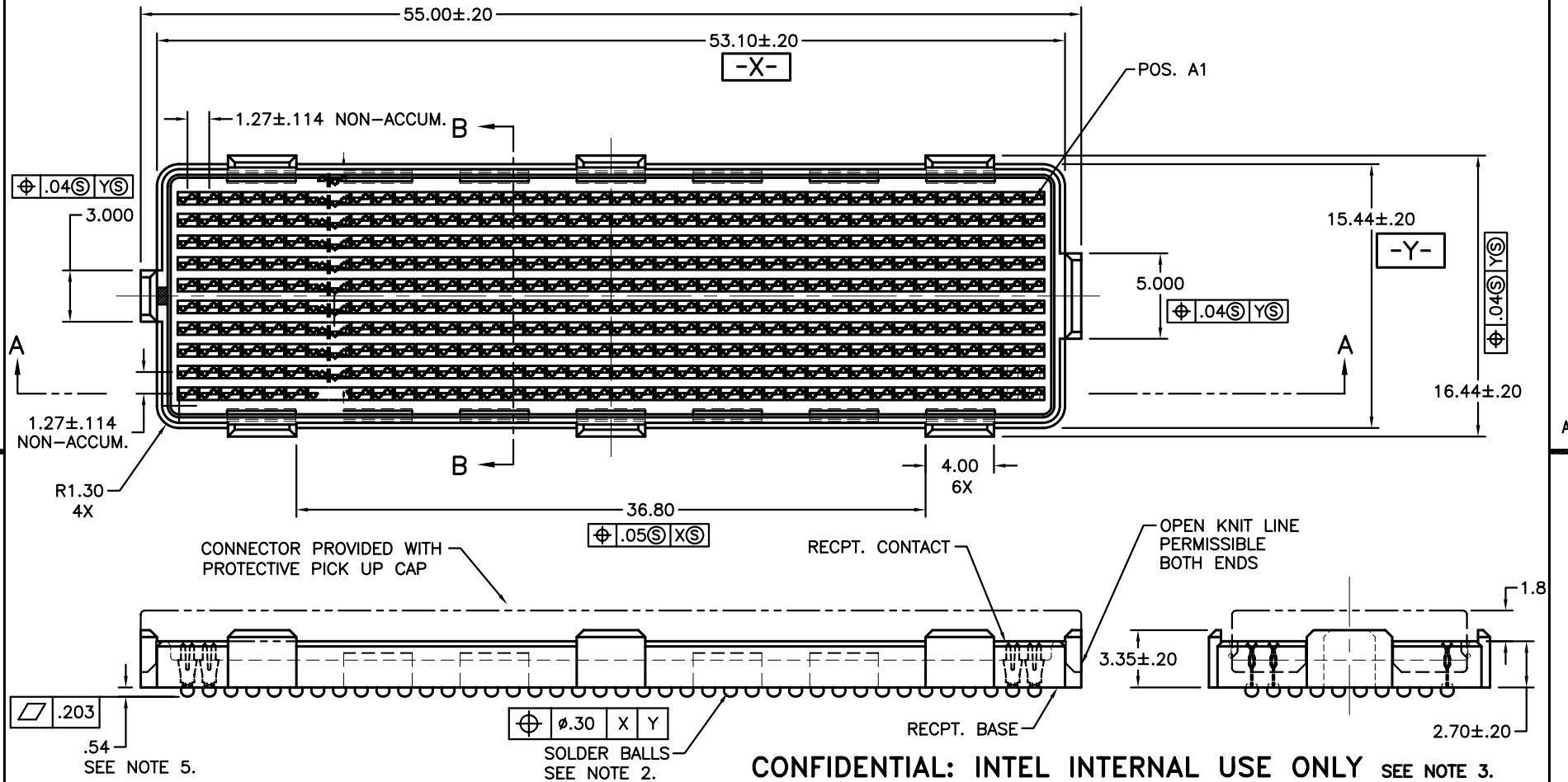


Tous droits strictement réservés. Reproduction ou communication à des tiers interdite sous quelque forme que ce soit sans autorisation écrite du propriétaire. Propriété de c FCI. Droits de reproduction FCI.

All rights strictly reserved. Reproduction or issue to third parties in any form whatever is not permitted without written authority from the proprietor. Property of FCI. Copyright FCI.

|             |                         |                             |
|-------------|-------------------------|-----------------------------|
| PRODUCT NO. | SOLDER BALL MATERIAL    | CONTACT PLATING             |
| 74220-001   | EUTECTIC SnPb           | 15-40u"/.38-1.02um Au       |
| 74220-001LF | SnAgCu LEAD FREE (6)(7) | OVER 30-120u"/.76-3.05um Ni |

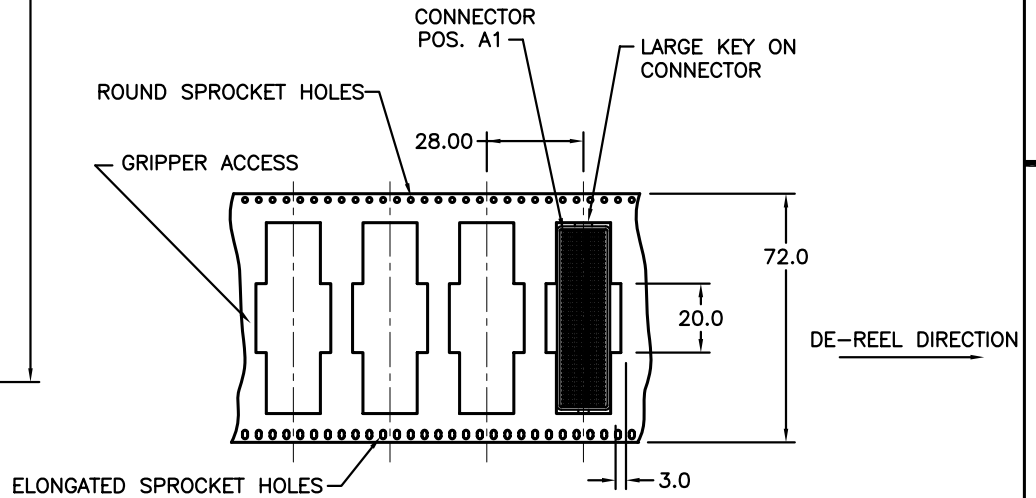
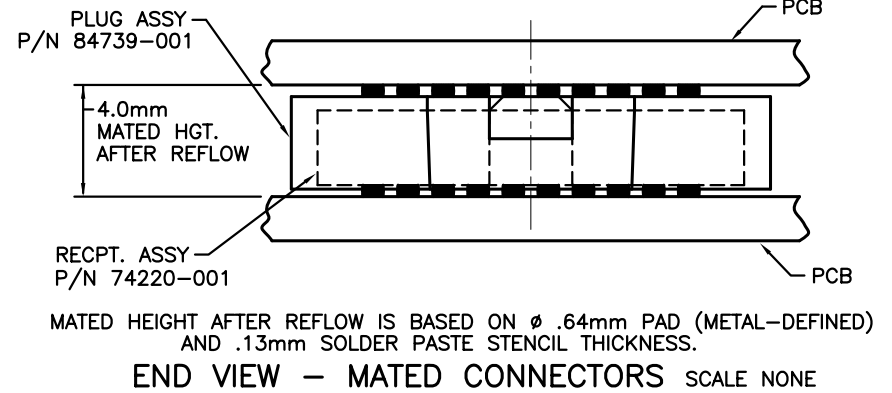
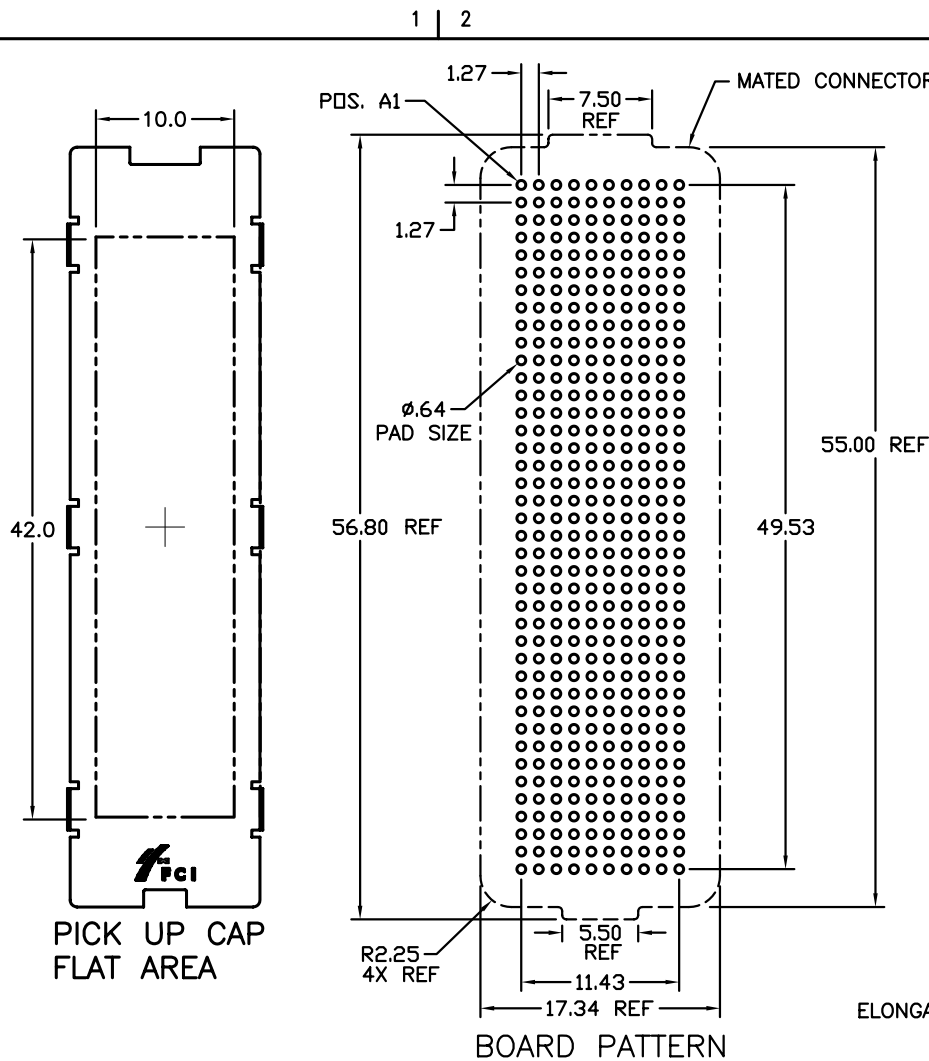


CONFIDENTIAL: INTEL INTERNAL USE ONLY SEE NOTE 3.

|                           |          |  |          |                       |                                   |
|---------------------------|----------|--|----------|-----------------------|-----------------------------------|
| mat'l. code<br>SEE NOTE 1 |          | tolerances unless<br>otherwise specified |          | CUSTOMER<br>COPY      | Electronics<br>www.fciconnect.com |
| ltr                       | ecn no   | dr                                       | date     |                       |                                   |
| A                         | V71483   | DRW                                      | 10-14-97 | linear                | 4mm RECT. ASSY<br>10X40= 400 POS. |
| B                         | V80713   | DRW                                      | 4.17.98  | .XX ±.13              |                                   |
| C                         | V81013   | DRW                                      | 6.2.98   | angles                | size dwg no                       |
| D                         | V00181   | HLJ                                      | 9.07.00  | 0° ±2'                | 74220                             |
| E                         | V04-0940 | VS                                       | 10/27/04 | M.J.WENDEL 970917     | code                              |
| F                         | V05-1071 | DAI                                      | 12/21/05 | T.LEMKE 10.14.97      | 213                               |
|                           |          |  |          | T.LEMKE 10.14.97      | sheet                             |
|                           |          |  |          | appd T.LEMKE 10.14.97 | 1 of 3                            |
| sheet                     | revision | F  | F        | F                     |                                   |
| index                     | sheet    | 1  | 2        | 3                     |                                   |

Tous droits strictement réservés. Reproduction ou communication à des tiers interdite sous quelque forme que ce soit sans autorisation écrite du propriétaire. Propriété de c FCI. Droits de reproduction FCI.

All rights strictly reserved. Reproduction or issue to third parties in any form whatever is not permitted without written authority from the proprietor. Property of FCI. Copyright FCI.

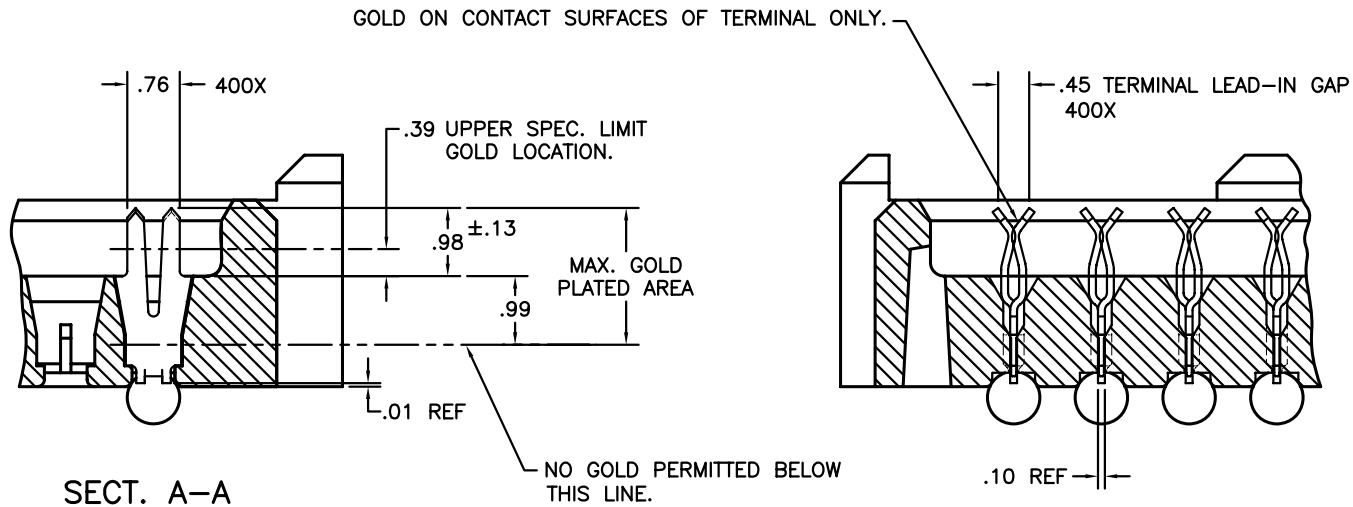


TAPE & REEL PACKAGING SCALE NONE  
**CONFIDENTIAL: INTEL INTERNAL USE ONLY. SEE NOTE 3.**

|                           |          |  |      |                  |   |   |
|---------------------------|----------|--|------|------------------|---|---|
| mat'l. code<br>SEE NOTE 1 |          | tolerances unless<br>otherwise specified |      | CUSTOMER<br>COPY | Electronics<br><a href="http://www.fciconnect.com">www.fciconnect.com</a> |   |
| ltr                       | ecn no   | dr                                       | date | linear           | .X ±.3  | projection  |
| F                         |          |  |      |                  | .XX ±.13  |   |
|                           |          |  |      | angles           | .XXX ±.051  |   |
|                           |          |  |      | 0° ±2'           | 0° ±2'  |   |
|                           |          |  |      | dr               | M.J.WENDEL 970917   | mm<br>scale<br>2:1                                  |
|                           |          |  |      | engr             | T.LEMKE 10.14.97  |   |
|                           |          |  |      | chr              | T.LEMKE 10.14.97  | product family MEG-ARRAY<br>size dwg no<br>A4 74220 |
|                           |          |  |      | appd             | T.LEMKE 10.14.97  |   |
| sheet                     | revision |  |      |                  |   | code<br>213<br>sheet<br>2 of 3                      |
| index                     | sheet    |  |      |                  |   |   |

Tous droits strictement reserves. Reproduction ou communication a des tiers interdite sous quelque forme que ce soit sans autorisation ecrite du proprietaire. Propriete de c FCI. Droits de reproduction FCI.

All rights strictly reserved. Reproduction or issue to third parties in any form whatever is not permitted without written authority from the proprietor. Property of FCI. Copyright FCI.



SECT. A-A

SECT. B-B  
ROTATED 90° C.W.

**NOTES:**

**1. MAT'L:**

**HOUSING:** LCP (GRADE PROPRIETARY).

**CONTACT:** BeCu/C17200.

**PLATING:**

**CONTACT:** 15-40u"/.38-1.02um Au OVER 30-120u"/.76-3.05um Ni.

**SOLDER BALL:** (SEE TABLE ON SHEET1)

EUTECTIC SnPb OR LEAD FREE

95.5Sn/4Ag/0.5Cu

- 2. SOLDER BALLS WILL NOT BE PERFECT SPHERICAL SHAPE DUE TO REFLOW ATTACHMENT. NOMINAL INITIAL SOLDER BALL  $\phi$ .76 (.030").
- 3. DRAWING NO. 74221 TO BE USED FOR INTEL CUSTOMERS (OEM).
- 4. REFER TO 07-747 INTEL PROCUREMENT SPEC.
- 5. SOLDER BALL HEIGHT TOLERANCE PENDING FINAL AGREEMENT.

- 6. FOR PROPER APPLICATION FOLLOW FCI APPLICATION SPECIFICATION GS-20-033 LEAD FREE SOLDER BALLS WILL NOT SOLDER PROPERLY IN A LEADED SOLDER PROCESS DUE TO A HIGHER REFLOW TEMPERATURE. LEAD FREE PRODUCT IS THEREFORE NOT BACKWARDS COMPATIBLE WITH LEADED OR SOME SOLDERING APPLICATIONS. REFERENCE FCI APPLICATION SPECIFICATION

- 7. THIS PRODUCT MEETS EUROPEAN UNION DIRECTIVES AND OTHER COUNTRY REGULATIONS AS DESCRIBED IN GS-22-008 PRODUCT MEETING THIS DIRECTIVE IS IDENTIFIED IN THE LOT CODE NUMBER MARKED ON EACH PART BY HAVING AN "X" IN THE SEVENTH CHARACTER POSITION

**CONFIDENTIAL: INTEL INTERNAL USE ONLY SEE NOTE 3.**

|                           |          |  |            |                  |                                   |
|---------------------------|----------|--|------------|------------------|-----------------------------------|
| mat'l. code<br>SEE NOTE 1 |          | tolerances unless<br>otherwise specified |            | CUSTOMER<br>COPY | Electronics<br>www.fciconnect.com |
| ltr                       | ecn no   | dr                                       | date       |                  |                                   |
| F                         |          |  |            | .X $\pm$ .3      |                                   |
|                           |          |  |            | .XX $\pm$ .13    | title                             |
|                           |          |  |            | .XXX $\pm$ .051  | 4mm RECPT ASSY                    |
|                           |          |  |            | angles           | 10X40= 400 POS.                   |
|                           |          |  |            | 0° $\pm$ 2'      | product family                    |
|                           |          | dr                                       | M.J.WENDEL | 971013           | MEG-ARRAY                         |
|                           |          | engr                                     | T.LEMKE    | 10.14.97         | code                              |
|                           |          | chr                                      | T.LEMKE    | 10.14.97         | 213                               |
|                           |          | appd                                     | T.LEMKE    | 10.14.97         | sheet                             |
|                           |          |  |            |                  | 3 of 3                            |
| sheet                     | revision |  |            |                  |                                   |
| index                     | sheet    |  |            |                  |                                   |

## X-ON Electronics

Largest Supplier of Electrical and Electronic Components

*Click to view similar products for [Board to Board & Mezzanine Connectors](#) category:*

*Click to view products by [Amphenol](#) manufacturer:*

Other Similar products are found below :

[589158040000018](#) [MDF7C-18P-2.54DSA\(55\)](#) [FCN-230C068-11](#) [FCN-268F012-G/BD](#) [FCN-268F036-G/BD](#) [FCN-268M012-G/0D](#) [FCN-268M024-G/1D](#) [FCN-723J004/1](#) [MIS-048-01-F-D-DP-K](#) [832-10-034-10-001000](#) [FX4C-80S-1.27DSA](#) [FCN-214Q030-G/0](#) [FCN-234P048-G/0](#) [FCN-235D050-G/C](#) [210-93-314-41-105000](#) [2-22603-0](#) [MDF7-40DP-2.54DSA\(55\)](#) [AXG720047](#) [5031084030](#) [MIT-114-03-F-D-K](#) [55323-1519](#) [DF33-2P-3.3DSA\(24\)](#) [YFT-20-05-H-03-SB-K](#) [503308-3040](#) [026-6203-PDB](#) [027-6203-PDB](#) [069159702701000](#) [10123981-102LF](#) [101A10019X](#) [55650-0588-C](#) [68682-310LF](#) [68684-306](#) [75140-7012](#) [87471-650](#) [FCN-268F024-G0D](#) [10124054-515LF](#) [68685-603](#) [8-1616154-3](#) [MIS-019-01-F-D](#) [FCN-268M024-G/3D](#) [FCN-268M036-G/BD](#) [20021832-06016C1LF](#) [KX15-20KLDL-E1000E](#) [AXE810124](#) [FCN-214J100-G/0](#) [FCN-230C068-E/S](#) [AXE812124](#) [AXE816124](#) [AXE720127](#) [354184](#)