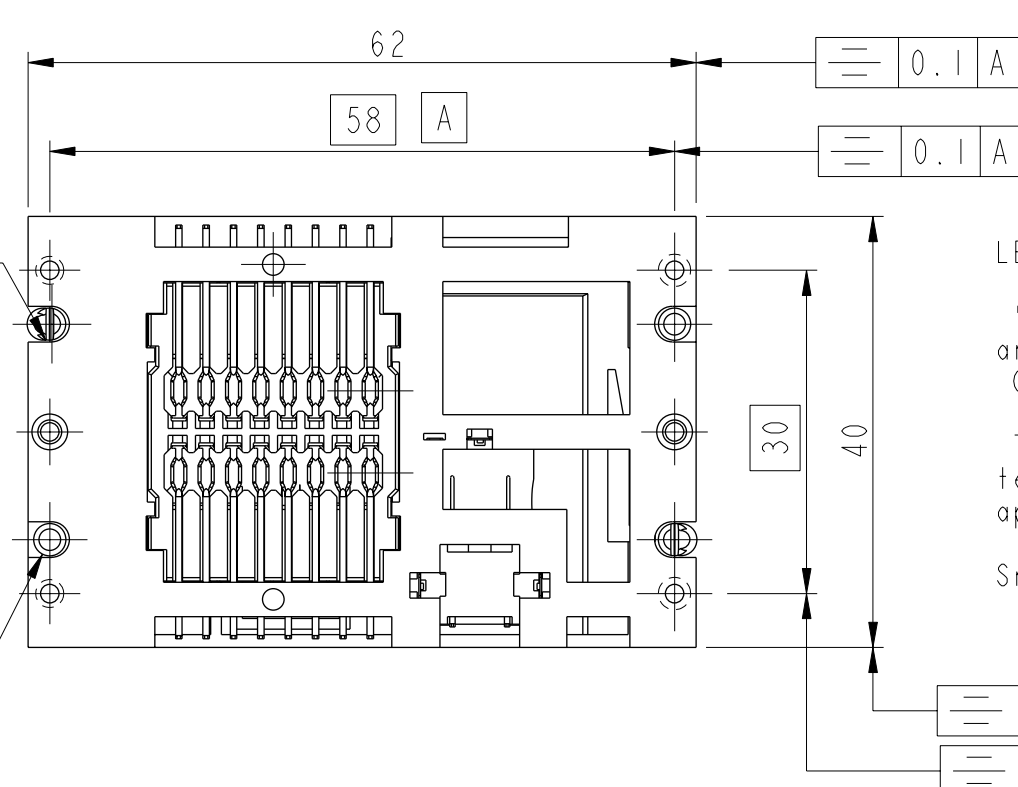
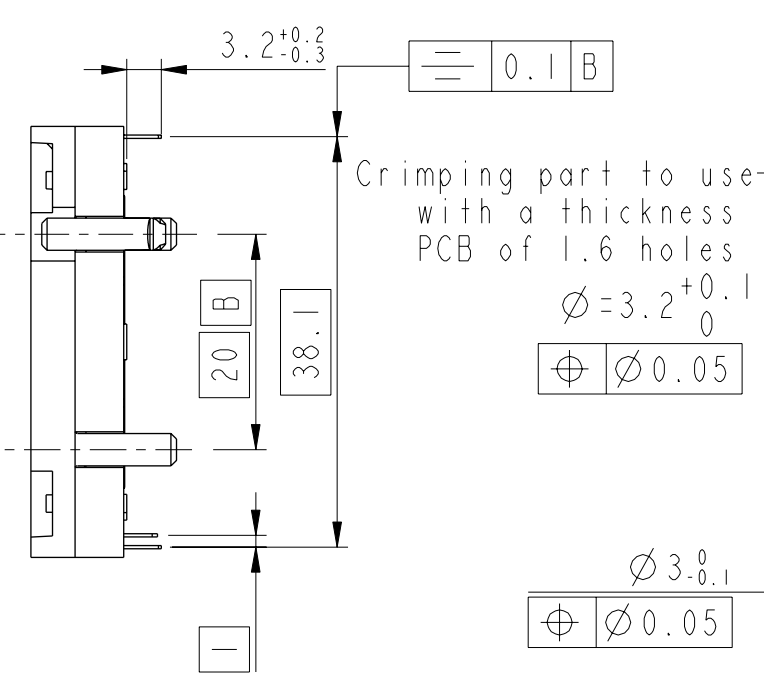
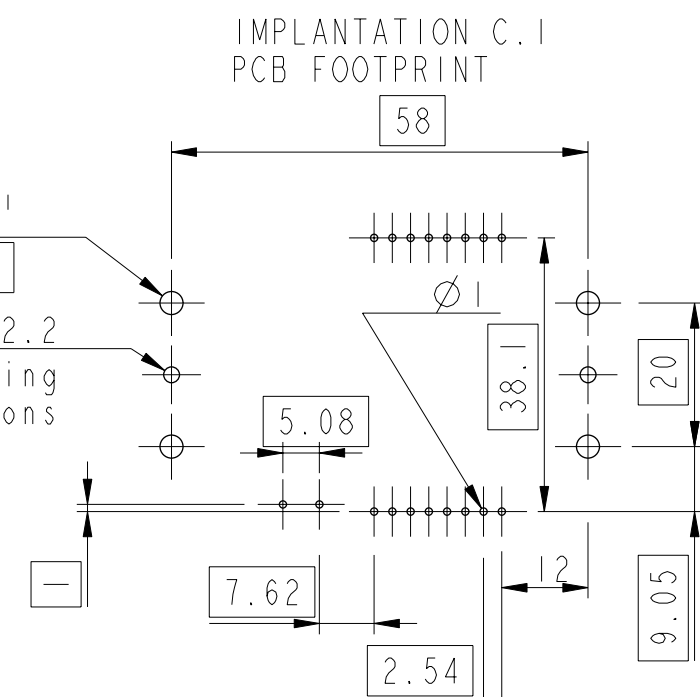
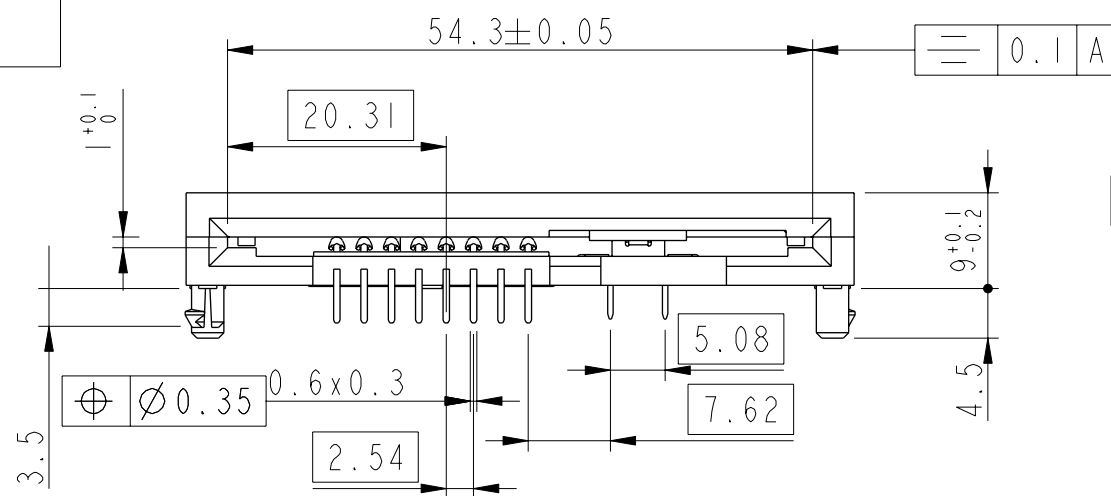


CATALOGUE NUMBER	LEAD FREE VERSION
7434L0835S01	7434L0835S01LF



LEAD FREE VERSION:

"This product meets European Union Directives and other country regulations as described in GS-22-008"

The housing will withstand exposure to 260°C peak temperature for 3-5seconds in a wave solder application with a 1.6mm minimum thick circuit board.

Sn Matte plating on solder tail for Lead Free Versions

Tol Gen: 0mm to 10mm ±0.1mm
 10mm to 30mm ±0.15mm
 30mm to 60mm ±0.2mm
 60mm and above ±0.3mm

rev	ecn no	dr	date
A	F20307	DLE	2002/04/29
B	105-0167	NT	2005/09/26
C	106-0084	SSC	2006/06/21
D	108-0080	SSC	2008/06/28

www.fciconnect.com		surface - ✓ ISO:1302	tolerance std ISO:406 ISO:1101	projection MM
TOLERANCES UNLESS OTHERWISE SPECIFIED				
Dr	D.LEGRAND	2002/04/29	ANGULAR	0.x ±
Eng	F.TISSERAND	2002/04/29	LINEAR	0.xx ±
Chr	S.S.CHERIAN	2008/06/28	0° ±	0.xxx ±
Appr	S.S.CHERIAN	2008/06/28	Product family	SMARTCARD
title			size	
SMARTCARD ASSEMBLY			A3	
L08-16 CONTACTS - 8 CONTACTS			Scale	
catalog no			1:1	
SEE TABLE			ECN 108-0080	
avg no			Spec ref	
VJWI2077			-	
Rev.			D	
sheet 1 of 1				

Copyright FCI.

X-ON Electronics

Largest Supplier of Electrical and Electronic Components

Click to view similar products for [Amphenol manufacturer](#):

Other Similar products are found below :

[PT01SE-16-8P\(027\)](#) [PT01SE-16-8P\(476\)](#) [CTV06RW-11-2JB-LC](#) [97-3108A-22-14P](#) [10-474017-10P](#) [MS27473P14B18S](#) [TV06RW-25-90AE](#)
[CTVS06RF-25-46PB-LC](#) [PT02E10-2PW](#) [PT02E10-2PX](#) [97-3106A18-3PX-958](#) [97-3106A18-3PY-958](#) [PT06J20-24SW](#) [TV06RL-13-35AD](#)
[TV06RL-13-98BD](#) [TV06RW-25-46AE](#) [TV06RL-13-35SD-LC](#) [TV06RL-13-35SD](#) [TV06RL-13-98SD-LC](#) [TV06RL-13-98SD](#) [TVP00RW-23-](#)
[53AD](#) [PT02E10-2PW-025](#) [100-007-213-002-001](#) [2M805-002-16NF23-12PA](#) [97-3108B16S-5PW-417](#) [97-3108B16S-5PY-417](#) [CS-](#)
[DSDMDB37MF-025](#) [97-3108B16S-5PZ-417](#) [GTC02R32-17S-025-RDS](#) [PT06SE2041P](#) [CF-5A9013-04N](#) [CF-6A4615-06N](#) [GTC02R32-17S-](#)
[025-RDS-LC](#) [GTC02R32-17S-025-LC](#) [PT06SE-24-61P\(LC\)](#) [SP28W1F](#) [TV07DT-25-37P](#) [TV07DT-25-37JN-LC](#) [TV07DT-25-37S](#) [TV07DT-](#)
[25-37S-LC](#) [TV07DT-25-46P-LC](#) [97-3101A20-21P-958](#) [TV07DT-25-90P-LC](#) [TV07DT-25-46A](#) [TV07DT-25-37P-LC](#) [GTS08-36-22PZ-025-](#)
[B30](#) [PT00SP2241P](#) [CTVPS00RF-15-15AC](#) [LJT06RT-15-35PB\(023\)](#) [TVS07RF-15-15AB](#)