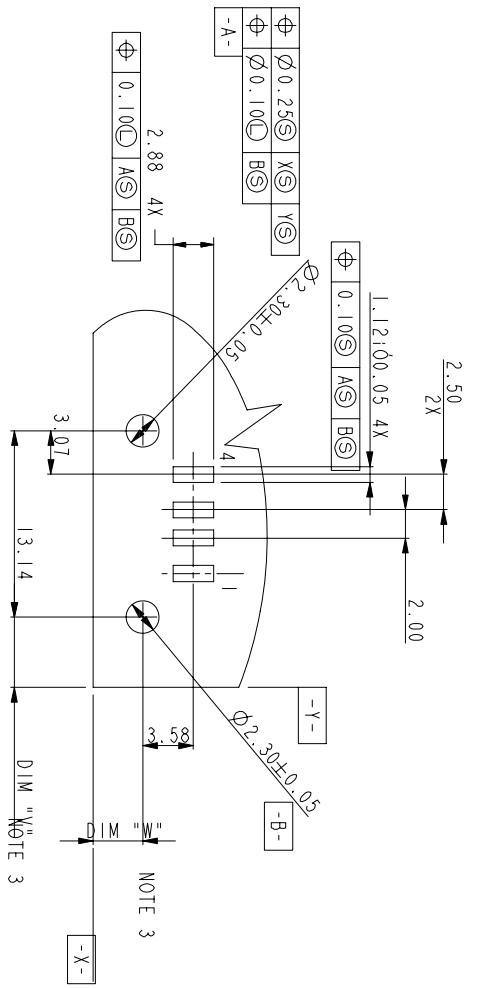
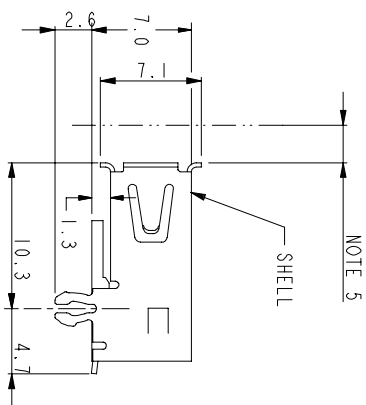
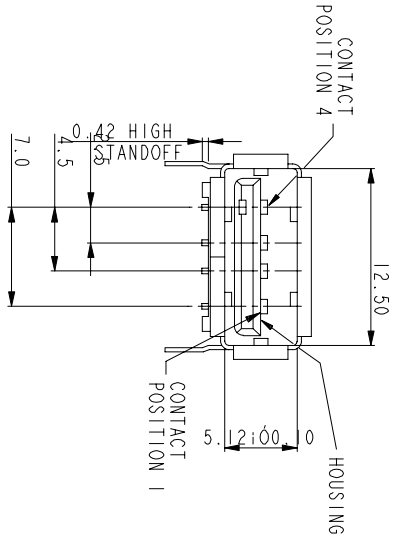
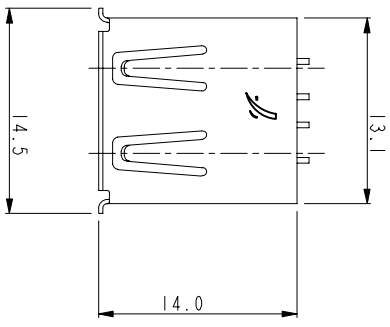




Copyright FCI.



P.C. BOARD LAYOUT FOR 4 PIN 74626-X11XB

NOTES:

1. MATERIAL:
CONTACTS: COPPY ALLOY
SHELL: COPPY ALLOY
HOUSING: UL 94V-0 RATED THERMOPLASTIC
2. PLATING:
SEE PRODUCT NUMBER CODE
3. DATUM AND BASIC DIMENSIONS ESTABLISHED BY CUSTOMER
4. RECOMMENDED PC BOARD THICKNESS OF 1.57mm
5. 2.67mm MAXIMUM PANEL THICKNESS IF MOUNTED BEHIND PANEL
6. CONTACT PLATING CODE OPTION 1 DOES NOT MEET THE PLATING SPECIFIED PER UNIVERSAL SERIAL BUS SPECIFICATION REVISION 1.0
7. MAXIMUM PANEL THICKNESS TO BE 2.67mm IF MOUNTED BEHIND PANEL.
8. TORQUE SPEC 2.0kgf-cm MAX.

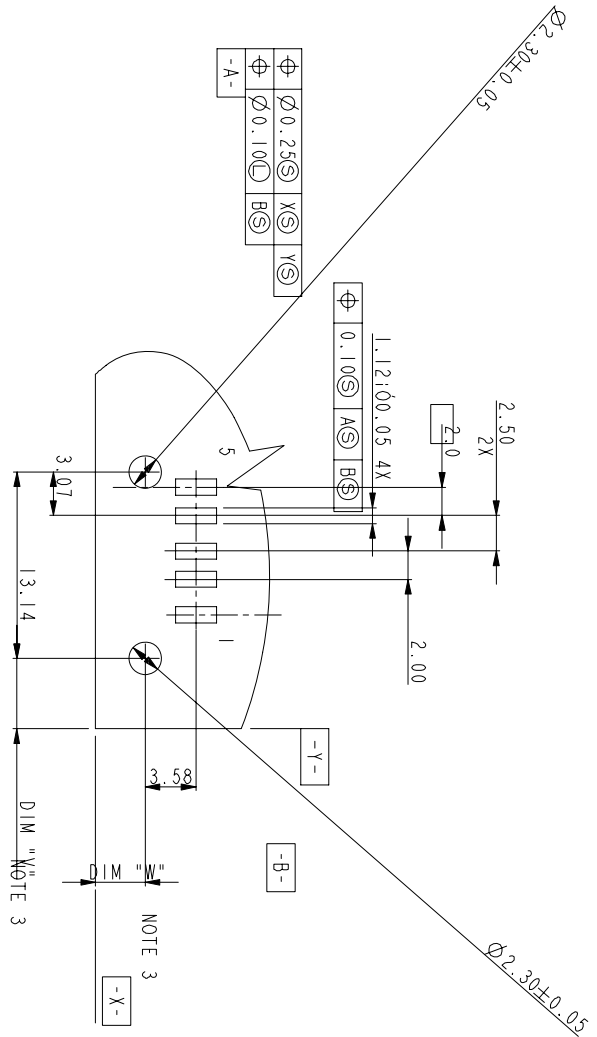
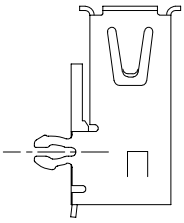
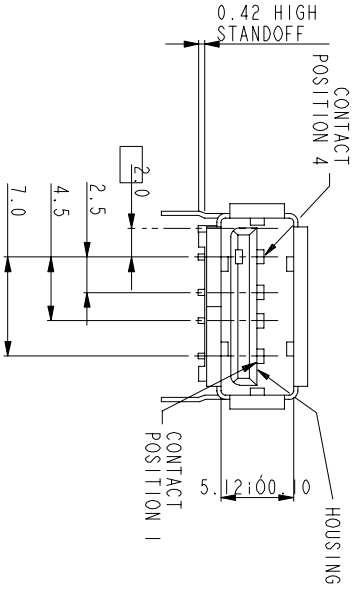
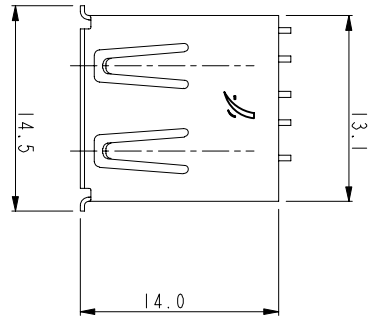
REV	ECN NO	DR	DATE
M	N05-0103	PH	04/06/05
N	N06-0298	HH	11/29/06
P	N08-0031	R.B	2008/02/27
R	N08-0238	R.B	2008/11/03
S	EX-N15753	R.B	2013/09/05

www.fciconnect.com		surface		tolerance std		projection		Scale	
		TOLERANCES UNLESS OTHERWISE SPECIFIED						1:1	
DR	PETER	7/8/98	ANGULAR	0.X	±0.3	⊕	size	A4	Scale
Eng	R Y LIU	7/8/98	LINEAR	0.XX	±0.2	⊕	size	A4	1:1
Chr	R Y LIU	7/8/98	°	±5°	±	⊕	ECN	EX-N15753	
Appr	JENN TSAO	7/8/98	Product family			⊕	Spec ref		
FCI logo		RECEPTACLE SMT		CUSTOMER		74626		Rev. S	

REV F - 2004-11



Copyright FCI.



P.C. BOARD LAYOUT FOR 5 PIN 74626-X01XB

www.fciconnect.com		surface	tolerance	std	projection	MM
TOLERANCES UNLESS OTHERWISE SPECIFIED		ANGULAR	0.X	±0.3	size A4	
Dr	PETER	7/8/98	LINEAR	0.XX	±0.2	Scale 1:1
Eng	R Y LIU	7/8/98	Product family	±	ECN	EX-N-15753
Chr	R Y LIU	7/8/98	Appr	JENN TSAO	7/8/98	Spec ref

	USB REVERSED	Rev.
	RECEPTACLE SMT	74626
catalog no	CUSTOMER	sheet 2 of 3

PRODUCT NUMBER CODE

74626 - X X X X P LF

BASE PRODUCT NUMBER

HOUSING COLOR OPTIONS

- 0 - WHITE
- 1 - BLACK

2 - WHITE + SHELL NICKEL PLATING ONLY

SENSOR CONTACT OPTION

- 0 - WITH SENSOR CONTACT
- 1 - WITHOUT SENSOR CONTACT

SHELL OPTIONS

- 1 - WITHOUT BACK SHIELD
- 3 - WITHOUT BACK SHIELD & NICKEL PLATING ONLY
- 5 - WITHOUT BACK SHIELD & NICKEL PLATING ONLY (SPECIAL MATERIAL FOR DURABILITY (2,000 CYCLES))

TERMINAL PLATING OPTION

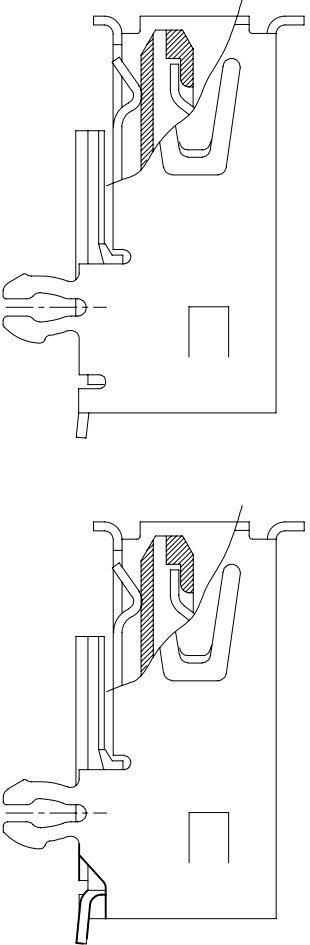
- 0 - 1.25um Ni UNDERPLATE
- 0.76um GXT CONTACT AREA
- 2.50 um TIN/LEAD TAIL AREA

PACKAGING OPTION

- B - TUBES
- R - TAPE & REEL

DATE CODE

LEAD FREE



STYLE 1

STYLE 2

NOTES:

1. P/N'S WITH SUFFIX "LF" ARE LEAD FREE P/N'S
2. PACKING STANDARD GS-14-920 WILL BE APPLIED FOR LEAD FREE P/N'S
3. FOR LEAD FREE P/N, THE PRODUCT MEET EUROPEAN UNION DIRECTIVES AND OTHER COUNTRY REGULATION AS DESCRIBED IN GS-22-008
4. FOR LEAD FREE P/N, THE HOUSING WILL WITHSTAND EXPOSURE TO 260°C PEAK TEMPERATURE FOR 40 SECONDS IN A CONVECTION, INFRARED OR VAPOR PHASE REFLOW OVEN.
5. AVAILABLE P/N'S NOW IN FCI ARE

PART NUMBER	STYLE
74626-010XXLF	STYLE 1
74626-1010XXLF	STYLE 1
74626-0110XXLF	STYLE 1
74626-1130XXLF	STYLE 1
74626-2010XXLF	STYLE 2
74626-2110XXLF	STYLE 2
74626-1110XXLF	STYLE 1
74626-01S0XP1F	STYLE 2
74626-11S0XP1F	STYLE 2

Copyright FCI.



www.fciconnect.com		surface	tolerance std	projection	MM
Dr	PETER	ANGULAR	0.X	size	A4
Eng	R Y LIU	LINEAR	±0.3	Scale	1:1
Chr	R Y LIU	0° ±5°	±0.2	ECN	EX-N15753
Appr	JENN TSAO	Product family	0.XXX	Spec ref	



USB REVERSED RECEPTACLE SMT

CUSTOMER	74626	Rev.	S
----------	-------	------	---

X-ON Electronics

Largest Supplier of Electrical and Electronic Components

Click to view similar products for [USB Connectors](#) category:

Click to view products by [Amphenol](#) manufacturer:

Other Similar products are found below :

[65-647-8-BK-BU](#) [950](#) [E8144-B01021-L](#) [A-USB A-LP-SMT-C](#) [A-USB B-TOP-C](#) [MUSBA511N5](#) [MUSBD11135](#) [217450-1](#) [CA 6 W LD](#)
[KMBVX-TH-5S-B30](#) [896-30-004-00-000000](#) [KUSBVX-BS1N-W30](#) [KUSBX-AP-KIT-SCBLK](#) [KUSBX-AS2N-W](#) [KUSBX-SMT2AP1S-W](#)
[KUSBX-SMT2AP1S-W30](#) [935](#) [957](#) [30-498-6](#) [1734082-1](#) [30-1574](#) [30-470](#) [30-489](#) [30-541](#) [30-572-3](#) [MAB 8 SN V](#) [A-USB A-2P-C](#)
[MIKROE-1451](#) [USBFTV2PEM2G](#) [USBFTVC6ZN](#) [KUSBX-AS2N-W30](#) [KUSBX-SLAS1N-W](#) [KUSBX-SMT-AS1N-W30](#) [4689-1](#) [1-](#)
[1734084-2](#) [E8110-001-01](#) [MUSBA81130](#) [33UBARS1-04SW11](#) [33UBAR-04SW11](#) [USBF21ZNSCC](#) [USBBFTV6ZC](#) [10135326-001LF](#)
[M9177/3-1](#) [925](#) [4198](#) [690-024-633-031](#) [KUSBEX-BSFS1N-W](#) [USBFTVC6MRG](#) [UA-20BMFA-SL8001](#) [17-200011](#)