

PRODUCT NUMBER  
75168-YXX-XXLF

INDICATES THE PRODUCT IS RoHS COMPLIANT & COMPATIBLE, SEE NOTE 8  
TOTAL NB OF POSITIONS 02 TO 36

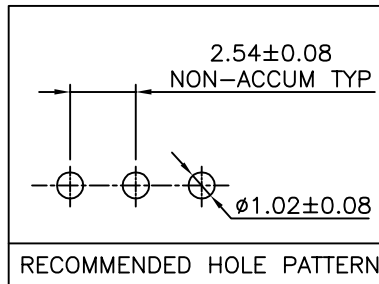
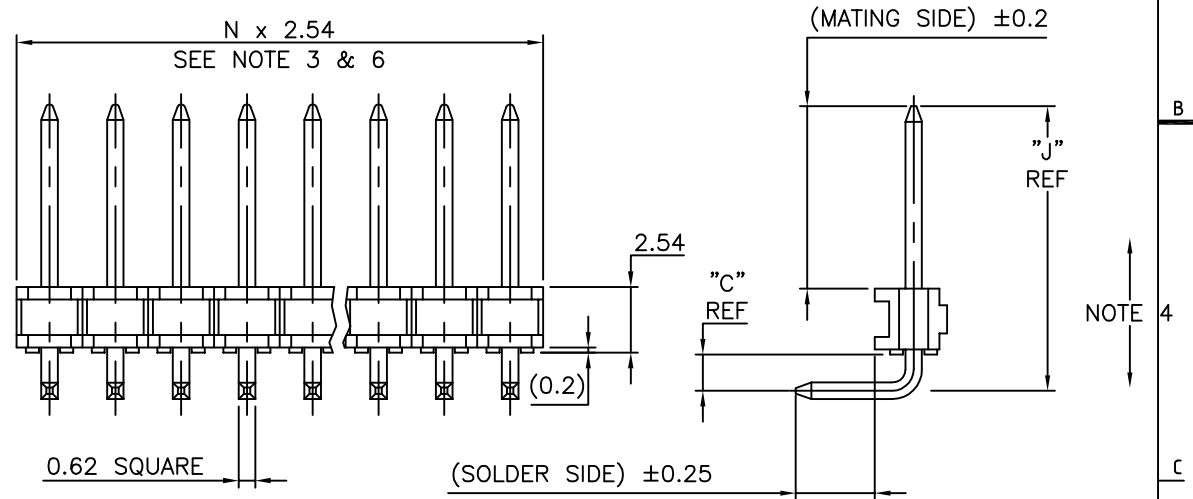
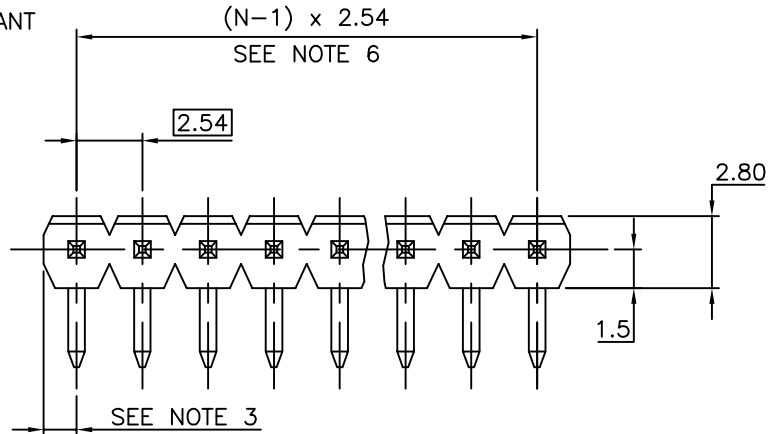
PLATING:

PIN STYLE SEE SHEET 2

- 1 = 0.76µm FULL GOLD/GXT, OVER 1.27µm Ni MIN
- 3 = 3.81µm FULL TIN/LEAD OVER 1.27µm Ni MIN.  
WHEN "LF" IS REQUIRED, 2µm MATTE TIN OVER 1.27µm MIN NICKEL IS PROVIDED INSTEAD OF TIN-LEAD
- 8 = 0.38µm FULL GOLD/GXT, OVER 1.27µm Ni MIN

NOTES:

1. HOUSING MAT'L : HIGH TEMPERATURE THERMOPLASTIC FLAME RETARDANT PER UL94-V0, COLOR BLACK.
2. PIN MATERIAL : PHOSPHOR BRONZE.
3. DIM 1.27<sup>+0.03</sup> FOR MOULDED SIDE(S) ONLY. IF SIDE(S) ARE BROKEN, DIM 1.02 TO 1.7 MAX APPLIES.
4. PIN PUSH OUT FORCE : 12N MIN.
5. PRODUCT PACKAGED IN POLY BAGS.
6. TO DETERMINE DIMENSIONS :  
N = NUMBER OF POSITIONS  
EXAMPLE : 8 POS N x 2.54 = 20.32mm
7. FOR STANDARD SELECTIVE GOLD PLATED PRODUCTS, SEE DRAWING 77315.
8. RoHS COMPATIBLE PRODUCT SPECIFICATIONS
  - a - SUFFIX "LF" IS ADDED JUST FOR EASY LEADFREE IDENTIFICATION FOR PLATING VERSION 1 & 8.
  - b - MANUFACTURING PROCESS COMPATIBILITY
    - THE HOUSING WILL WITHSTAND EXPOSURE TO 260°C ±5°C SOLDER BATH TEMPERATURE FOR 5 SECONDS IN A WAVE SOLDER APPLICATION WITH A 1.6mm MIN THICK CIRCUIT BOARD.
  - c - LABELING:
    - MEETS PACKAGING SPECS AS PER GS-14-920
  - d - LEGAL STATEMENT: SEE GS-22-008



mat'l. code SEE NOTE 1		surface ISO 1302	tolerance ISO 406 ISO 1101	projection	product family BSTIK
ltr	ecn no	dr	date	tolerances unless otherwise specified	title
AG	F06-0196	LMU	06.06.20	angles	HEADER,SR,RA, POL,2.54mm
AH	F08-0148	JCO	08.05.27	linear	
AJ	F12-0042	LMU	12.04.04	.x ±0.3 .xx ±0.15 xxx ±0.05	scale 5:1
AK	F12-0802	LMU	12.10.25	dr	MULIN L
				enr	JMC
AE	F20149	DLE	02.02.19	chr	
AF	F05-0186	LMU	05.05.02	appd	JMC
sheet index	revision sheet	AK	AG		
		1	2		



FCIconnect.com

Copyright FCI

APPLICATION SPECIFIC

PIN	STYLE	MATING	SOLDER	"C"	"J"
01		5.72	2.57	1.4	9.65
02		5.72	5.11	1.4	9.65
03		5.72	7.65	1.4	9.65
04		5.72	10.19	1.4	9.65
05		5.72	12.73	1.4	9.65
06		5.72	15.27	1.4	9.65
07		5.72	5.11	3.94	12.19
08		5.72	7.65	3.94	12.19
09		5.72	10.19	3.94	12.19
10		5.72	12.73	3.94	12.19
11		5.72	15.27	3.94	12.19
13		5.72	3.45	1.4	9.65
14		5.72	5.99	3.94	12.19
15		5.72	8.53	6.48	14.73
16		8.51	3	1.4	12.45
17		8.51	5.54	3.94	14.99
19		5.72	3.05	1.4	9.66
20		5.84	2.29	1.4	9.78
21		5.72	11.07	9.02	17.27
22		11.71	3.2	1.4	15.65
23		3	2.94	1.94	7.44
24		4.8	6.16	1.94	9.28
27		3.55	3.3	1.4	7.49
28		10	3.2	1.4	13.94
29		7.30	7.30	1.4	11.24
30		8.10	12.50	1.4	12.04
31		6.70	3.00	1.4	10.64

mat'l. code		SEE SHEET 1		surface		tolerance		projection		product family	
				ISO 1302		ISO 406 ISO 1101				BSTIK	
ltr	ecn no	dr	date	tolerances unless otherwise specified							
AG	F12-0802	LMU	12.10.25	angles		linear		mm		title	
										HEADER,SR,RA, POL,2.54mm	
AB	F00196	LMU	00.04.19					scale		sheet 2 of - size	
AC	F10167	LMU	01.03.12	dr	MULIN L	99.03.29			75168		A3
AD	F20116	DLE	02.01.15	enfr	JMC	99.03.29			CUSTOMER		Drawing
AE	F06-0196	LMU	06.06.20	chr							
AF	F12-0042	LMU	12.04.04	appd	JMC	99.03.29					
sheet index	revision sheet										

## X-ON Electronics

Largest Supplier of Electrical and Electronic Components

*Click to view similar products for [Headers & Wire Housings](#) category:*

*Click to view products by [Amphenol](#) manufacturer:*

Other Similar products are found below :

[892-18-020-10-001101](#) [58102-G61-06LF](#) [582553-1](#) [0009485154](#) [009176003701906](#) [0050291907](#) [LY20-4P-DT1-P1E-BR](#) [02.125.8002.8](#)  
[609-3404](#) [61062-3](#) [622-0430](#) [622-3653LF](#) [63453-116](#) [636-1030](#) [636-1427](#) [636-3427](#) [636-4007](#) [641938-9](#) [641991-4](#) [644827-2](#) [65817-010LF](#)  
[65817-015LF](#) [65863-015LF](#) [66207-023LF](#) [67095-007LF](#) [67601157](#) [68648-049](#) [70.362.1628.0](#) [70-4210](#) [70-4226B](#) [70-4853B](#) [707-5020](#) [707-5028](#) [71.350.2428.0](#) [71918-208LF](#) [71961-016LF](#) [733-134](#) [733-162](#) [754199-000](#) [760-3052](#) [787-8014-00](#) [79531-3000](#) [FCN-360C032-B](#) [FCN-367T-T012/H](#) [FCN-723D010/2](#) [80.063.4001.1](#) [800-90-001-10-001000](#) [800-90-010-10-002000](#) [801-43-002-10-013000](#) [801-43-006-10-002000](#)