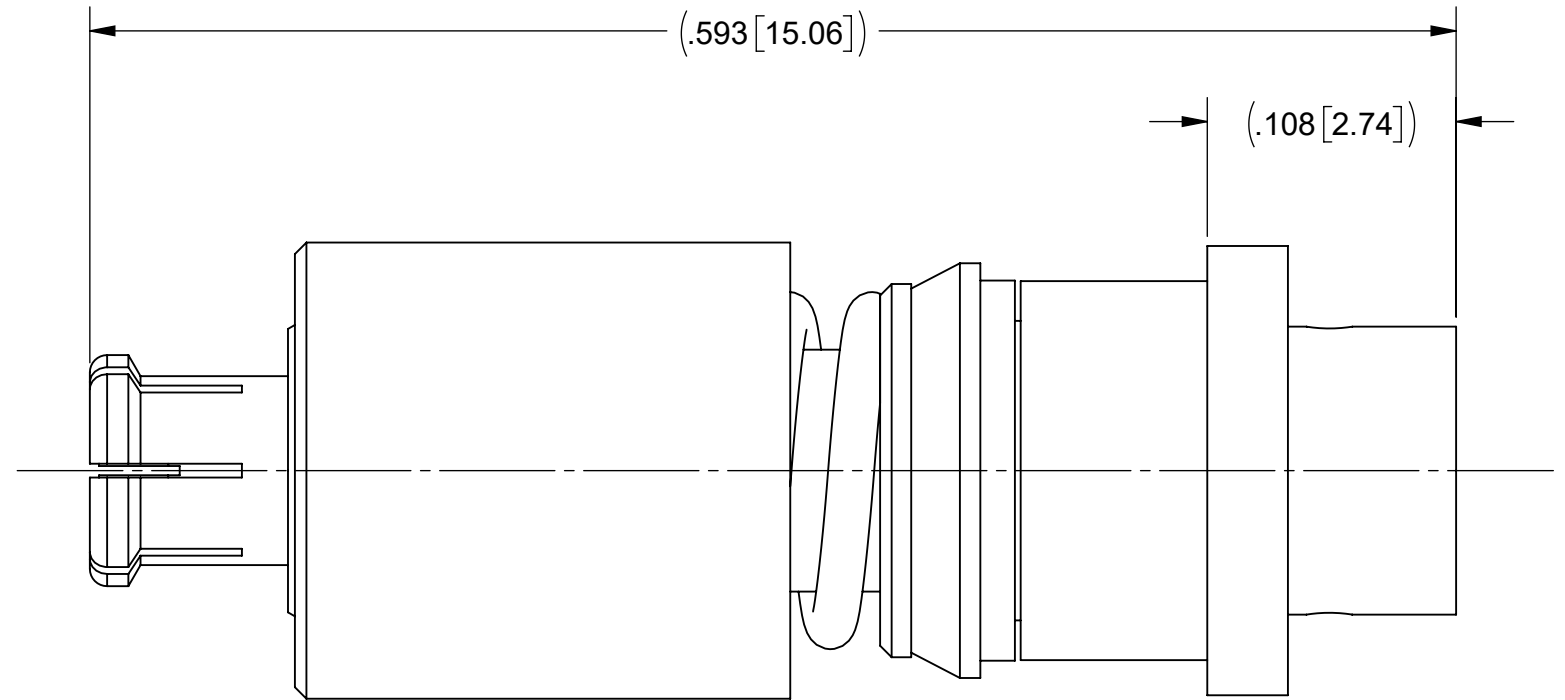
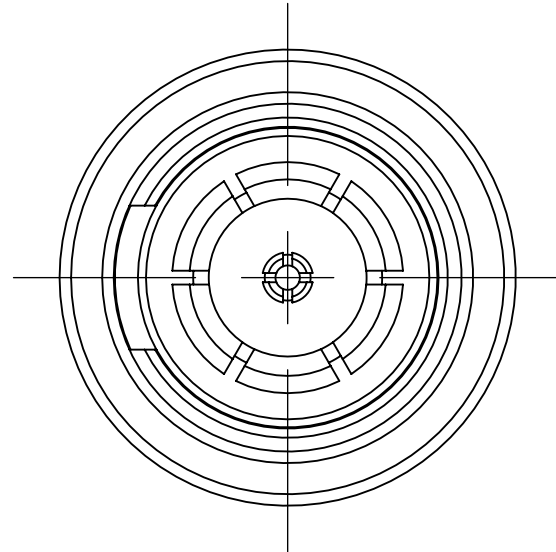
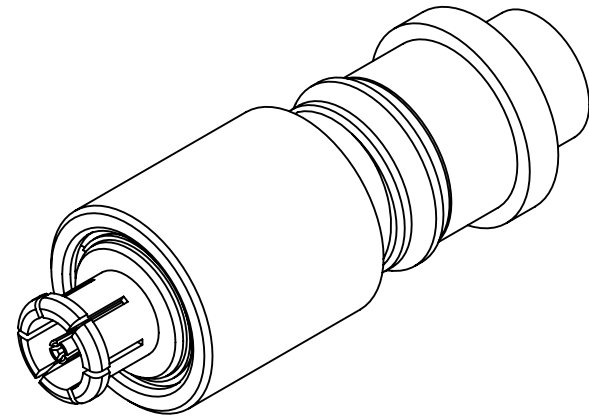


REVISION HISTORY			
REV	DESCRIPTION	DATE	APPROVED
-	NRN 48124	3/24	SEE PDM

# PRODUCT DATA DRAWING



### MATERIAL:

BODY, FERRULE, CLIP,  
RING & CONTACT:

BERYLLIUM COPPER PER ASTM B196,  
ALLOY No. UNS C17300, TD04

INSULATORS:

PTFE PER ASTM D1710, TYPE I, GRADE 1, CLASS B

SLEEVE:

STAINLESS STEEL PER AMS-5678,  
ALLOY UNS S17700

ALIGNMENT SLEEVE:

STAINLESS STEEL PER ASTM A838 ALLOY 2, TYPE 430FR

SPRING:

302 STAINLESS STEEL PER ASTM A313

### FINISH:

BODIES &  
CONTACTS:

GOLD PER ASTM B488, TYPE II,  
CODE C, CLASS 1.27, OVER NICKEL  
PER AMS-QQ-N-290, CLASS 1, .00005" MIN.

SLEEVE &  
ALIGNMENT SLEEVE:

PASSIVATED PER AMS 2700

RING:

NICKEL PER AMS-QQ-N-290, CLASS 1, GRADE G

### PERFORMANCE:

IMPEDANCE:

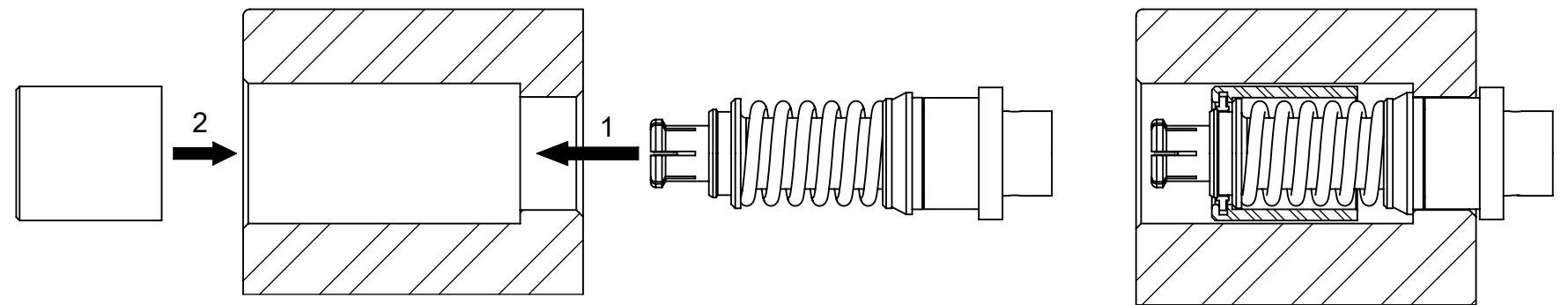
75 OHMS

FREQ. RANGE:

DC TO 18.0 GHz.

### NOTES:

- FOR USE IN VITA 67.3 BACKPLANE MODULE SF9321-60086 OR SIMILAR.
- MATES TO CONTACT 7511-60001 OR SIMILAR.
- INSERTION/REMOVAL TOOL P/N 500-32-050.



## INSTALLATION

## ASSEMBLED

MATERIAL:	SEE NOTES	DIMENSIONS ARE IN INCHES TOLERANCES:	UNLESS OTHERWISE SPECIFIED 1) ALL DIMENSIONS ARE IN INCHES (MILLIMETERS) 2) ALL DIMENSIONS ARE AFTER PLATING. 3) BREAK CORNERS & EDGES .005 R. MAX. 4) CHAM. 1ST & LAST THREADS. 5) SURFACE ROUGHNESS 63-MIL-STD-10. 6) DIA.'S ON COMMON CENTERS TO BE CONCENTRIC WITHIN .005 T.I.R. 7) REMOVE ALL BURRS	 www.svmicrowave.com TITLE: 75 OHM STR. SPMP F VITA 67.3 BACKPLANE CONNECTOR FOR BELDEN1672A CABLE SIZE DWG. NO. B 7521-40002 SCALE: 12:1 SHEET 1 OF 1
FINISH:	SEE NOTES	FRACTIONAL: $\pm 1/64$ ANGULAR: X° $\pm 1'0''$ X'X' $\pm 15'$ DECIMAL: X $\pm .030$ .XX $\pm .010$ .XXX $\pm .005$ INTERPRET DIMENSIONS AND TOLERANCES PER ASME Y14.5M - 1994		
SURFACE AREA:	N/A	THIRD ANGLE PROJECTION	DRAWN: SSR 3/5/24	
<b>PROPRIETARY</b> THE INFORMATION CONTAINED IN THIS DRAWING IS THE SOLE PROPERTY OF SV MICROWAVE, INC. ANY REPRODUCTION IN PART OR AS A WHOLE WITHOUT THE WRITTEN PERMISSION OF SV MICROWAVE, INC IS PROHIBITED.			CHECKED: SEE PDM	
			APPROVED: SEE PDM	

## X-ON Electronics

Largest Supplier of Electrical and Electronic Components

*Click to view similar products for [RF Connectors / Coaxial Connectors](#) category:*

*Click to view products by [Amphenol](#) manufacturer:*

Other Similar products are found below :

[89674-0827](#) [6059674-1](#) [630059-000](#) [6501-1071-002](#) [6769](#) [7002-1541-010](#) [7002-1572-002](#) [7004-1512-000](#) [7009-1511-004](#) [7101-1541-010](#)  
[7101-1571-002](#) [7105-1521-002](#) [7203-1571-003](#) [7209-1511-011](#) [7210-1511-040](#) [7242-1511-000](#) [7405-1521-005](#) [7405-1521-802](#)  
[804S01D04M040](#) [8527](#) [8547](#) [FS11V](#) [877931](#) [8808-1511-001](#) [9049-9513-000](#) [9074-9513-000](#) [PL11C-026](#) [PL40-36](#) [9408-1113-000](#) [980-](#)  
[8666-005](#) [11 SMA-50-2-6 / 111 NE](#) [11 SMA-50-3-6 / 111 NE](#) [1-201144-1](#) [120919](#) [R107003010W](#) [R112186000](#) [R113053000W](#) [R113082097](#)  
[R113236000](#) [R114083000](#) [R114670000W](#) [R123415000W](#) [R124076320](#) [R124076450](#) [R124175123](#) [R125075000W](#) [R125075001](#)  
[R125172000W](#) [R125415030](#) [R141007161](#)