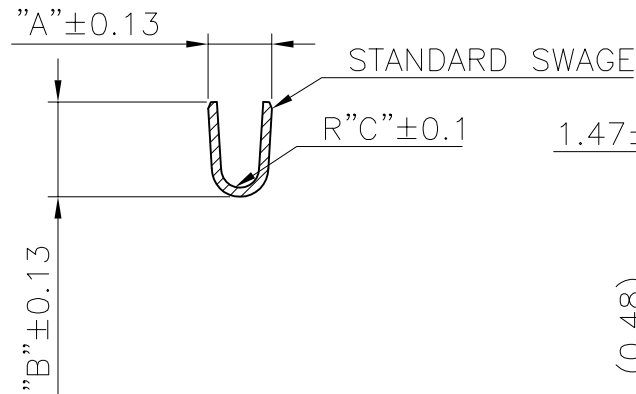


PRODUCT NO.	PLATING CODE	AWG RANGE	SPRING THICKNESS
75241-032LF	A	22-26	0.17
75241-031LF	A	22-26	0.09
75241-030LF	A	22-26	0.12
75241-029LF	A	28-32	0.17
75241-028LF	A	28-32	0.12
75241-027LF	B	22-26	0.17
75241-026LF	B	22-26	0.09
75241-025LF	B	22-26	0.12
75241-024LF	B	28-32	0.17
75241-023LF	B	28-32	0.12
75241-015LF	C	22-26	0.17
75241-014LF	C	22-26	0.09
75241-013LF	C	22-26	0.12
75241-004LF	C	28-32	0.17
75241-003LF	C	28-32	0.09
75241-002LF	C	28-32	0.12
75241-XXXLF IS SIMILAR TO 75241-XXX, THE SUFFIX 'LF' IS ADDED FOR LEAD FREE IDENTIFICATION.			

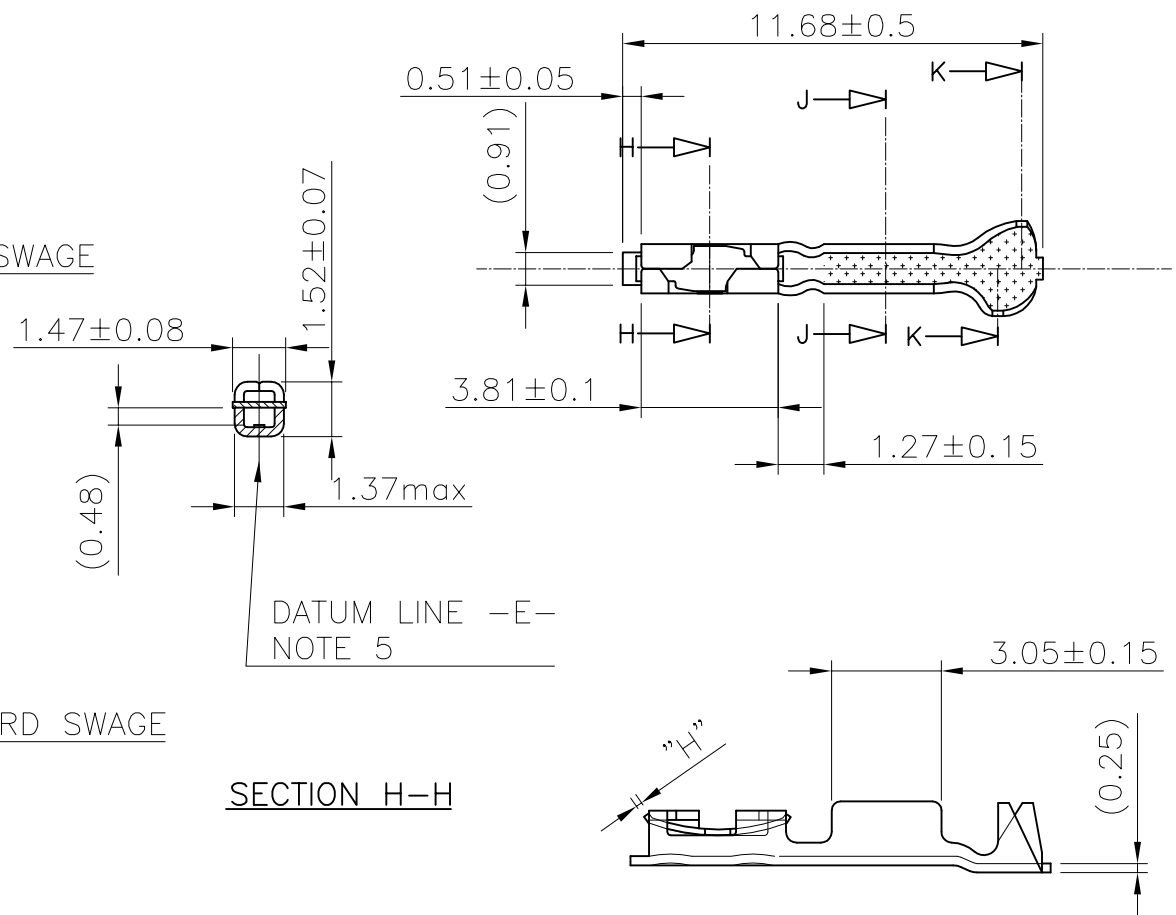
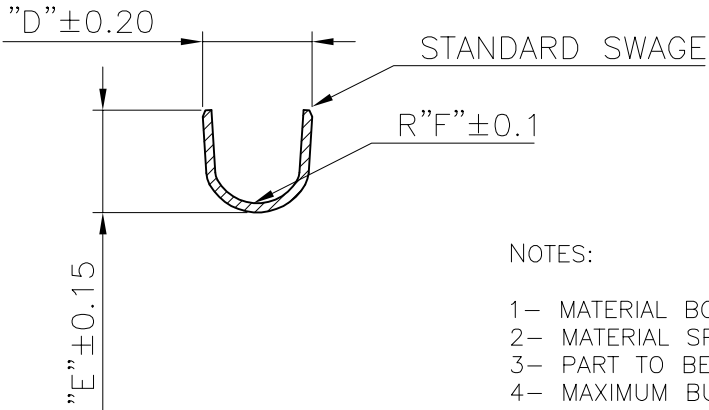
AWG RANGE	WIRE BARREL			INSULATION BRL.			INSULATION RANGE
	A	B	C	D	E	F	
22-26	1.78	1.78	0.43	1.70	1.93	0.56	0.51-1.14
28-32	1.37	1.47	0.28	1.70	1.93	0.56	0.51-1.14

PLATING CODE	PLATING THICKNESS			UNDER LAYER
	CONTACT AREA	INSIDE BOX	REMAINDER	
A	0.76µm Au	0.2µm Au	GOLD FLASH	1.3µm Ni
B	1.0µm Au	0.2µm Au	GOLD FLASH	1.3µm Ni
C	1.0µm Au	0.2µm Au	0.2µm Au	1.3µm Ni

SECTION J-J
WIRE BARREL



SECTION K-K
INSULATION BARREL



NOTES:

- MATERIAL BOX: BRASS ASTM B36, ALLOY C26000-H01.
 - MATERIAL SPRING: BERYLLIUM COPPER ASTM B194, ALLOY C17200-TF00.
 - PART TO BE LUBRICATED TO FACILITATE CRIMPING.
 - MAXIMUM BURR ANY EDGE 0.08.
 - BOTTOM SURFACE OF TERMINAL SHALL BE WITHIN 0.08 OVER 8.64 REF. LENGTH AS MEASURED ALONG DATUM LINE -E- ESTABLISHED AT C OF 1.37 DIMENSION PERFECT FORM NOT REQUIRED AT MMC.
 - TAB CUT-OFF DIMENSION IS VERY CRITICAL WHEN USED IN CONJUNCTION WITH MINI-ROD AND MINI-LATCH HOUSING.
 - PART TO MATE WITH 0.64 ± 0.05 SQUARE PIN.
 - APPLICATION SPECIFICATIONS:
 - BUS-20-025 PRODUCT SPECIFICATION.
 - RoHS COMPATIBLE PRODUCT SPECIFICATIONS
 - PLATING:
 - "LF" MEANS THE PRODUCT IS LEAD-FREE
 - LABELING:
 - MEETS PACKAGING SPECS AS PER GS-14-920
 - LEGAL STATEMENT: SEE GS-22-008
- THE PRODUCT IS NOT INTENDED TO BE EXPOSED TO A MANUFACTURING SOLDER PROCESS.

mat'l. code SEE DRAWING		surface ISO 1302	tolerance ISO 406	projection ISO 101	product family BERGCON
ltr	ecn no	dr	date	tolerances unless otherwise specified	title
C	F20410	OMA	92.08.03	±13	CTW MINI PV L. Pce SMALL INSULA.
D	F05-0235	DLE	05.09.13	angles linear	
E	F05-0286	DLE	05.11.07	±2'	scale 10:1
F	F06-0217	DLE	06.07.11	dr	
G	F08-0160	PNZ	08.04.21	enr	
				chr	
				appd	sheet 1 of 1 size A3 type CUSTOMER Drawing
sheet index	revision sheet				

X-ON Electronics

Largest Supplier of Electrical and Electronic Components

Click to view similar products for [Headers & Wire Housings](#) category:

Click to view products by [Amphenol](#) manufacturer:

Other Similar products are found below :

[892-18-020-10-001101](#) [58102-G61-06LF](#) [582553-1](#) [0009485154](#) [009176003701906](#) [0050291907](#) [LY20-4P-DT1-P1E-BR](#) [02.125.8002.8](#)
[609-3404](#) [61062-3](#) [622-0430](#) [622-3653LF](#) [63453-116](#) [636-1030](#) [636-1427](#) [636-3427](#) [636-4007](#) [641938-9](#) [641991-4](#) [644827-2](#) [65817-010LF](#)
[65817-015LF](#) [65863-015LF](#) [66207-023LF](#) [67095-007LF](#) [67601157](#) [68648-049](#) [70.362.1628.0](#) [70-4210](#) [70-4226B](#) [70-4853B](#) [707-5020](#) [707-](#)
[5028](#) [71.350.2428.0](#) [71918-208LF](#) [71961-016LF](#) [733-134](#) [733-162](#) [754199-000](#) [760-3052](#) [787-8014-00](#) [79531-3000](#) [FCN-360C032-B](#) [FCN-](#)
[367T-T012/H](#) [FCN-723D010/2](#) [80.063.4001.1](#) [800-90-001-10-001000](#) [800-90-010-10-002000](#) [801-43-002-10-013000](#) [801-43-006-10-002000](#)