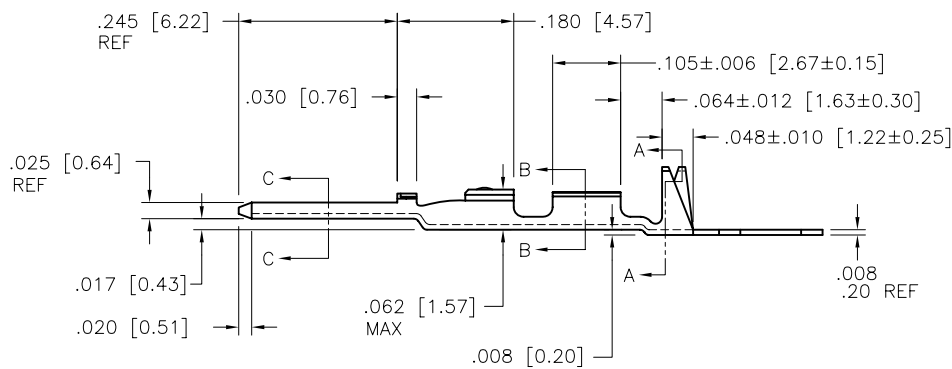
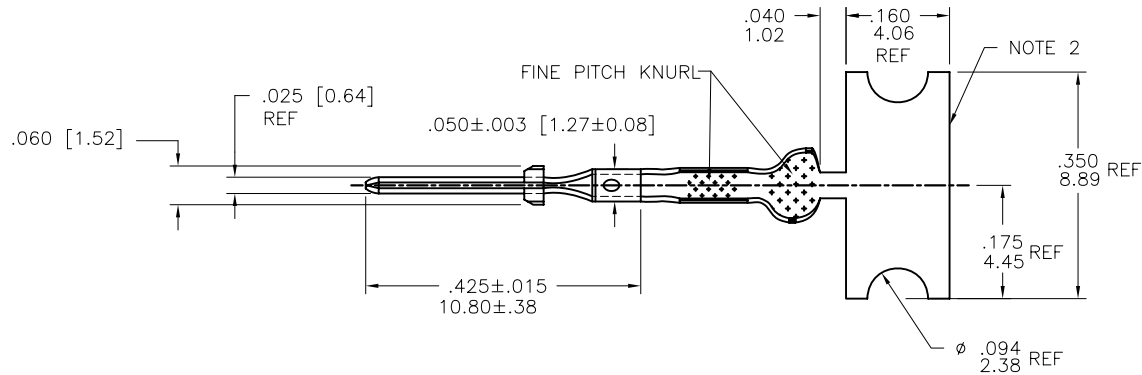
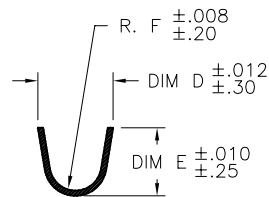


PRODUCT NUMBER
SEE SHEET 2

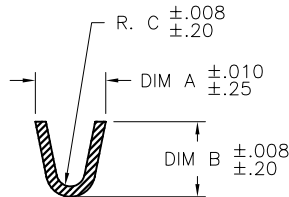


mat'l. code 3/4 HD BRASS CDA NO. 260				surface <input checked="" type="checkbox"/> tolerance		projection		product family PV TERMINAL	
ltr ecn no dr date				tolerances unless otherwise specified				title CTW MALE PIN	
D	V41703	SAR	1994-11-30	angles	$\frac{XX}{100} \pm 0.01 / X \pm 3$	INCH/MM			
E	V80946	LSS	1998-06-03		$\frac{XXX}{1000} \pm 0.005 / XXX \pm 13$				
F	V04-0056	VS	2004-02-17	$0^\circ \pm 2'$	$\frac{XXXX}{10000} \pm 0.0020 / XXX \pm 0.051$	scale 4/1			
G	V05-0467	HTB	2005-05-23	dr	S ROYER	1994-11-30		dwg no sheet 1 of 3 size	
H	V06-0623	HTB	2006-06-28	ENGR	T.HANNA	1994-11-30		75653 A4	
J	V07-0218	HTB	2007-03-16	chr	T.HANNA	1994-11-30			
K	V08-0440	HTB	2008-10-09	appd	T.HANNA	1994-11-30		type CUSTOMER Drawing	
sheet index	revision	K	K	K					
	sheet	1	2	3					

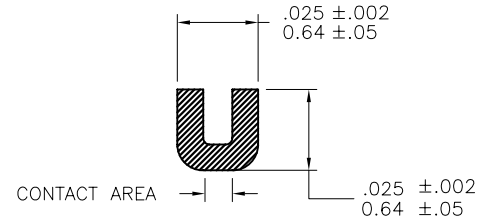
PRODUCT NO. AS REELED FOR APPLICATION MACHINES NOTE 5		WIRE AWG	WIRE BARREL			INSULATION BARREL			
RIGHT TO LEFT FEED	LEFT TO RIGHT FEED		A	B	C	D	E	F	
75653-001	75653-004	28-32	.054/1.37	.058/1.47	.011/0.28	.115/2.92	.105/2.67	.040/1.02	OBSOLETE
75653-001LF	75653-004LF	28-32	.054/1.37	.058/1.47	.011/0.28	.115/2.92	.105/2.67	.040/1.02	NOTE 7
75653-002	75653-005	22-26	.070/1.78	.065/1.65	.017/0.43	.139/3.53	.120/3.05	.050/1.27	OBSOLETE
75653-002LF	75653-005LF	22-26	.070/1.78	.065/1.65	.017/0.43	.139/3.53	.120/3.05	.050/1.27	NOTE 7
75653-003	75653-006	18-20	.104/2.64	.104/2.64	.021/0.53	.139/3.53	.120/3.05	.050/1.27	OBSOLETE
75653-003LF	75653-006LF	18-20	.104/2.64	.104/2.64	.021/0.53	.139/3.53	.120/3.05	.050/1.27	NOTE 7



SECTION A-A
SCALE 2:1



SECTION B-B
SCALE 2:1



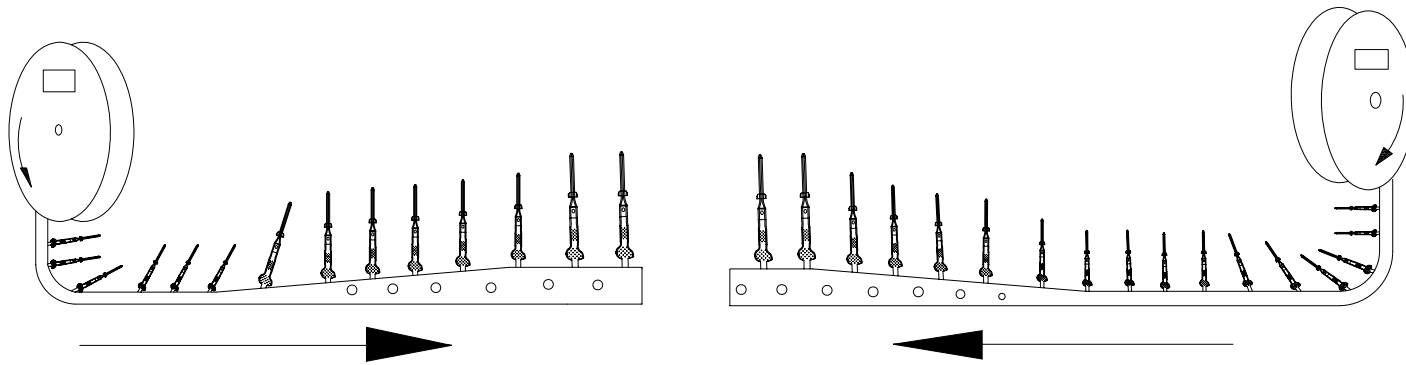
SECTION C-C
SCALE 5:1

NOTES:

- PLATING: 100μ"/2.54μ SnPb MINIMUM PRE-PLATED (OBSOLETE)
P/N WITH LF SUFFIX: 100μ"/2.54μ Sn MINIMUM PRE-PLATED
- FOR MANUFACTURING PURPOSES ONLY.
- PART MAY BE USED WITH MINI-LATCH HSG.
- APPLICABLE SPECIFICATIONS:
A. BUS-12-098: PRODUCT SPECIFICATION
B. TA-211: CRIMP SPECIFICATION
- PART NUMBERS WITH AN LF SUFFIX MEET EUROPEAN UNION DIRECTIVES AND OTHER COUNTRY REGULATIONS AS DESCRIBED IN GS-22-008.
- THIS PRODUCT IS NOT INTENDED TO BE EXPOSED TO MANUFACTURING SOLDER PROCESSES.
- THIS PRODUCT HAS 100% TIN PLATING IN THE INTERFACE AND HAS NOT BEEN TESTED FOR WHISKER GROWTH IN ALL INTERCONNECT ENVIRONMENTS.
- PACKAGE QUANTITY: 8000 PER REEL

mat'l. code 3/4 HD BRASS CDA NO. 260		surface ✓		tolerance tolerances unless otherwise specified		projection INCH/MM		product family PV TERMINAL	
ltr	ecn no	dr	date	angles	inches	mm	scale	title CTW MALE PIN	
K				0° ±2'	.XX ±.01/XX±3	.XXX ±.005/XX±13	4/1	dwg no 75653	
								sheet 2 of 3 size A4	
				dr	S ROYER	1994-11-30	FCI		
				enr	T.HANNA	1994-11-30			
				chr	T.HANNA	1994-11-30			
				appd	T.HANNA	1994-11-30			
sheet index	revision sheet							type CUSTOMER Drawing	

PRODUCT NUMBER
SEE SHEET 2



Unreeling Direction
Left to Right Into
Applicator

Unreeling Direction
Right to Left Into
Applicator

mat'l. code 3/4 HD BRASS CDA NO. 260		surface <input checked="" type="checkbox"/>	tolerance	projection	product family PV TERMINAL
ltr	ecm no	dr	date	tolerances unless otherwise specified	title CTW MALE PIN
k				angles $\frac{f}{t}$.XX ±01/X±3 .XXX ±005/XX±13	INCH/MM
				0° ±2° .XXX ±0020/XXX±051	scale 1:1
		dr	H. SUNDY	2004-02-17	dwg no
		engr	H. SUNDY	2004-02-17	75653
		chr	H. SUNDY	2004-02-17	sheet 3 of 3
		appd	H. SUNDY	2004-02-17	size A4
sheet index	revision sheet				type CUSTOMER Drawing

X-ON Electronics

Largest Supplier of Electrical and Electronic Components

Click to view similar products for [Headers & Wire Housings](#) category:

Click to view products by [Amphenol](#) manufacturer:

Other Similar products are found below :

[892-18-020-10-001101](#) [58102-G61-06LF](#) [582553-1](#) [0009485154](#) [009176003701906](#) [0050291907](#) [LY20-4P-DT1-P1E-BR](#) [02.125.8002.8](#)
[609-3404](#) [61062-3](#) [622-0430](#) [622-3653LF](#) [63453-116](#) [636-1030](#) [636-1427](#) [636-3427](#) [636-4007](#) [641938-9](#) [641991-4](#) [644827-2](#) [65817-010LF](#)
[65817-015LF](#) [65863-015LF](#) [66207-023LF](#) [67095-007LF](#) [67601157](#) [68648-049](#) [70.362.1628.0](#) [70-4210](#) [70-4226B](#) [70-4853B](#) [707-5020](#) [707-](#)
[5028](#) [71.350.2428.0](#) [71918-208LF](#) [71961-016LF](#) [733-134](#) [733-162](#) [754199-000](#) [760-3052](#) [787-8014-00](#) [79531-3000](#) [FCN-360C032-B](#) [FCN-](#)
[367T-T012/H](#) [FCN-723D010/2](#) [80.063.4001.1](#) [800-90-001-10-001000](#) [800-90-010-10-002000](#) [801-43-002-10-013000](#) [801-43-006-10-002000](#)