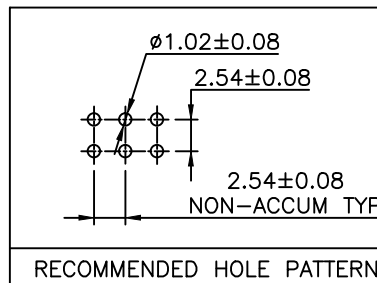
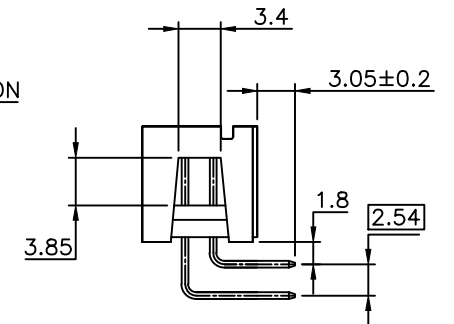
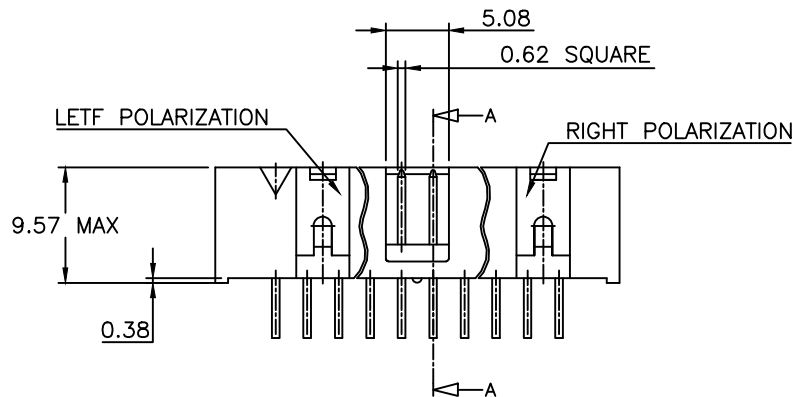
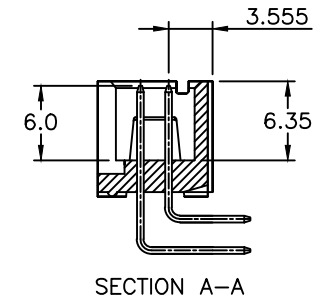
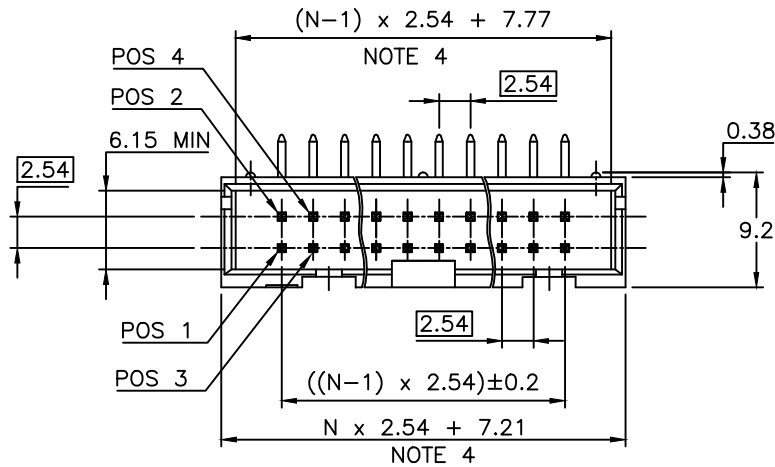


PRODUCT NUMBER
75867-YXXZLF

- RoHS COMPATIBLE, SEE NOTE 5
- COLOR OPTION, SEE NOTE 1
- PIN STYLE, SEE SHEET 2
- PLATING SEE SHEET 2

NOTES:

- 1 - HOUSING MAT'L : GLASS FILLED THERMOPLASTIC. UL94V-0 = STANDARD COLOR BLUE
B = OPTION COLOR BLACK
- 2 - PIN MATERIAL : PHOSPHOR BRONZE
- 3 - PACKAGING :
POLYBAGS FROM 2X02 TO 2X04 POSITIONS
TUBE FROM 2X05 TO 2X32 POSITIONS
- 4 - TO DETERMINE DIMENSIONS :
N = NUMBER OF POSITIONS PER ROW
EXAMPLE : 8 POS $N \times 2.54 = 20.32\text{mm}$
- 5 - RoHS COMPATIBLE PRODUCT SPECIFICATIONS
 - a - PLATING:
- "LF" MEANS THE PRODUCT IS LEAD-FREE, 2µm MINIMUM MATTE TIN OVER 1.27µm MINIMUM NICKEL UNDERPLATE.
 - b - MANUFACTURING PROCESS COMPATIBILITY
- THE HOUSING WILL WITHSTAND EXPOSURE TO 260°C ±5°C SOLDER BATH TEMPERATURE FOR 5 SECONDS IN A WAVE SOLDER APPLICATION WITH A 1.6mm MIN THICK CIRCUIT BOARD.
 - c - LABELLING:
- MEETS PACKAGING SPECS AS PER GS-14-920
 - d - LEGAL STATEMENT: SEE GS-47-0004



| | | | | | | | | | |
|--------------------------|----------|---------------------------------------|----|-------------------------------|--|------------------|--|-------------------------------------|--|
| mat'l. code SEE NOTES | | surface ISO 1302 ✓ | | tolerance ISO 406 ISO 1101 | | projection mm | | product family QUICKIE | |
| ltr ecn no dr date | | tolerances unless otherwise specified | | .X ±0.3 | | mm | | title SHR.LP.HEADER RA DR TMT | |
| AK F07-0198 LMU 07.05.30 | | angles | | .XX ±0.13 | | scale 2.5:1 | | dwg no 75867 | |
| AL F08-0146 YOV 08.04.11 | | linear | | .XXX ±0.05 | | FCJ | | sheet 1 of 2 size A3 | |
| AM F10-0258 LMU 10.12.15 | | dr | | D.LE | | 01.01.24 | | type CUSTOMER Drawing | |
| AN B-19072 LMU 14.10.15 | | engr | | JM.C | | 01.01.24 | | | |
| AP B-19093 LMU 14.10.16 | | chr | | JF.N | | 01.01.24 | | | |
| AR F-21731 AMA 15.08.20 | | appd | | JM.C | | 01.01.24 | | | |
| sheet index | revision | AR | AK | | | | | | |
| | sheet | 1 | 2 | | | | | | |

1

2,3

4

5

6

STANDARD APPLICATION

| PIN STYLE | Nbr OF POSITIONS | LEFT POLARIZATION | RIGHT POLARIZATION |
|-----------|------------------|-------------------|--------------------|
| 30 | 2 x 2 | NO | NO |
| 31 | 2 x 3 | NO | NO |
| 32 | 2 x 4 | NO | NO |
| 01 | 2 x 5 | NO | YES |
| 02 | 2 x 7 | NO | YES |
| 03 | 2 x 8 | YES | YES |
| 04 | 2 x 10 | YES | YES |
| 05 | 2 x 13 | YES | YES |
| 33 | 2 x 15 | YES | YES |
| 06 | 2 x 17 | YES | YES |
| 07 | 2 x 20 | YES | YES |
| 08 | 2 x 25 | YES | YES |
| 09 | 2 x 30 | YES | YES |
| 10 | 2 x 32 | YES | YES |

PLATING :

1 = 0.76µm GOLD/GXT
(PdNi WITH GOLD FLASH) ON CONTACT AREA
2µm MIN MATTE TIN ON TAIL

2 = 2µm TIN MIN FULL PLATED

3 = 0.38µm GOLD/GXT
(PdNi WITH GOLD FLASH) ON CONTACT AREA
2µm MIN MATTE TIN ON TAIL

UNDERPLATE : 1.27µm Ni MIN

APPLICATION SPECIFIC

| PIN STYLE | Nbr OF POSITIONS | LEFT POLARIZATION | RIGHT POLARIZATION | OMIT PIN |
|-----------|------------------|-------------------|--------------------|----------|
| 13 | 2 x 17 | YES | YES | 5 |
| 14 | 2 x 20 | YES | YES | 19 |
| 34 | 2 x 5 | NO | YES | 5 |
| 35 | 2 x 10 | YES | YES | 19 |
| 36 | 2 x 20 | YES | YES | 10 |
| 37 | 2 x 20 | YES | YES | 11 |
| 38 | 2 x 20 | YES | YES | 20 |
| 39 | 2 x 5 | NO | YES | 10 |

PLATING :

1 = 0.76µm GOLD/GXT
(PdNi WITH GOLD FLASH) ON CONTACT AREA
2µm MIN MATTE TIN ON TAIL

2 = 2µm TIN MIN FULL PLATED

3 = 0.38µm GOLD/GXT
(PdNi WITH GOLD FLASH) ON CONTACT AREA
2µm MIN MATTE TIN ON TAIL

UNDERPLATE : 1.27µm Ni MIN



FCIconnect.com

Copyright FCI

| | | | | | | | | | |
|-------------|----------|------------|----------|---------------------------------------|--------|------------|--|-----------------------|--|
| mat'l. code | | surface | | tolerance | | projection | | product family | |
| | | ISO 1302 ✓ | | ISO 406 ISO 1001 | | | | QUICKIE | |
| ltr | ecr no | dr | date | tolerances unless otherwise specified | | mm | | title | |
| AJ | B-19093 | LMU | 14.10.16 | angles | linear | ← mm → | | SHR.LP.HEADER | |
| AK | F-21731 | AMA | 15.08.20 | | | scale N/A | | RA DR TMT | |
| AE | F04-0389 | JCO | 04.09.21 | dr | D.LE | 01.01.24 | | dwg no | |
| AF | F06-0229 | AH | 06.07.18 | engr | JM.C | 01.01.24 | | sheet 2 of - size | |
| AG | F07-0198 | LMU | 07.05.30 | chr | JF.N | 01.01.24 | | 75867 A3 | |
| AH | F08-0148 | YOV | 08.04.11 | appd | JM.C | 01.01.24 | | type CUSTOMER Drawing | |
| sheet | revision | | | | | | | | |
| index | sheet | | | | | | | | |

X-ON Electronics

Largest Supplier of Electrical and Electronic Components

Click to view similar products for [Headers & Wire Housings](#) category:

Click to view products by [Amphenol](#) manufacturer:

Other Similar products are found below :

[892-18-020-10-001101](#) [58102-G61-06LF](#) [582553-1](#) [0009485154](#) [009176003701906](#) [0050291907](#) [LY20-4P-DT1-P1E-BR](#) [02.125.8002.8](#)
[609-3404](#) [61062-3](#) [622-0430](#) [622-3653LF](#) [63453-116](#) [636-1030](#) [636-1427](#) [636-3427](#) [636-4007](#) [641938-9](#) [641991-4](#) [644827-2](#) [65817-010LF](#)
[65817-015LF](#) [65863-015LF](#) [66207-023LF](#) [67095-007LF](#) [67601157](#) [68648-049](#) [70.362.1628.0](#) [70-4210](#) [70-4226B](#) [70-4853B](#) [707-5020](#) [707-](#)
[5028](#) [71.350.2428.0](#) [71918-208LF](#) [71961-016LF](#) [733-134](#) [733-162](#) [754199-000](#) [760-3052](#) [787-8014-00](#) [79531-3000](#) [FCN-360C032-B](#) [FCN-](#)
[367T-T012/H](#) [FCN-723D010/2](#) [80.063.4001.1](#) [800-90-001-10-001000](#) [800-90-010-10-002000](#) [801-43-002-10-013000](#) [801-43-006-10-002000](#)