

**PRODUCT NUMBER**  
75880-YXXLF

WHEN REQUIRED, ADD SUFFIX LETTER "LF"  
INDICATES THE PRODUCT IS RoHS COMPLIANT  
& COMPATIBLE, SEE NOTE 7

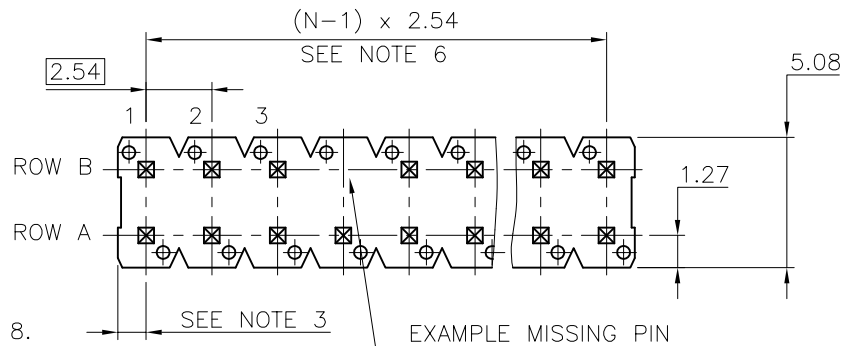
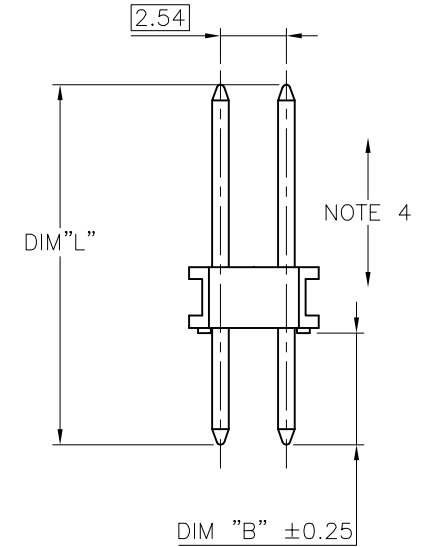
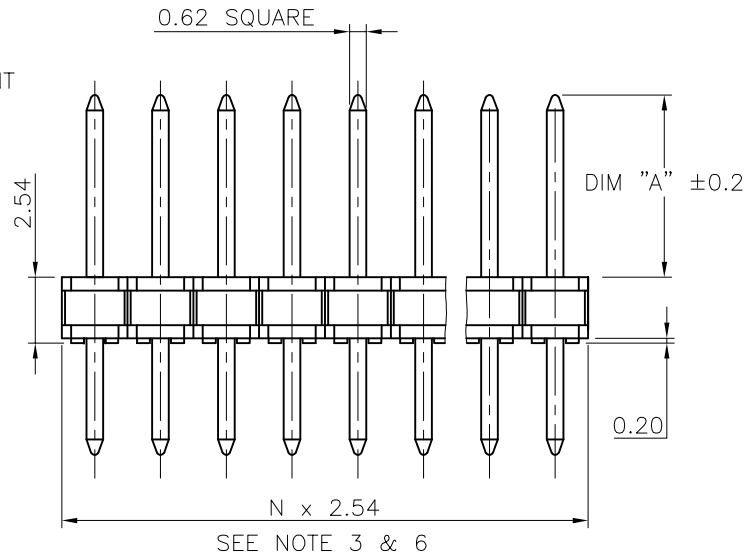
PIN STYLE SEE SHEET 2

**PLATING:**

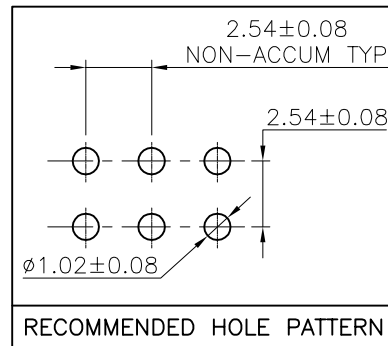
- 1 = 0.76µm FULL GOLD/GXT, OVER 1.27µm Ni MIN
- 3 = 3.81µm FULL TIN/LEAD OVER 1.27µm Ni MIN.  
WHEN "LF" IS REQUIRED, 2µm MATTE TIN OVER  
1.27µm MIN NICKEL IS PROVIDED INSTEAD OF TIN-LEAD
- 8 = 0.38µm FULL GOLD/GXT, OVER 1.27µm Ni MIN

**NOTES:**

1. HOUSING MAT'L : HIGH TEMPERATURE THERMOPLASTIC  
FLAME RETARDANT PER UL94-VO, COLOR BLACK.
2. PIN MATERIAL : PHOSPHOR BRONZE.
3. DIM  $1.27^{+0.03}_{-0.13}$  FOR MOULDED SIDE(S)  
ONLY. IF SIDE(S) ARE BROKEN, DIM 1.02  
TO 1.7 MAX APPLIES.
4. PIN PUSH OUT FORCE : 12N MIN.
5. PRODUCT PACKAGED IN POLY BAGS.
6. TO DETERMINE DIMENSIONS :  
N = NUMBER OF POSITIONS  
EXAMPLE : 8 POS N x 2.54 = 20.32mm
7. RoHS COMPATIBLE PRODUCT SPECIFICATIONS
  - a - SUFFIX "LF" IS ADDED JUST FOR EASY  
LEADFREE IDENTIFICATION FOR PLATING VERSION 1 & 8.
  - b - MANUFACTURING PROCESS COMPATIBILITY
    - THE HOUSING WILL WITHSTAND EXPOSURE TO  
260°C ±5°C SOLDER BATH TEMPERATURE FOR  
5 SECONDS IN A WAVE SOLDER APPLICATION  
WITH A 1.6mm MIN THICK CIRCUIT BOARD.
  - c - LABELING:
    - MEETS PACKAGING SPECS AS PER GS-14-920
  - d - LEGAL STATEMENT: SEE GS-22-008



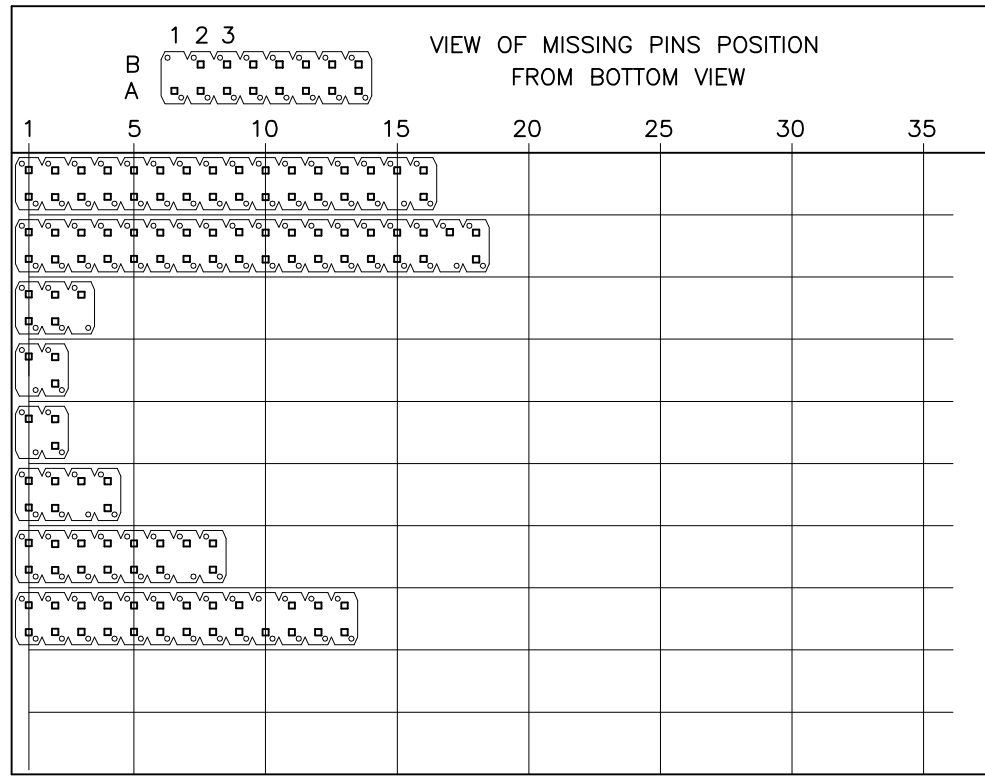
**BOTTOM VIEW**



**RECOMMENDED HOLE PATTERN**

mat'l. code SEE P/N		surface ISO 1302		tolerance ISO 406 ISO 1101		projection mm		product family BSTIK	
ltr	ecn no	dr	date	tolerances unless otherwise specified		mm		title	
AE	F20166	LMU	02.02.28	angles	.x ±0.3	mm		HEADER,STR,DR	
AF	F03-020	LMU	03.04.18	linear	.xx ±0.15	scale 5:1		POLARIZED 2.54mm	
AG	F05-0186	LMU	05.05.24		xxx ±0.05			dwg no	
AH	F06-0196	LMU	06.06.20	dr	D LEGRAND	99.01.05	sheet 1 of 3		size
AJ	F08-0148	JCO	08.05.27	enfr	JMC	99.01.05	75880		A3
AK	F10-0002	JCO	10.01.20	chr			FCJ		
				appd	JMC	99.01.05	type		CUSTOMER Drawing
sheet index	revision sheet	AK	AA	AB					
		1	2	3					

PIN STYLE	PRODUCT DEFINITION			
	POS	"A" ±0.15	("B") REF	("L") REF
07	2X16	5.72	2.54	10.8
09	2X18	5.72	2.54	10.8
13	2X03	5.72	3.05	11.3
21	2X02	5.72	2.54	10.8
26	2X02	5.84	2.54	10.92
27	2X04	5.84	2.54	10.92
28	2X08	5.84	2.54	10.92
30	2X13	5.72	3.05	11.3
36	SEE SHEET 5			
37				



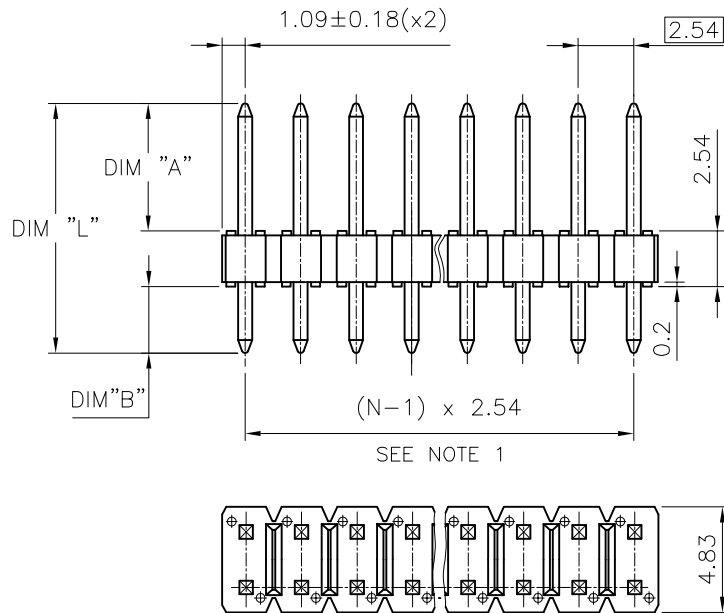
mat'l. code		surface ISO 1302		tolerance ISO 406 ISO 1101		projection 		product family BSTIK	
ltr	ecn no	dr	date	tolerances unless otherwise specified		mm 		title HEADER,STR,DR POLARIZED 2.54mm	
X	F90100	DLE	99.01.05	angles	linear	scale 1:1		dwg no 75880	
Y	F05-0186	LMU	05.05.25					sheet 2 of - size A3	
AA	F06-0196	LMU	06.06.20					type CUSTOMER Drawing	
				dr	D LEGRAND	99.01.05			
				enfr	COMPAGNON J	98.01.05			
				chr					
				appd	JMC	99.01.05			
sheet index	revision sheet								



FCIconnect.com

Copyright FCI

PIN STYLE	PRODUCT DEFINITION			VIEW OF MISSING PINS POSITION FROM BOTTOM VIEW							
	POS	"A" ±0.15	("B") REF	("L") REF	1	5	10	15	20	25	30
36	2X04	5.72	3.03	11.3							
37	2X06	5.72	3.03	11.3							



NOTE :  
 1- TO DETERMINE DIMENSIONS :  
 N = NUMBER OF POSITIONS  
 EXAMPLE : 8 POS N x 2.54 = 20.32mm

BODY DESIGN AND DIMENSIONS ONLY FOR FOLLOWING P/NUMBER :  
 75880-336(LF) ;75880-337(LF)

MATERIAL BODY :  
 HIGH TEMPERATURE THERMOPLASTIC

mat'l. code		surface		tolerance		projection		product family	
		ISO 1302		ISO 406 ISO 1101				BSTIK	
ltr	ecn no	dr	date	tolerances unless otherwise specified		mm		title	
X	F90100	DLE	99.01.05	angles	linear	.x ±0.3		<b>HEADER,STR,DR</b> <b>POLARIZED 2.54mm</b>	
Y	F05-0186	LMU	05.05.25			.xx ±0.15			
AA	F06-0196	LMU	06.06.20			.xxx ±0.05			
AB	F10-0002	JCO	10.01.20	dr	D LEGRAND	99.01.05		dwg no	
				enfr	COMPAGNON J	98.01.05		sheet 3 of - size	
				chr				75880	
				appd	JMC	99.01.05		A3	
sheet index	revision sheet							type customer Drawing	

## X-ON Electronics

Largest Supplier of Electrical and Electronic Components

*Click to view similar products for [Headers & Wire Housings](#) category:*

*Click to view products by [Amphenol](#) manufacturer:*

Other Similar products are found below :

[892-18-020-10-001101](#) [58102-G61-06LF](#) [582553-1](#) [0009485154](#) [009176003701906](#) [0050291907](#) [LY20-4P-DT1-P1E-BR](#) [02.125.8002.8](#)  
[609-3404](#) [61062-3](#) [622-0430](#) [622-3653LF](#) [63453-116](#) [636-1030](#) [636-1427](#) [636-3427](#) [636-4007](#) [641938-9](#) [641991-4](#) [644827-2](#) [65817-010LF](#)  
[65817-015LF](#) [65863-015LF](#) [66207-023LF](#) [67095-007LF](#) [67601157](#) [68648-049](#) [70.362.1628.0](#) [70-4210](#) [70-4226B](#) [70-4853B](#) [707-5020](#) [707-](#)  
[5028](#) [71.350.2428.0](#) [71918-208LF](#) [71961-016LF](#) [733-134](#) [733-162](#) [754199-000](#) [760-3052](#) [787-8014-00](#) [79531-3000](#) [FCN-360C032-B](#) [FCN-](#)  
[367T-T012/H](#) [FCN-723D010/2](#) [80.063.4001.1](#) [800-90-001-10-001000](#) [800-90-010-10-002000](#) [801-43-002-10-013000](#) [801-43-006-10-002000](#)