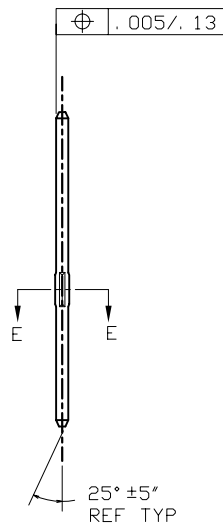
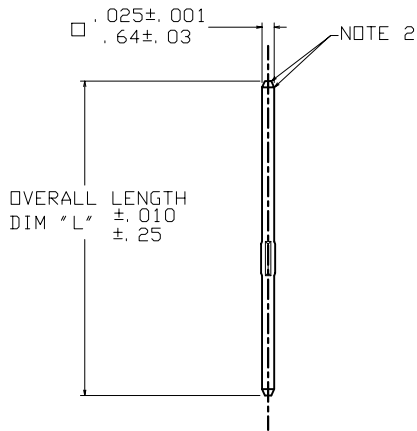
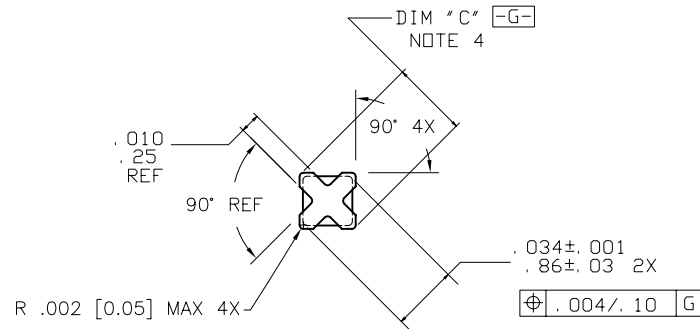
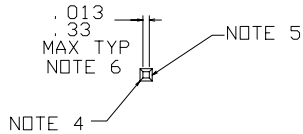
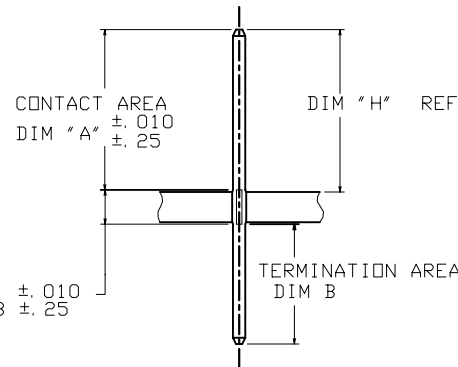


PRODUCT NUMBER
SEE TABLE



SECTION E-E
SCALE 12/1
WITHOUT FERRULE



SECTION THRU PC BOARD

mat'l. code		surface		tolerance		projection		product family		
SEE NOTE 1		ASME Y14.5		ASME Y14.5		INCH/MM		PIN PRODUCTS		
ltr	ec'n no	dr	date	tolerances unless otherwise specified		INCH/MM		title		
Y	V07-0009	HTB	2007-01-05	angles	XX±01/XX±3	INCH/MM		BERGPIN® LOOSE PIECE		
AA	V08-0353	HTB	2008-08-18	0° ±2'	XXX±005/XXX±13	scale 3:1		.039"[0.99] DIA. STAR		
U	V71498	HTB	1997-10-28	dr	XXXX±0020/XXX±051	scale 3:1		dwg no		
V	V01594	JRW	2000-07-12	enfr		FCI		sheet 1 of 5		
W	V05-0399	HTB	2005-04-28	chr				76151		
X	V06-0684	HTB	2006-07-24	appd				size		
sheet	revision	AA	AA	AA	AA			A4		
index	sheet	1	2	3	4	5			type	
									CUSTOMER Drawing	

PRODUCT NUMBER NOTE 9	PLATING	UNDERPLATING
76151-YYY	30μ" [0.76μ] MIN Au	50μ" [1.27μ] MIN Ni
76151-YYLFF		
76153-YYY	50μ" [1.27μ] MIN Au	50μ" [1.27μ] MIN Ni
76153-YYLFF		
76154-YYY	120μ" [3.05μ] MIN 93/7 SnPb	50μ" [1.27μ] MIN Ni
76154-YYLFF	100μ" [2.54μ] MIN Sn (NOTE 10)	50μ" [1.27μ] MIN Ni
76155-YYY	30μ" [0.76μ] MIN GXT™	50μ" [1.27μ] MIN Ni
76155-YYLFF		
76156-YYY	15μ" [0.38μ] MIN GXT™	50μ" [1.27μ] MIN Ni
76156-YYLFF		
76159-YYY	15μ" [0.38μ] MIN Au	50μ" [1.27μ] MIN Ni
76159-YYLFF		

DISCONTINUED

NOTES:

- ①. MATERIAL: 3/4 HARD PHOS BRONZE
ASTM B-159-66
- ②. BURNISH MARKS ON PIN PERMITTED
BURR .003 [0.08] MAX BULGE
.0005 [0.013] MAX TYP.
3. SEE PRODUCT SPECIFICATION BUS-12-064
FOR P.C. BOARD HOLE DIAMETER AND P.C.
BOARD HOLE PLATING INFORMATION.
- ④. .002 [0.05] R MAX TYP 4X ON WIRE
PORTION OF PIN.
- ⑤. TWO SIDES OF LEAD-IN NOT PLATED
TYP BOTH ENDS.
- ⑥. .016 [0.41] MAX OPPOSITE END IF DIM
B IS LESS THAN .230 [5.84].
- ⑦. TOLERANCE: +.001 [0.03], -.002 [0.05]
- ⑧. TOLERANCE: ±.001 [0.03]
- ⑨. ADD AN LF SUFFIX TO PART NUMBERS FOR PRODUCT
THAT MEETS EUROPEAN UNION DIRECTIVES AND OTHER
COUNTRY REGULATIONS AS DESCRIBED IN GS-22-008.
- ⑩. THIS PRODUCT HAS 100% TIN PLATING IN THE
INTERFACE AND HAS NOT BEEN TESTED FOR WHISKER
GROWTH IN ALL INTERCONNECT ENVIRONMENTS.

A

A

B

B

mat'l. code SEE NOTE 1		surface ASME Y14.5	tolerance ASME Y14.5	projection 	product family PIN PRODUCTS
ltr	ecn no	dr	date	tolerances unless otherwise specified	title
AA				angles XX+01/XX+3 XXX+005/XXX+13	BERGPIN® LOOSE PIECE .039"[0.99] DIA. STAR
				0° ±2' XXXX+0020/XXX+051	
		dr	M. FETROW	1994-05-16	dwg no
		enr	L. FYE	1994-05-16	76151
		chr	L. FYE	1994-05-16	sheet 2 of 5
		appd	L. FYE	1994-05-16	size A4
sheet	revision				type CUSTOMER Drawing
index	sheet				



PRODUCT NO. NOTE 9	CONTACT AREA DIM "A"	TERMINATION AREA DIM "B"	DIM "C"	DIM "H" FOR .062 BOARD 1.57	DIM "H" FOR .093 BOARD 2.36	DIM "H" FOR .125 BOARD 3.17	OVERALL LENGTH DIM "L"	CUSTOMER RESTRICTED
7615X-001	.230/5.84	.045/1.14	.039/0.99 NOTE 7	.235/5.97	.220/5.59	.205/5.21	.345/8.76	NO
7615X-002	.265/6.73	.045/1.14	.039/0.99 NOTE 7	.270/6.86	.255/6.48	.240/6.10	.380/9.65	NO
7615X-003	.345/8.76	.045/1.14	.039/0.99 NOTE 7	.350/8.89	.335/8.51	.320/8.13	.460/11.68	NO
7615X-004	.400/10.16	.045/1.14	.039/0.99 NOTE 7	.405/10.29	.390/9.91	.375/9.53	.515/13.08	NO
7615X-005	.415/10.54	.045/1.14	.039/0.99 NOTE 7	.420/10.67	.405/10.29	.390/9.91	.530/13.46	NO
7615X-006	.435/11.05	.045/1.14	.039/0.99 NOTE 7	.440/11.18	.425/10.80	.410/10.41	.550/13.97	NO
7615X-007	.465/11.81	.045/1.14	.039/0.99 NOTE 7	.470/11.94	.455/11.56	.440/11.18	.580/14.73	NO
7615X-008	.515/13.08	.045/1.14	.039/0.99 NOTE 7	.520/13.21	.505/12.83	.490/12.45	.630/16.00	NO
7615X-009	.575/14.61	.040/1.02	.039/0.99 NOTE 7	.575/14.61	.560/14.22	.545/13.84	.685/17.40	NO
7615X-010	.585/14.86	.045/1.14	.039/0.99 NOTE 7	.590/14.99	.575/14.61	.560/14.22	.700/17.78	NO
7615X-011	.635/16.13	.045/1.14	.039/0.99 NOTE 7	.640/16.26	.625/15.88	.610/15.49	.750/19.05	NO
7615X-012	.655/16.64	.045/1.14	.039/0.99 NOTE 7	.660/16.76	.645/16.38	.630/16.00	.770/19.56	NO
7615X-013	.745/18.92	.045/1.14	.039/0.99 NOTE 7	.750/19.05	.735/18.67	.720/18.29	.860/21.84	NO
7615X-014	.265/6.73	.245/6.22	.039/0.99 NOTE 7	.270/6.86	.255/6.48	.240/6.10	.580/14.73	NO
7615X-015	.345/8.76	.245/6.22	.039/0.99 NOTE 7	.350/8.89	.335/8.51	.320/8.13	.660/16.76	NO
7615X-016	.400/10.16	.245/6.22	.039/0.99 NOTE 7	.405/10.29	.390/9.91	.375/9.53	.715/18.16	NO
7615X-017	.465/11.81	.245/6.22	.039/0.99 NOTE 7	.470/11.94	.455/11.56	.440/11.18	.780/19.81	NO
7615X-018	.570/14.48	.245/6.22	.039/0.99 NOTE 7	.575/14.61	.560/14.22	.545/13.84	.885/22.48	NO
7615X-019	.625/15.88	.245/6.22	.039/0.99 NOTE 7	.630/16.00	.615/15.62	.600/15.24	.940/23.88	NO
7615X-020	.655/16.64	.245/6.22	.039/0.99 NOTE 7	.660/16.76	.645/16.38	.630/16.00	.970/24.64	NO
7615X-021	.265/6.73	.355/9.02	.039/0.99 NOTE 7	.270/6.86	.255/6.48	.240/6.10	.690/17.53	NO
7615X-022	.345/8.76	.355/9.02	.039/0.99 NOTE 7	.350/8.89	.335/8.51	.320/8.13	.770/19.56	NO
7615X-023	.400/10.16	.355/9.02	.039/0.99 NOTE 7	.405/10.29	.390/9.91	.375/9.53	.825/20.96	NO
7615X-024	.465/11.81	.355/9.02	.039/0.99 NOTE 7	.470/11.94	.455/11.56	.440/11.18	.890/22.61	NO
7615X-025	.570/14.48	.355/9.02	.039/0.99 NOTE 7	.575/14.61	.560/14.22	.545/13.84	.995/25.27	NO
7615X-026	.625/15.88	.355/9.02	.039/0.99 NOTE 7	.630/16.00	.615/15.62	.600/15.24	1.050/26.67	NO
7615X-027	.655/16.64	.355/9.02	.039/0.99 NOTE 7	.660/16.76	.645/16.38	.630/16.00	1.080/27.43	NO

A

A

B

B

mat'l. code		SEE NOTE 1		surface		tolerance		projection		product family	
				ASME Y14.5		ASME Y14.5				PIN PRODUCTS	
ltr	ecr no	dr	date	tolerances unless otherwise specified							
AA				angles	XX+01/XX+3		INCH/MM		title		
				0° ±2'	XXX+005/XXX+13		scale 1:1		BERGPIN® LOOSE PIECE		
					XXXX+0020/XXX+051				.039"[0.99] DIA. STAR		
				dr	M. FETROW	1994-05-16			dwg no		
				enr	L. FYE	1994-05-16			sheet 3 of 5 size		
				chr	L. FYE	1994-05-16			76151 A4		
				appd	L. FYE	1994-05-16			type CUSTOMER Drawing		
sheet index	revision sheet										



PRODUCT NO. NOTE 9	CONTACT AREA DIM "A"	TERMINATION AREA DIM "B"	DIM "C"	DIM "H" FOR .062 1.57 BOARD	DIM "H" FOR .093 2.36 BOARD	DIM "H" FOR .125 3.17 BOARD	OVERALL LENGTH DIM "L"	CUSTOMER RESTRICTED
7615X-028	.305/7.75	.035/0.89	.039/0.99 NOTE 7	.310/7.87	.295/7.49	.280/7.11	.410/10.41	NO
7615X-029	.755/19.18	.345/8.76	.039/0.99 NOTE 7	.760/19.30	.745/18.92	.730/18.54	1.170/29.72	NO
7615X-030	.710/18.03	.345/8.76	.039/0.99 NOTE 7	.715/18.16	.700/17.78	.685/17.40	1.125/28.58	NO
7615X-031	.545/13.84	.198/5.03	.039/0.99 NOTE 7	.550/13.97	.535/13.59	.520/13.21	.813/20.65	NO
7615X-032								
7615X-033	.335/8.51	.375/9.53	.039/0.99 NOTE 7	.340/8.64	.325/8.26	.310/7.87	.780/19.81	NO
7615X-034	.535/13.59	.045/1.14	.039/0.99 NOTE 7	.540/13.72	.525/13.34	.510/12.95	.650/16.51	NO
7615X-035	.560/14.22	.260/6.60	.039/0.99 NOTE 7	.565/14.35	.550/13.97	.535/13.59	.890/22.61	NO
7615X-036	.510/12.95	.381/9.68	.039/0.99 NOTE 7	.515/13.08	.500/12.70	.485/12.32	.961/24.41	NO
7615X-037	.325/8.26	.101/2.57	.039/0.99 NOTE 7	.330/8.38	.315/8.00	.300/7.62	.496/12.60	NO
7615X-038	.595/15.11	.330/8.38	.039/0.99 NOTE 7	.600/15.24	.585/14.86	.570/14.48	.995/25.27	NO
7615X-039	.755/19.18	.065/1.65	.039/0.99 NOTE 7	.760/19.30	.745/18.92	.730/18.54	.890/22.61	NO
7615X-040	.315/8.00	.395/10.03	.039/0.99 NOTE 7	.320/8.13	.305/7.75	.290/7.37	.780/19.81	NO
7615X-041	.230/5.84	.080/2.03	.039/0.99 NOTE 7	.235/5.97	.220/5.59	.205/5.21	.380/9.65	NO
7615X-042	.870/22.10	.045/1.14	.039/0.99 NOTE 7	.875/22.23	.860/21.84	.845/21.46	.985/25.02	NO
7615X-043	.504/12.80	.329/8.36	.039/0.99 NOTE 7	.509/12.80	.494/12.55	.479/12.17	.900/22.86	NO
7615X-044	.324/8.23	.056/1.42	.039/0.99 NOTE 7	.329/8.36	.314/7.98	.299/7.60	.450/11.43	NO
7615X-045	.499/12.68	.056/1.42	.039/0.99 NOTE 7	.504/12.80	.489/12.42	.474/12.04	.625/15.88	NO
7615X-046	.430/10.92	.535/13.59	.039/0.99 NOTE 7	.435/11.05	.420/10.67	.405/10.29	1.035/26.29	NO
7615X-047	.375/9.53	.070/1.78	.039/0.99 NOTE 7	.380/9.65	.365/9.27	.350/8.89	.515/13.08	NO
7615X-048	.375/9.53	.275/6.99	.039/0.99 NOTE 7	.380/9.65	.365/9.27	.350/8.89	.720/18.29	NO
7615X-049	.545/13.84	.070/1.78	.039/0.99 NOTE 7	.550/13.97	.535/13.59	.520/13.21	.685/17.40	NO
7615X-050	.313/7.95	.317/8.05	.039/0.99 NOTE 7	.318/8.08	.303/7.70	.288/7.32	.700/17.78	NO
7615X-051	.320/8.13	.045/1.14	.039/0.99 NOTE 7	.325/8.26	.310/7.87	.295/7.49	.435/11.05	NO
7615X-052	.620/15.75	.590/14.99	.039/0.99 NOTE 7	.625/15.88	.610/15.49	.595/15.11	1.280/35.51	NO
7615X-053	.245/6.22	.045/1.14	.039/0.99 NOTE 7	.250/6.35	.235/5.97	.220/5.59	.360/9.14	NO
7615X-054	.623/15.82	.270/6.86	.039/0.99 NOTE 7	.628/15.95	.613/15.57	.598/15.19	.963/24.46	NO

OBSOLETE

A

A

B

B

mat'l. code SEE NOTE 1		surface ASME Y14.5 <input checked="" type="checkbox"/>	tolerance ASME Y14.5	projection 	product family PIN PRODUCTS
ltr	ecr no	dr	date	tolerances unless otherwise specified	title BERGPIN® LOOSE PIECE .039"[0.99] DIA. STAR
AA				angles XX+01/XX+3 XXX+005/XXX+13	INCH/MM
				0° ±2'	scale 1:1
		dr	M. FETROW	1994-05-16	dwg no
		enr	L. FYE	1994-05-16	sheet 4 of 5
		chr	L. FYE	1994-05-16	size 76151
		appd	L. FYE	1994-05-16	A4
sheet index	revision sheet				type CUSTOMER Drawing



PRODUCT NO. NOTE 9	CONTACT AREA DIM "A"	TERMINATION AREA DIM "B"	DIM "C"	DIM "H" FOR .062 1.57 BOARD	DIM "H" FOR .093 2.36 BOARD	DIM "H" FOR .125 3.17 BOARD	OVERALL LENGTH DIM "L"	CUSTOMER RESTRICTED
7615X-055	.684/17.37	.051/1.30	.039/0.99 NOTE 7	.689/17.50	.674/17.12	.659/16.74	.800/20.32	NO
7615X-056	.295/7.49	.192/4.88	.039/0.99 NOTE 7	.300/7.62	.285/7.24	.270/6.86	.552/14.02	NO
7615X-057	.785/19.94	.050/1.27	.039/0.99 NOTE 7	.790/20.07	.775/19.69	.760/19.30	.900/22.86	NO
7615X-058	.747/18.97	.524/13.31	.039/0.99 NOTE 7	.752/19.10	.737/18.72	.722/18.34	1.335/33.91	NO
7615X-059	.230/5.84	.135/3.43	.039/0.99 NOTE 7	.235/5.97	.220/5.59	.205/5.20	.430/10.92	NO
7615X-060	.400/10.16	.440/11.18	.039/0.99 NOTE 7	.405/10.29	.390/9.91	.375/9.53	.910/23.11	NO
7615X-061	.280/7.11	.192/4.88	.039/0.99 NOTE 7	.285/7.24	.270/6.86	.255/6.48	.542/13.77	NO
7615X-062	.280/7.11	.085/2.16	.039/0.99 NOTE 7	.285/7.24	.270/6.86	.255/6.48	.435/11.05	NO
7615X-063	.100/2.54	.050/1.27	.039/0.99 NOTE 7	.105/2.67	.090/2.29	.075/1.91	.220/5.59	NO
7615X-064	.380/9.65	.650/16.51	.039/0.99 NOTE 7	.385/9.78	.370/9.40	.355/9.02	1.100/27.94	NO
7615X-065	.610/15.49	.030/0.76	.038/0.97 NOTE 8	.615/15.62	.600/15.24	.585/14.86	.710/18.03	YES
7615X-066	.822/20.88	.045/1.14	.039/0.99 NOTE 7	.827/21.01	.812/20.63	.797/20.24	.937/23.80	NO
7615X-067	.945/24.00	.045/1.14	.039/0.99 NOTE 7	.945/24.00	.935/23.75	.920/23.37	1.055/26.80	NO
7615X-068	.194/4.93	.042/1.07	.039/0.99 NOTE 7	.196/4.98	.181/4.60	.165/4.19	.306/7.77	NO
7615X-069	.220/5.59	.220/5.59	.039/0.99 NOTE 7	.225/5.72	.210/5.33	.195/4.95	.510/12.95	NO

mat'l. code		surface		tolerance		projection		product family	
SEE NOTE 1		ASME Y14.5		ASME Y14.5				PIN PRODUCTS	
ltr	ecn no	dr	date	tolerances unless otherwise specified		INCH/MM		title	
AA				angles	XX+01/XX+3			BERGPIN® LOOSE PIECE	
				0° ±2'	XXX+005/XXX+13	scale 1:1		.039"[0.99] DIA. STAR	
				dr	M. FETROW	1994-05-16		dwg no	
				engr	L. FYE	1994-05-16		sheet 5 of 5	
				chr	L. FYE	1994-05-16		size	
				appd	L. FYE	1994-05-19		A4	
sheet index		revision sheet						type	
								CUSTOMER Drawing	

X-ON Electronics

Largest Supplier of Electrical and Electronic Components

Click to view similar products for [Terminals](#) category:

Click to view products by [Amphenol](#) manufacturer:

Other Similar products are found below :

[00-054007-01074-6](#) [00-054007-70206-1](#) [00-054007-70210-8](#) [00-054007-70217-7](#) [00-054007-70226-9](#) [00-054007-70228-3](#) [00-054007-70248-1](#) [00-054007-70256-6](#) [00-054007-70301-3](#) [00-054007-70316-7](#) [00-054007-49560-4](#) [00-054007-70209-2](#) [00-054007-70225-2](#) [00-054007-70227-6](#) [00-054007-70231-3](#) [00-054007-70241-2](#) [00-054007-70242-9](#) [00-054007-70244-3](#) [00-054007-70246-7](#) [00-054007-70263-4](#) [00-054007-70288-7](#) [00-054007-70290-0](#) [00-054007-70300-6](#) [00-054007-70304-4](#) [01-2065-1-0216](#) [01-2900-1-04412](#) [00581P0075](#) [600TS-10](#) [60205-1](#) [604200-1](#) [605601-1](#) [60598-1-CUT-TAPE](#) [61314-6-C](#) [61810-3](#) [61-S](#) [62149-1](#) [626-0194](#) [62-NBM-A](#) [62-SN](#) [62-SP](#) [640179-1](#) [M55155/059I03](#) [M55155/079C01](#) [M55155/099H02](#) [M55155/109H01](#) [M55155/109H02](#) [M55155/12XH05](#) [M55155/16XH02](#) [M55155/29-5S](#) [M55155/29XJ08](#)