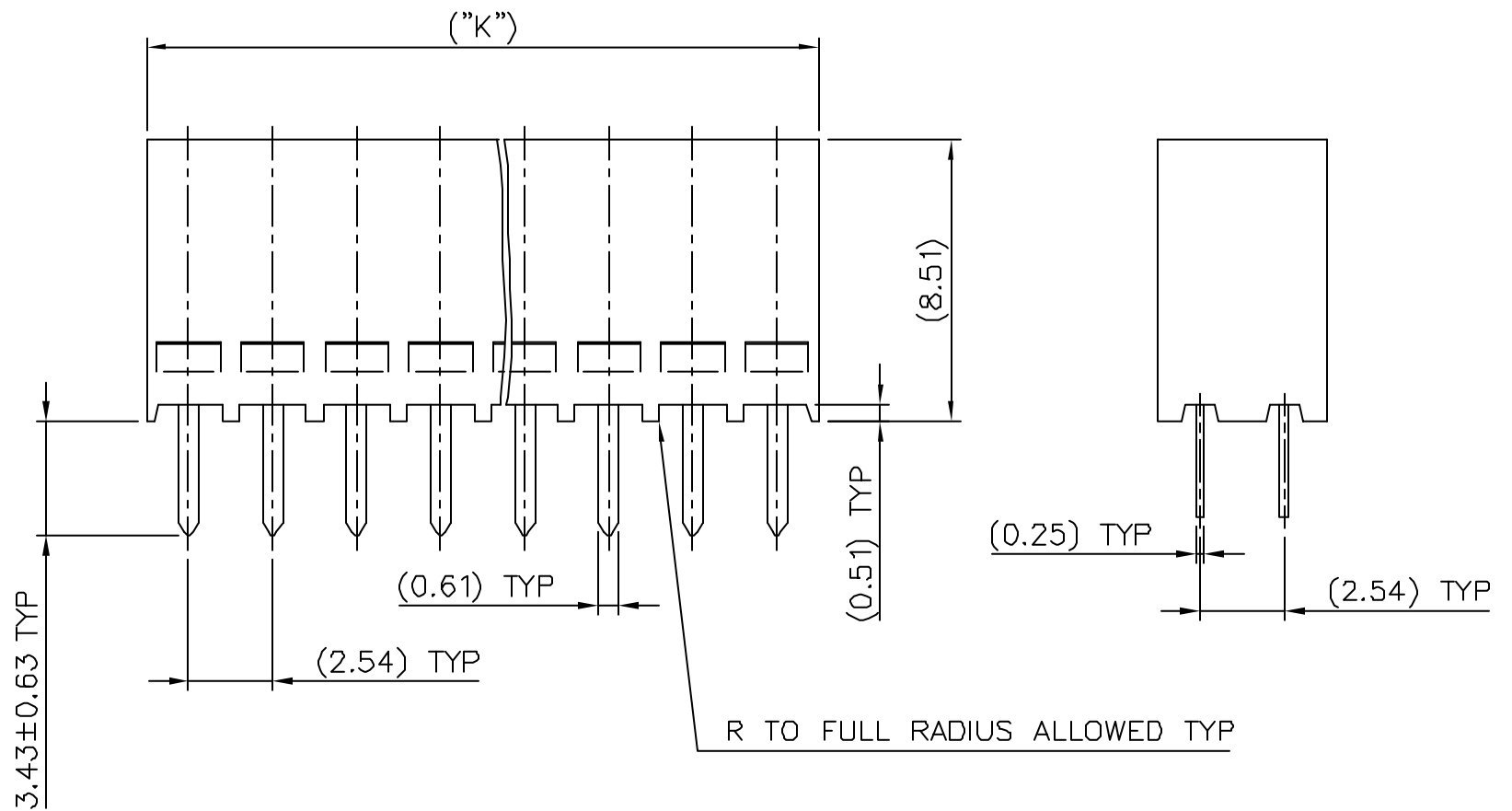
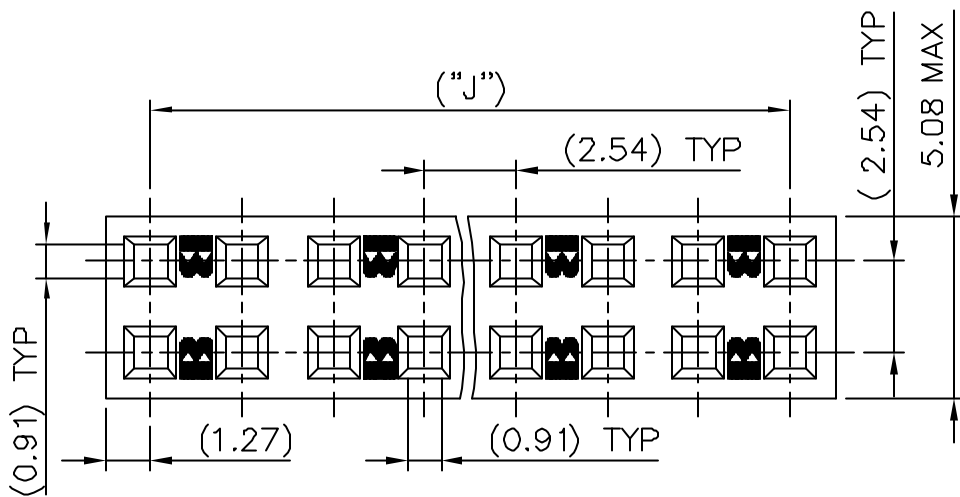


PRODUCT NUMBER	DIM "J"	DIM "K"
76314-XXX(LF)	SEE NEXT SHEET	

WHEN NEEDED, SUFFIX LETTER "LF" INDICATES THE PRODUCT IS RoHS COMPATIBLE, SEE NOTE 5

WHEN SUFFIX "LF" IS REQUIRED, 2µm MIN MATTE TIN OVER 1.27 MIN Ni IS SUPPLIED INSTEAD OF SnPb.



NOTES:

- 1 MATERIAL HOUSING: THERMOPLASTIC POLYESTER 30 % GLASS FILLED, COLOUR BLUE, FLAME RETARDANT PER UL 94-V0
- 2 MATERIAL BOX: BRASS ASTM B36 C26000-H02
- 3 MATERIAL SPRING: BERYLLIUM COPPER ASTM B 194 C 17200-TF 00
- 4 PLATING: SEE NEXT SHEET
- 5 - RoHS COMPATIBLE PRODUCT SPECIFICATIONS
 - a - PLATING:
 - "LF" MEANS THE PRODUCT IS LEAD-FREE, 2µm MINIMUM MATTE TIN OVER 1.27µm MINIMUM NICKEL UNDERPLATE.
 - b - MANUFACTURING PROCESS COMPATIBILITY
 - THE HOUSING WILL WITHSTAND EXPOSURE TO 260°C ±5°C SOLDER BATH TEMPERATURE FOR 5 SECONDS IN A WAVE SOLDER APPLICATION WITH A 1.6mm MIN THICK CIRCUIT BOARD.
 - c - LABELING:
 - MEETS PACKAGING SPECS AS PER GS-14-920
 - d - LEGAL STATEMENT: SEE GS-22-008

76314-1XXLF & -2XXLF ARE SIMILAR TO 76314-(1*2)XX, THE SUFFIX 'LF' IS ADDED FOR LEAD FREE IDENTIFICATION. EXCEPT FOR 76314-9XX; 2µm MIN MATTE TIN OVER 1.27µm Ni IS SUPPLIED INSTEAD OF SnPb.

mat'l. code		surface		tolerance		projection		product family	
SEE NOTES		ISO 1302		ISO 406		ISO 1101		BERGCON	
ltr	ecn no	dr	date	tolerances unless otherwise specified		mm		title	
C	F40751	PNZ	94.10.12	±0.13		mm		V. C. C.	
D	F60062	OMA	96.01.29	Linear		scale 5:1		DOUBLE ROW .100x.100	
E	V60456	OMA	96.03.11	±2'		FCJ		dwg no	
F	F05-0235	DLE	05.08.25	dr		O. MATHEVON		96.01.29	
G	F06-0216	DLE	06.07.11	enr		AESCHBACHER		96.01.29	
				chr		O. MATHEVON		96.01.29	
				appd		M. AE		96.01.29	
sheet index	revision sheet	G	G					type	
	1	2						CUSTOMER Drawing	

PRODUCT NUMBER	NBR OF POS	DIM "J"	DIM "K"
76314-X02(LF)	2x02	(2.54)	(5.08)
76314-X03(LF)	2x03	(5.08)	(7.62)
76314-X04(LF)	2x04	(7.62)	(10.16)
76314-X05(LF)	2x05	(10.16)	(12.70)
76314-X06(LF)	2x06	(12.70)	(15.24)
76314-X07(LF)	2x07	(15.24)	(17.78)
76314-X08(LF)	2x08	(17.78)	(20.32)
76314-X09(LF)	2x09	(20.32)	(22.86)
76314-X10(LF)	2x10	(22.86)	(25.40)
76314-X11(LF)	2x11	(25.40)	(27.94)
76314-X12(LF)	2x12	(27.94)	(30.48)
76314-X13(LF)	2x13	(30.48)	(33.02)
76314-X14(LF)	2x14	(33.02)	(35.56)
76314-X15(LF)	2x15	(35.56)	(38.10)
76314-X16(LF)	2x16	(38.10)	(40.64)
76314-X17(LF)	2x17	(40.64)	(43.18)
76314-X18(LF)	2x18	(43.18)	(45.72)
76314-X19(LF)	2x19	(45.72)	(48.26)
76314-X20(LF)	2x20	(48.26)	(50.80)
76314-X21(LF)	2x21	(50.80)	(53.34)
76314-X22(LF)	2x22	(53.34)	(55.88)
76314-X23(LF)	2x23	(55.88)	(58.42)
76314-X24(LF)	2x24	(58.42)	(60.96)
76314-X25(LF)	2x25	(60.96)	(63.50)

PRODUCT NUMBER	NBR OF POS	DIM "J"	DIM "K"
76314-X26(LF)	2x26	(63.50)	(66.04)
76314-X27(LF)	2x27	(66.04)	(68.58)
76314-X28(LF)	2x28	(68.58)	(71.12)
76314-X29(LF)	2x29	(71.12)	(73.66)
76314-X30(LF)	2x30	(73.66)	(76.20)
76314-X31(LF)	2x31	(76.20)	(78.74)
76314-X32(LF)	2x32	(78.74)	(81.28)
76314-X33(LF)	2x33	(81.28)	(83.82)
76314-X34(LF)	2x34	(83.82)	(86.36)
76314-X35(LF)	2x35	(86.36)	(88.90)
76314-X36(LF)	2x36	(88.90)	(91.44)
76314-X37(LF)	2x37	(91.44)	(93.98)
76314-X38(LF)	2x38	(93.98)	(96.52)
76314-X39(LF)	2x39	(96.52)	(99.06)
76314-X40(LF)	2x40	(99.06)	(101.60)
76314-X41(LF)	2x41	(101.60)	(104.14)
76314-X42(LF)	2x42	(104.14)	(106.68)
76314-X43(LF)	2x43	(106.68)	(109.22)
76314-X44(LF)	2x44	(109.22)	(111.76)
76314-X45(LF)	2x45	(111.76)	(114.30)
76314-X46(LF)	2x46	(114.30)	(116.84)
76314-X47(LF)	2x47	(116.84)	(119.38)
76314-X48(LF)	2x48	(119.38)	(121.92)
76314-X49(LF)	2x49	(121.92)	(124.46)
76314-X50(LF)	2x50	(124.46)	(127.00)

9	5 μm SnPb	1.25 μm SnPb	1.3 μm Ni
2	1.0 μm Au	0.2 μm Au	1.3 μm Ni
1	0.76 μm Au	0.05 μm Au	1.3 μm Ni
PLATING CODE X	PLATING THICKNESS CONTACT AREA	PLATING THICKNESS REMAINDER	THICKNESS UNDER PLATING

mat'l. code SEE TABLE				surface ISO 1302 <input checked="" type="checkbox"/>	tolerance ISO 406 ISO 101 <input checked="" type="checkbox"/>	projection	product family BERGCON
ltr	ecn no	dr	date	tolerances unless otherwise specified			title V. C. C. DOUBLE ROW .100x.100
C	F40751	PNZ	94.10.12	angles	Linear		
D	F60062	OMA	96.01.30			scale N/A	dwg no 76314 sheet 2 of size A3
E	V60456	OMA	96.03.11				
F	F05.0235	DLE	05.08.25	dr	O. MATHEVON 96.01.30		type CUSTOMER Drawing
G	F06-0216	DLE	06.07.11	engr	AESCHBACHER 96.01.30		
				chr	O. MATHEVON 96.01.30		
				appd	M. AE 96.01.30		
sheet index	revision sheet						



Copyright FCJ

X-ON Electronics

Largest Supplier of Electrical and Electronic Components

Click to view similar products for [Headers & Wire Housings](#) category:

Click to view products by [Amphenol](#) manufacturer:

Other Similar products are found below :

[95000-104TRLF](#) [10135584-644402LF](#) [DF62W-EP2022PCA](#) [95000-106TRLF](#) [DF62W-2022SCA](#) [DF62W-EP2022PC](#) [2203348](#) [DF62W-2022SC](#) [1084018](#) [1029039](#) [1084017](#) [802-10-012-10-002000](#) [1112640](#) [1112639](#) [891-007-9SS-BST1T](#) [000-34000](#) [0008550134](#) [0009482033](#) [0009507031](#) [57102-F02-18ULF](#) [57102-S06-03LF](#) [57202-S52-04LF](#) [PCN6-15S-2.5E](#) [0039019024](#) [58102-G61-06LF](#) [582553-1](#) [0009485154](#) [0009508121](#) [009176003701906](#) [0022285053](#) [0050291907](#) [018731A](#) [LY20-4P-DT1-P1E-BR](#) [02.125.8002.8](#) [60101931](#) [60598-1 \(Cut Strip\)](#) [M1625-3R/100](#) [61062-3](#) [61082-181009](#) [CSU011177004](#) [636-1427](#) [638009-1](#) [641938-9](#) [641991-4](#) [644168-1](#) [644827-2](#) [647662-1](#) [65039-019ELF](#) [65692-001LF](#) [65781-018](#)