

PRODUCT NUMBER

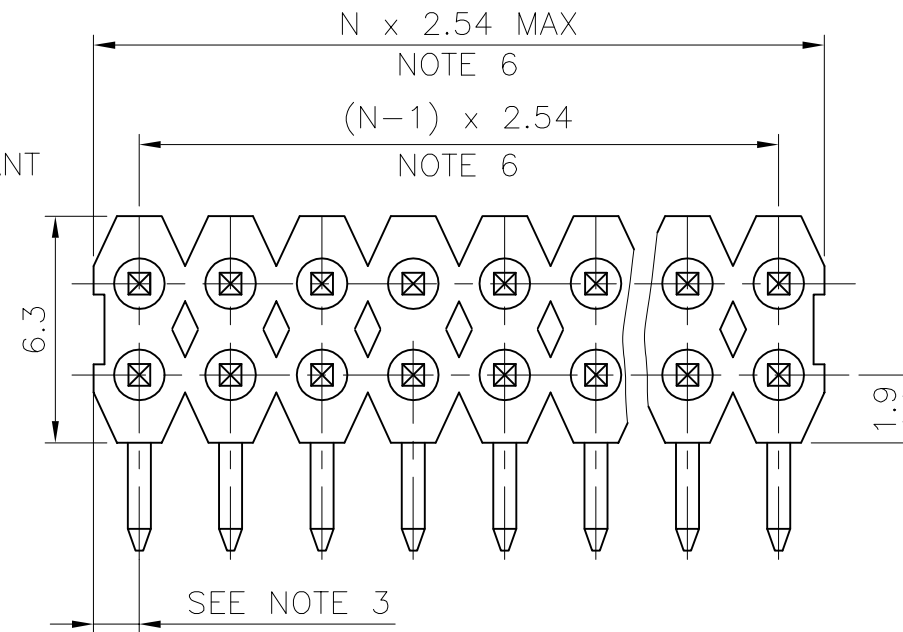
76345-YXX-XXLF

WHEN REQUIRED, ADD SUFFIX LETTER "LF"
INDICATES THE PRODUCT IS RoHS COMPLIANT
& COMPATIBLE, SEE NOTE 7

TOTAL NB OF POSITIONS 04 TO 72

PIN STYLE SEE SHEET 2

PLATING SEE SHEET 2

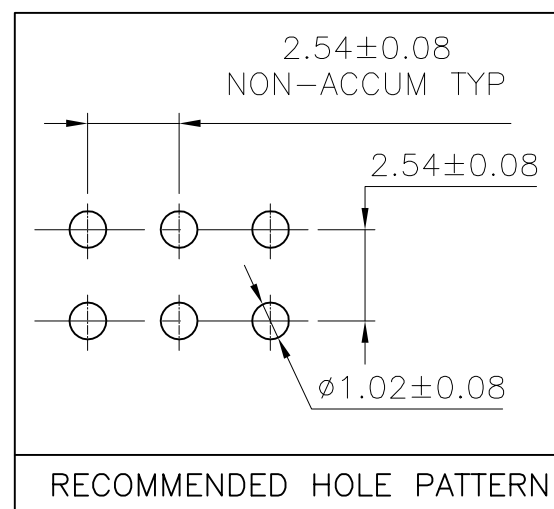
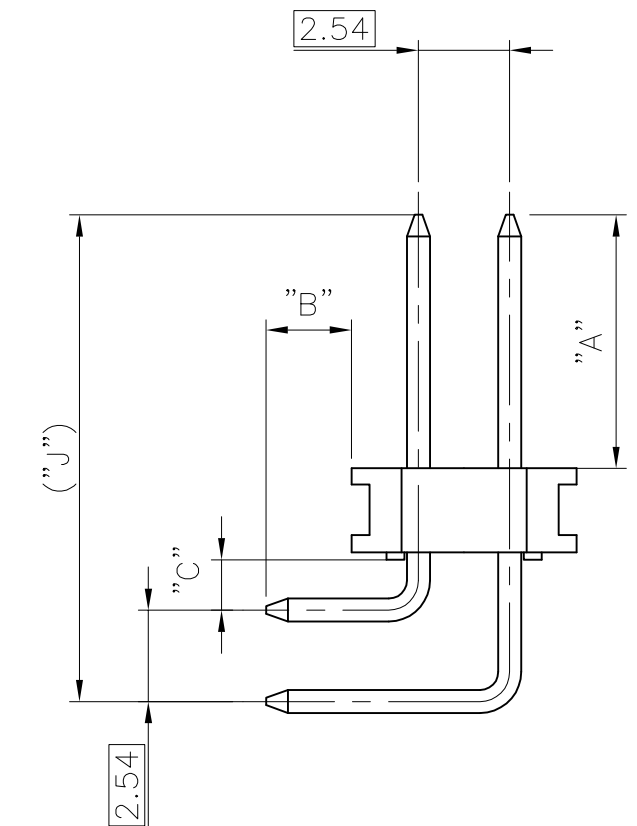
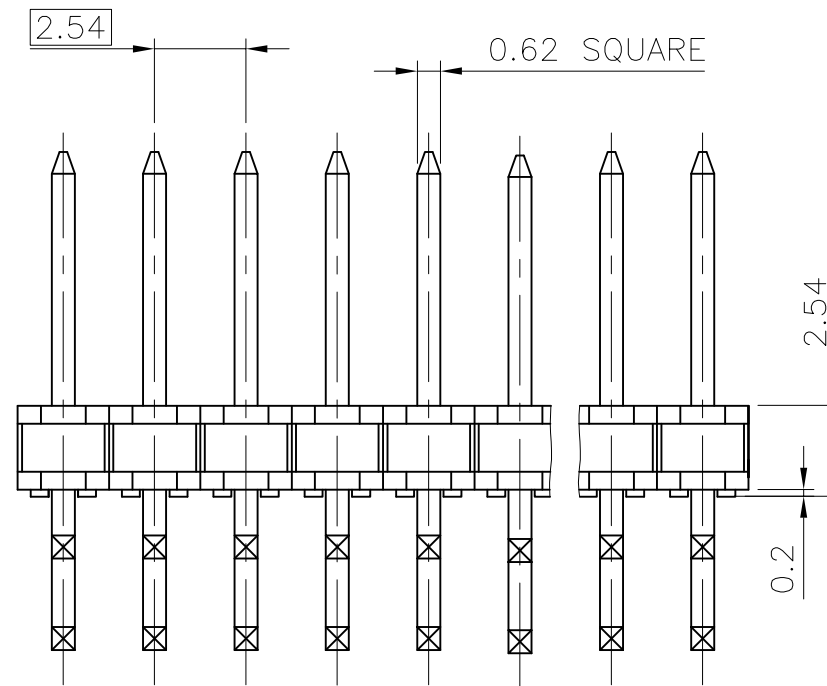


NOTES:

1. HOUSING MAT'L : HIGH TEMPERATURE THERMOPLASTIC. UL94V-0 COLOR: BLACK
2. PIN MATERIAL : PHOSPHOR BRONZE
3. DIM 1.27 ^{+0.03}/_{-0.13} FOR MOULDED SIDE(S) ONLY. IF SIDE(S) ARE BROKEN, DIM 1.02 TO 1.7 MAX APPLIES.

4. PRODUCT PACKAGED IN POLY BAGS.
5. 12N MIN RETENTION IN EITHER DIRECTION
6. TO DETERMINE DIMENSIONS :
N = NUMBER OF POSITIONS PER ROW
EXAMPLE : 8 POS N x 2.54 = 20.32mm
7. RoHS COMPATIBLE PRODUCT SPECIFICATIONS

- a - MANUFACTURING PROCESS COMPATIBILITY
- THE HOUSING WILL WITHSTAND EXPOSURE TO 260°C ±5°C SOLDER BATH TEMPERATURE FOR 5 SECONDS IN A WAVE SOLDER APPLICATION WITH A 1.6mm MIN THICK CIRCUIT BOARD.
- b - LABELLING:
- MEETS PACKAGING SPECS AS PER GS-14-920
- c - LEGAL STATEMENT : SEE GS-22-008



mat'l. code SEE NOTES				surface ISO 1302	tolerance ISO 406 ISO 1101	projection mm	product family BSTIK
ltr	ecn no	dr	date	tolerances unless otherwise specified			title HEADER RA,DR, WIDE BODY,2.54mm
L	F10407	JMC	91.05.24	angles	.X ±0.3		dwg no 76345
M	F50646	JMC	95.08.30	linear	.XX ±0.15	scale 5:1	sheet 1 of 2
N	F05-0186	LMU	05.05.31		.XXX ±0.05		size A3
P	F06-0207	LMU	06.07.27	dr	COMPAGNON J		type CUSTOMER Drawing
R	F08-0148	JCO	08.05.27	enr	JMC		
				chr	JMC		
				appd	JMC		
sheet index	revision	R	R				
	sheet	1	2				

PIN STYLE	PRODUCT DIMENSIONS			
	"A" ±0.2	"B" ±0.35	"C" REF	"J" REF
01	5.72	3.05	1.4	12.19
02	5.72	3.7	1.4	12.19
03	8.08	2.93	1.52	14.68
04	6.1	3.2	1.52	12.7
05	7.15	3.05	1.52	13.75
06	5.84	2.83	1.52	12.44
07	10.89	3.05	1.52	17.49

76345-9XX(LF)	0.2µm Au
76345-8XX(LF)	0.38µm Au/GXT
76345-7XX(LF)	
76345-6XX(LF)	0.76µm PdNi - GOLD FLASH
76345-5XX(LF)	0.38µm PdNi - GOLD FLASH
76345-4XX(LF)	
76345-3XXLF	2µm Sn MIN MATTE
76345-3XX	3.81µm SnPb
76345-2XX(LF)	1.27µm Au/GXT
76345-1XX(LF)	0.76µm Au/GXT
PLATING CODE	MINIMUM PLATING THICKNESS OVER 1.27µm MIN

mat'l. code				surface ISO 1302 <input checked="" type="checkbox"/> ISO 406 ISO 1101		tolerance ISO 406 ISO 1101		projection 		product family BSTIK	
ltr	ecn no	dr	date	tolerances unless otherwise specified				title HEADER, DR, RA, WIDE BODY, 2.54 mm			
L	F10407	JMC	91.05.24	angles	linear	mm		dwg no 76345			
M	F50646	JMC	95.08.30			scale		sheet 2 of - size A3			
N	F05-0186	LMU	05.05.31					type CUSTOMER Drawing			
P	F06-0207	LMU	06.07.27	dr	J COMPAGNON	95.08.29					
R	F08-0148	JCO	08.05.27	enr	JMC	95.08.30					
				chr							
				appd	JMC	95.08.30					
sheet index	revision sheet										



Copyright FCI

X-ON Electronics

Largest Supplier of Electrical and Electronic Components

Click to view similar products for [Headers & Wire Housings](#) category:

Click to view products by [Amphenol](#) manufacturer:

Other Similar products are found below :

[892-18-020-10-001101](#) [58102-G61-06LF](#) [582553-1](#) [0009485154](#) [009176003701906](#) [0050291907](#) [LY20-4P-DT1-P1E-BR](#) [02.125.8002.8](#)
[609-3404](#) [61062-3](#) [622-0430](#) [622-3653LF](#) [63453-116](#) [636-1030](#) [636-1427](#) [636-3427](#) [636-4007](#) [641938-9](#) [641991-4](#) [644827-2](#) [65817-010LF](#)
[65817-015LF](#) [65863-015LF](#) [66207-023LF](#) [67095-007LF](#) [67601157](#) [68648-049](#) [70.362.1628.0](#) [70-4210](#) [70-4226B](#) [70-4853B](#) [707-5020](#) [707-5028](#) [71.350.2428.0](#) [71918-208LF](#) [71961-016LF](#) [733-134](#) [733-162](#) [754199-000](#) [760-3052](#) [787-8014-00](#) [79531-3000](#) [FCN-360C032-B](#) [FCN-367T-T012/H](#) [FCN-723D010/2](#) [80.063.4001.1](#) [800-90-001-10-001000](#) [800-90-010-10-002000](#) [801-43-002-10-013000](#) [801-43-006-10-002000](#)