

PRODUCT NUMBER  
76347-YXXLF

WHEN NEEDED, SUFFIX LETTER "LF"  
INDICATES THE PRODUCT IS RoHS  
COMPATIBLE, SEE NOTE 3

DEPENDS ON:  
INSULATION BARREL,  
WIRE BARREL AWG RANGE,  
REELING METHOD,  
NUMBER OF PRODUCT.  
SEE TABLE SHEET 2/2.

PLATING CODE  
3= 0.76µm GOLD ON CONTACT AREA.  
3.81µm TIN-LEAD ON TAIL.  
4= 5µm TIN-LEAD ON CONTACT AREA.  
3.81µm TIN-LEAD ON TAIL.

WHEN SUFFIX "LF" IS REQUIRED, 2µm MIN MATTE  
TIN OVER 1.27 MIN Ni IS SUPPLIED INSTEAD OF SnPb.

NOTES:

- 1 - TERMINAL MATERIAL: PHOSPHOR BRONZE.
- 2 - PRODUCT PACKED IN REEL.
- 3 - RoHS COMPATIBLE PRODUCT SPECIFICATIONS

a - PLATING:

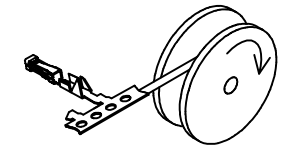
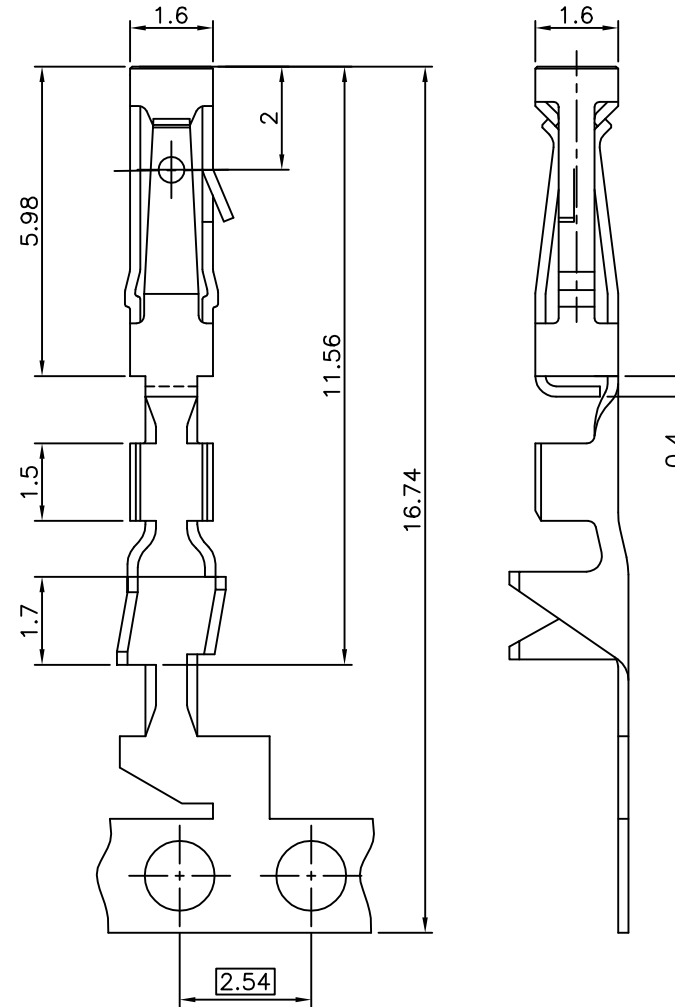
- "LF" MEANS THE PRODUCT IS LEAD-FREE,  
2µm MINIMUM MATTE TIN OVER 1.27µm  
MINIMUM NICKEL UNDERPLATE.

b - LABELING:

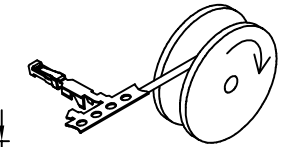
- MEETS PACKAGING SPECS AS PER GS-14-920

c - LEGAL STATEMENT: SEE GS-22-008

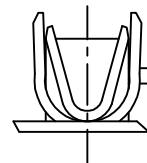
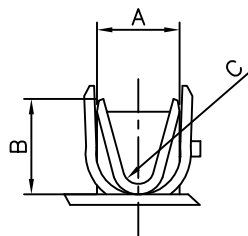
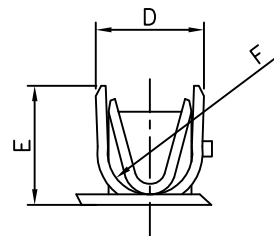
THE PRODUCT IS NOT INTENDED TO BE EXPOSED TO A



REELING METHOD P



REELING METHOD R



mat'l. code		surface		tolerance		projection		product family	
		ISO 1302		ISO 406 ISO 1101		mm		DUBOX	
ltr		ecn no		dr		date		title	
S		F06-0237		DLE		06.07.103		CtW CONTACT ON REEL	
L		F04-0145		DLE		04.02.25		scale 10:1	
M		F04-036Q		DLE		04.10.11		sheet 1 of 2	
N		F04-0373		DLE		04.11.19		size A3	
P		F05-0286		DLE		05.11.07		76347	
R		F06-0215		DLE		06.06.30		type CUSTOMER Drawing	
sheet		revision		S		D			
index		sheet		1		2			

PRODUCT NUMBER	WIRE BARREL			INSULATION BARREL			REELING		APPLICATION DATA		
	AWG SIZE	A	B	C	INSULATION DIA RANGE	D	E	F		METHOD	PRODUCTS
76347-X01(LF)	22-30	1.6	1.6	0.3	0.9-1.5	2.1	2.6	0.8	P	15 000	TA 317
76347-X02(LF)	22-30	1.6	1.6	0.3	0.9-1.5	2.1	2.6	0.8	R	15 000	TA 317
76347-X03(LF)	22-30	1.6	1.6	0.3	0.9-1.5	2.1	2.6	0.8	R	500	TA 317
76347-X11(LF)	20-22	2.1	2.0	0.6	1.1-1.6	2.4	2.2	0.8	P	15 000	TA 317
76347-X12(LF)	20-22	2.1	2.0	0.6	1.1-1.6	2.4	2.2	0.8	R	15 000	TA 317
76347-X41(LF)	28-32	1.7	1.0	0.3	0.55-0.8	1.3	1.3	0.3	P	15 000	TA 340
76347-X42(LF)	28-32	1.7	1.0	0.3	0.55-0.8	1.3	1.3	0.3	R	15 000	TA 340



Copyright FCI

mat'l. code				surface ISO 1302	tolerance ISO 406 ISO 1101	projection 	product family DUBOX	
ltr	ecn no	dr	date	tolerances unless otherwise specified		mm 	title CtW CONTACT ON REEL	
A	F10103	GCO	00.12.22	angles	linear		sheet 2 of 2	
B	F10527	GSA	01.09.20			scale 2.5:1	size A3	
C	F04-0373	DLE	04.11.19				dwg no 76347	
D	F06-0215	DLE	06.06.30	dr	G CORBOZ		type CUSTOMER Drawing	
				enr	P NIZZI			
				chr				
				appd	P N			
sheet index	revision sheet							

## X-ON Electronics

Largest Supplier of Electrical and Electronic Components

*Click to view similar products for [Headers & Wire Housings](#) category:*

*Click to view products by [Amphenol](#) manufacturer:*

Other Similar products are found below :

[892-18-020-10-001101](#) [58102-G61-06LF](#) [582553-1](#) [0009485154](#) [009176003701906](#) [0050291907](#) [LY20-4P-DT1-P1E-BR](#) [02.125.8002.8](#)  
[609-3404](#) [61062-3](#) [622-0430](#) [622-3653LF](#) [63453-116](#) [636-1030](#) [636-1427](#) [636-3427](#) [636-4007](#) [641938-9](#) [641991-4](#) [644827-2](#) [65817-010LF](#)  
[65817-015LF](#) [65863-015LF](#) [66207-023LF](#) [67095-007LF](#) [67601157](#) [68648-049](#) [70.362.1628.0](#) [70-4210](#) [70-4226B](#) [70-4853B](#) [707-5020](#) [707-5028](#) [71.350.2428.0](#) [71918-208LF](#) [71961-016LF](#) [733-134](#) [733-162](#) [754199-000](#) [760-3052](#) [787-8014-00](#) [79531-3000](#) [FCN-360C032-B](#) [FCN-367T-T012/H](#) [FCN-723D010/2](#) [80.063.4001.1](#) [800-90-001-10-001000](#) [800-90-010-10-002000](#) [801-43-002-10-013000](#) [801-43-006-10-002000](#)