

PRODUCT NUMBER  
76383-YXXLF

WHEN REQUIRED, ADD SUFFIX LETTER "LF"  
INDICATES THE PRODUCT IS RoHS  
COMPATIBLE, SEE NOTE 7

PLATING  
3=0.76µm GOLD ON CONTACT AREA  
3.81µm TIN-LEAD ON TAIL

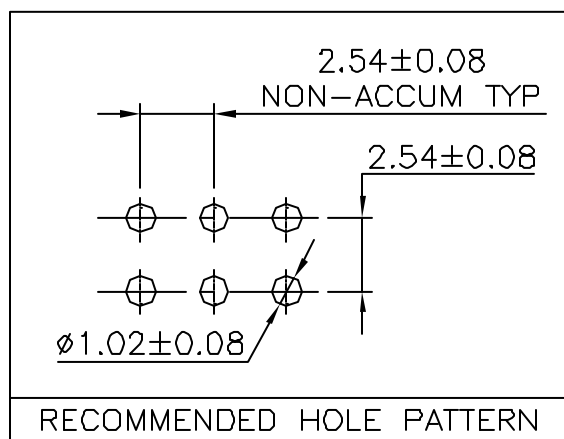
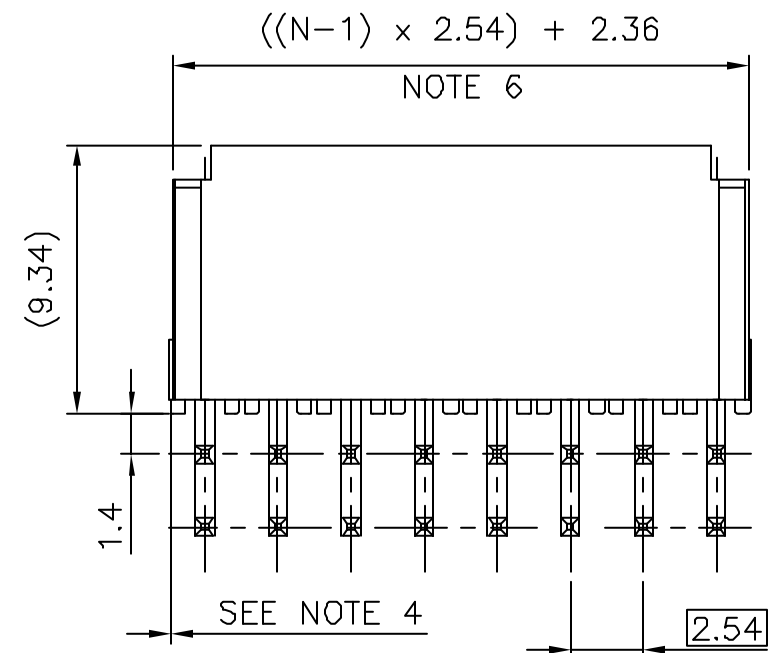
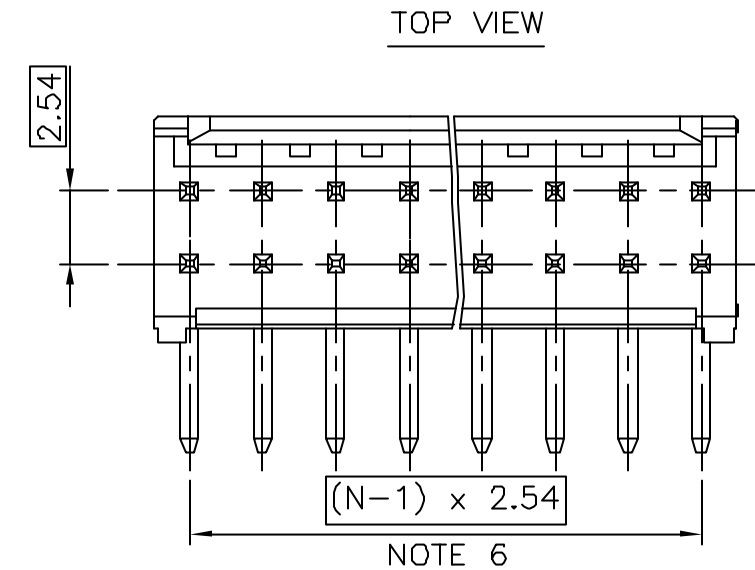
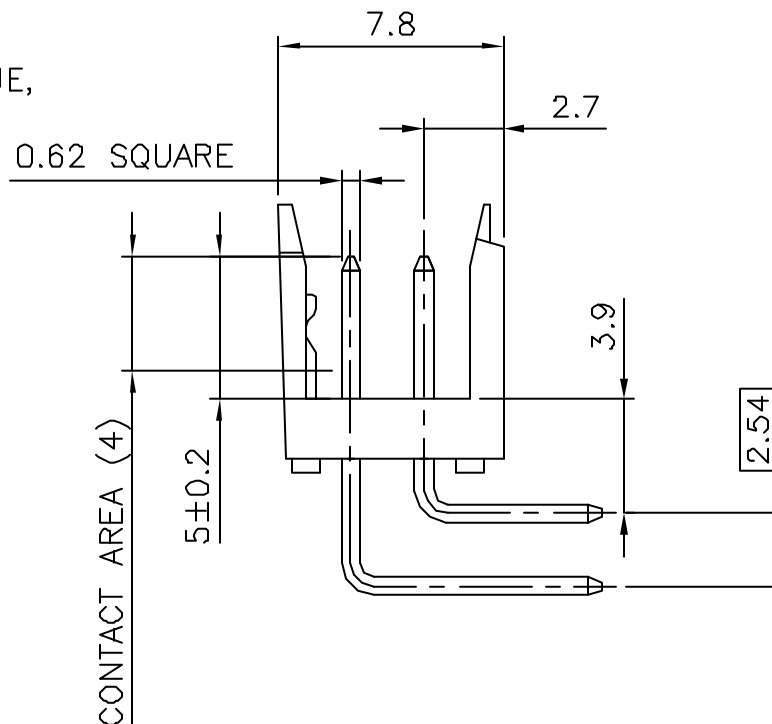
4=3.81µm TIN-LEAD ON CONTACT AREA  
AND ON TAIL

WHEN "LF" IS REQUIRED, 2µm MIN  
MATTE TIN OVER 1.27µm MIN NICKEL  
IS PROVIDED INSTEAD OF TIN-LEAD

NUMBER OF POSITIONS PER ROW: 04 TO 36

NOTES:

1. BODY MATERIAL: POLYESTER 30% GLASSFILLED COLOR BLUE, FLAME RETARDANT PER UL-94 V0.
2. CONTACT MATERIAL: PHOSPHOR BRONZE.
3. 22N MIN PIN RETENTION IN EITHER DIRECTION
4. 0.6 MAX PROTRUSION PERMITTED AT 4 PLACES
5. PACKAGING :  
- POLYBAGS FROM 2 x 02 TO 2 x 06 POSITIONS  
- TUBE FROM 2 x 07 TO 2 x 36 POSITIONS
6. TO DETERMINE DIMENSIONS :  
N = NUMBER OF POSITIONS PER ROW  
EXAMPLE : 8 POS N x 2.54 = 20.32mm
7. RoHS COMPATIBLE PRODUCT SPECIFICATIONS
  - a - PLATING:  
- "LF" MEANS THE PRODUCT IS LEAD-FREE,  
2µm MINIMUM MATTE TIN OVER 1.27µm  
MINIMUM NICKEL UNDERPLATE.
  - b - MANUFACTURING PROCESS COMPATIBILITY  
- THE HOUSING WILL WITHSTAND EXPOSURE TO  
245°C ±5°C SOLDER BATH TEMPERATURE FOR  
5 SECONDS IN A WAVE SOLDER APPLICATION  
WITH A 1.6mm MIN THICK CIRCUIT BOARD.
  - c - LABELING:  
- MEETS PACKAGING SPECS AS PER GS-14-920
  - d - LEGAL STATEMENT: SEE GS-22-008



mat'l. code				surface	tolerance	projection	product family	
SEE NOTE				ISO 1302	ISO 406	ISO 1101	DUBOX	
E	F00133	DLE	00.02.21	tolerances unless otherwise specified	.X	±0.3	title	
F	F10120	DLE	01.01.24	angles	.XX	±0.15	SHR. HEADER	
G	F05-0117	LMU	05.01.31	Linear	.XXX	±0.05	RA DR TMT	
H	F05-0244	JCO	05.09.06	dr	D.LE	01.01.24	scale 5:1	dwg no
J	F06-0228	LMU	06.07.11	engr	JM.C	01.01.24	FCJ	sheet 1 of 1
K	F06-0333	LMU	06.12.06	chr	JM.C	01.01.24	76383	size
				app	JF.N	01.01.24		A3
sheet index				revision			type	
				sheet			CUSTOMER Drawing	

## X-ON Electronics

Largest Supplier of Electrical and Electronic Components

*Click to view similar products for [Headers & Wire Housings](#) category:*

*Click to view products by [Amphenol](#) manufacturer:*

Other Similar products are found below :

[892-18-020-10-001101](#) [58102-G61-06LF](#) [582553-1](#) [0009485154](#) [009176003701906](#) [0050291907](#) [LY20-4P-DT1-P1E-BR](#) [02.125.8002.8](#)  
[609-3404](#) [61062-3](#) [622-0430](#) [622-3653LF](#) [63453-116](#) [636-1030](#) [636-1427](#) [636-3427](#) [636-4007](#) [641938-9](#) [641991-4](#) [644827-2](#) [65817-010LF](#)  
[65817-015LF](#) [65863-015LF](#) [66207-023LF](#) [67095-007LF](#) [67601157](#) [68648-049](#) [70.362.1628.0](#) [70-4210](#) [70-4226B](#) [70-4853B](#) [707-5020](#) [707-5028](#) [71.350.2428.0](#) [71918-208LF](#) [71961-016LF](#) [733-134](#) [733-162](#) [754199-000](#) [760-3052](#) [787-8014-00](#) [79531-3000](#) [FCN-360C032-B](#) [FCN-367T-T012/H](#) [FCN-723D010/2](#) [80.063.4001.1](#) [800-90-001-10-001000](#) [800-90-010-10-002000](#) [801-43-002-10-013000](#) [801-43-006-10-002000](#)