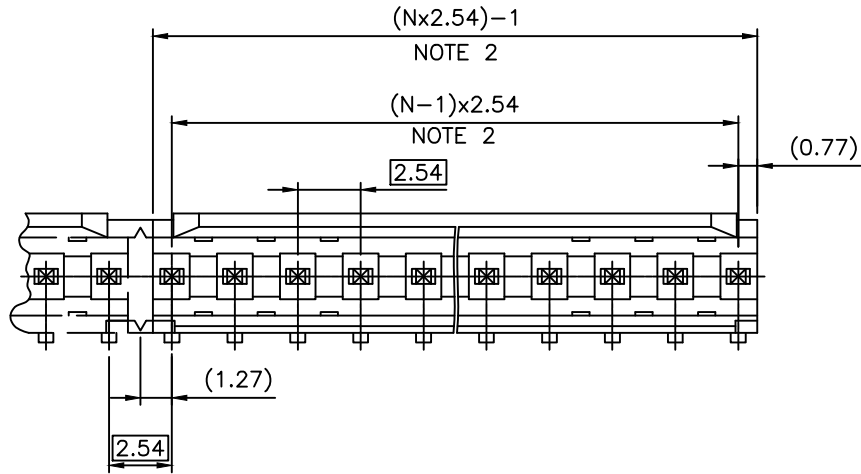
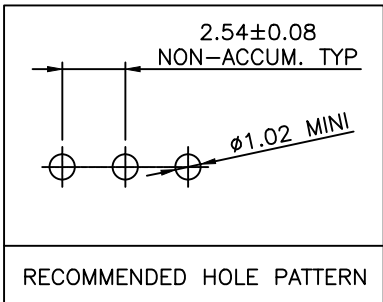
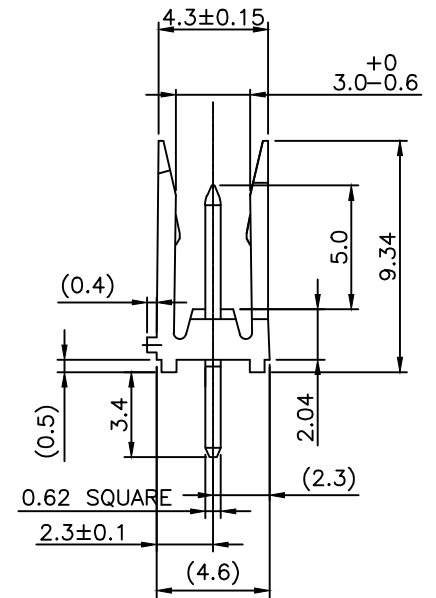
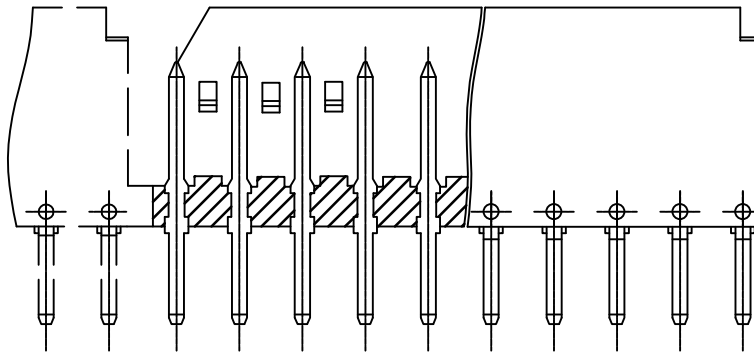


PRODUCT NUMBER
SEE SHEET 2



NOTES :

- MINI PUSH-OUT FORCE TERMINAL IN BOTH DIRECTIONS 22N.
- TO DETERMINE DIMENSIONS:
N = NUMBER OF POSITIONS PER ROW
EXAMPLE: 8 POS: $(N \times 2.54) - 1 = 19.32$ mm



mat'l. code	surface	tolerance	projection	product family
SEE NOTES	ISO 1302 ✓	ISO 406 ISO 1101		DUBOX
ltr	ecn no	dr	date	title
N	F06-0228	LMU	06.07.11	SHR. HEADER
P	F06-0319	LMU	06.11.10	STR SR TMT
R	F07-0147	LMU	07.03.01	
S	F07-0220	J.CO	07.06.14	
T	F08-0147	YOV	08.04.14	
U	B-19286	AMA	14.11.03	
V	B-21014	BVE	15.06.01	
sheet	revision	V	F	
index	sheet	1	2	



Copyright FCI

RoHS COMPLIANT PRODUCT NUMBER

76384-YXXLF

PLATING CODE _____

RoHS COMPLIANT, SEE NOTE 5

3= 0.76µm GOLD/GXT ON CONTACT AREA.

2µm MIN MATTE TIN ON TAIL.

4= 2µm MIN MATTE TIN FULL PLATED

NUMBER OF POSITIONS: 02 TO 18

1.27µm Ni MIN UNDERPLATING

NOTES:

- 1 - HOUSING MAT'L: THERMOPLASTIC GLASS FILLED
FLAME RETARDANT PER UL 94 V-O COLOR: BLACK.
- 2 - TERMINAL MATERIAL: COPPER ALLOY.
- 3 - 2 UP TO 6 POSITIONS, PRODUCT PACKED IN PLASTIC BAG.
7 UP TO 18 POSITIONS, PRODUCT PACKED IN TUBE.
- 4 - ONLY DASH NUMBER -X02 AND -X03
ALWAYS TEN (10) PRODUCTS MOLDED ASSEMBLY
& DELIVERED ON STRIP ACCORDING PHANTOM LINES.
- 5 - RoHS COMPATIBLE PRODUCT SPECIFICATIONS
 - a - PLATING:
 - "LF" MEANS THE PRODUCT IS LEAD-FREE,
2µm MINIMUM MATTE TIN OVER 1.27µm
MINIMUM NICKEL UNDERPLATE.
 - b - MANUFACTURING PROCESS COMPATIBILITY
 - THE HOUSING WILL WITHSTAND EXPOSURE TO
260°C ±5°C SOLDER BATH TEMPERATURE FOR
5 SECONDS IN A WAVE SOLDER APPLICATION
WITH A 1.6mm MIN THICK CIRCUIT BOARD.
 - c - LABELING:
 - MEETS PACKAGING SPECS AS PER GS-14-920
 - d - LEGAL STATEMENT: SEE GS-47-0004

mat'l. code		surface		tolerance		projection		product family	
SEE NOTES		ISO 1302 ✓		ISO 406 ISO 1101				DUBOX	
ltr	ecn no	dr	date	tolerances unless otherwise specified				title	
A	F05-0159	LMU	05.03.31	angles	linear	.X ±0.3		SHR. HEADER	
B	F06-0228	LMU	06.07.11			.XX ±0.15		STR SR TMT	
C	F07-0147	LMU	07.03.01			.XXX ±0.05		scale 5:1	
D	F07-0220	JCO	07.06.14	dr	L.MULIN	05.03.25		dwg no	
E	F08-0147	YOV	08.04.14	engr	J.COMPAGNON	05.03.25		sheet 2 of	
F	B-19286	AMA	14.11.03	chr				76384	
				appd	JM.C	05.03.25		size	
								A3	
sheet		revision		type		CUSTOMER Drawing			
index		sheet							

X-ON Electronics

Largest Supplier of Electrical and Electronic Components

Click to view similar products for [Headers & Wire Housings](#) category:

Click to view products by [Amphenol](#) manufacturer:

Other Similar products are found below :

[892-18-020-10-001101](#) [58102-G61-06LF](#) [582553-1](#) [0009485154](#) [009176003701906](#) [0050291907](#) [LY20-4P-DT1-P1E-BR](#) [02.125.8002.8](#)
[609-3404](#) [61062-3](#) [622-0430](#) [622-3653LF](#) [63453-116](#) [636-1030](#) [636-1427](#) [636-3427](#) [636-4007](#) [641938-9](#) [641991-4](#) [644827-2](#) [65817-010LF](#)
[65817-015LF](#) [65863-015LF](#) [66207-023LF](#) [67095-007LF](#) [67601157](#) [68648-049](#) [70.362.1628.0](#) [70-4210](#) [70-4226B](#) [70-4853B](#) [707-5020](#) [707-](#)
[5028](#) [71.350.2428.0](#) [71918-208LF](#) [71961-016LF](#) [733-134](#) [733-162](#) [754199-000](#) [760-3052](#) [787-8014-00](#) [79531-3000](#) [FCN-360C032-B](#) [FCN-](#)
[367T-T012/H](#) [FCN-723D010/2](#) [80.063.4001.1](#) [800-90-001-10-001000](#) [800-90-010-10-002000](#) [801-43-002-10-013000](#) [801-43-006-10-002000](#)