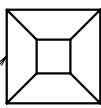


VIEW "F"
SCALE: 10/1

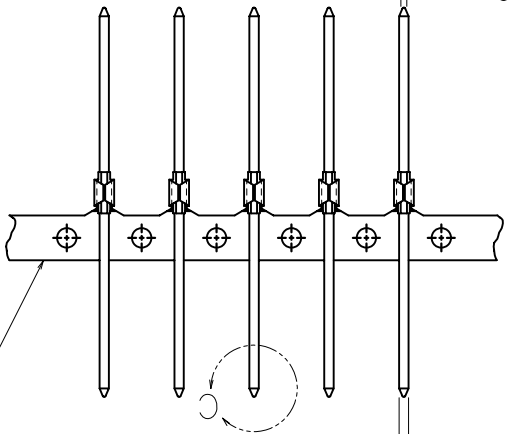


TWO SIDES OF LEAD-IN
NOT PLATED TYP BOTH ENDS



EXCEPT PER NOTE 4
MAX FLAT

0.16
0.41



NOTE 3

.005/.13

PRODUCT NUMBER
SEE TABLE

Copyright FCI

FCIconnect.com



2

1

3

4

mat'l code	ecn no	dr	date	tolerances unless otherwise specified	projection	product family
SEE NOTE 1				ASME Y14.5	ASME Y14.5	PIN PRODUCTS
surface	angles	angles	angles	tolerances unless otherwise specified	projection	
ASME Y14.5	ASME Y14.5	ASME Y14.5	ASME Y14.5	tolerances unless otherwise specified	projection	
XX+01/X+3	XX+01/X+3	XX+01/X+3	XX+01/X+3	tolerances unless otherwise specified	projection	
2007-01-08	2007-01-08	2007-01-08	2007-01-08	tolerances unless otherwise specified	projection	
HTB	HTB	HTB	HTB	tolerances unless otherwise specified	projection	
2008-08-25	2008-08-25	2008-08-25	2008-08-25	tolerances unless otherwise specified	projection	
U	U	U	U	tolerances unless otherwise specified	projection	
V07-0009	V07-0009	V07-0009	V07-0009	tolerances unless otherwise specified	projection	
HTB	HTB	HTB	HTB	tolerances unless otherwise specified	projection	
2007-01-08	2007-01-08	2007-01-08	2007-01-08	tolerances unless otherwise specified	projection	
V	V	V	V	tolerances unless otherwise specified	projection	
V08-0354	V08-0354	V08-0354	V08-0354	tolerances unless otherwise specified	projection	
HTB	HTB	HTB	HTB	tolerances unless otherwise specified	projection	
2008-08-25	2008-08-25	2008-08-25	2008-08-25	tolerances unless otherwise specified	projection	
-	-	-	-	tolerances unless otherwise specified	projection	
-	-	-	-	tolerances unless otherwise specified	projection	
P	P	P	P	tolerances unless otherwise specified	projection	
V71499	V71499	V71499	V71499	tolerances unless otherwise specified	projection	
HTB	HTB	HTB	HTB	tolerances unless otherwise specified	projection	
1997-10-31	1997-10-31	1997-10-31	1997-10-31	tolerances unless otherwise specified	projection	
J. BAIR	J. BAIR	J. BAIR	J. BAIR	tolerances unless otherwise specified	projection	
1990-08-08	1990-08-08	1990-08-08	1990-08-08	tolerances unless otherwise specified	projection	
R	R	R	R	tolerances unless otherwise specified	projection	
V01594	V01594	V01594	V01594	tolerances unless otherwise specified	projection	
JRW	JRW	JRW	JRW	tolerances unless otherwise specified	projection	
2000-07-13	2000-07-13	2000-07-13	2000-07-13	tolerances unless otherwise specified	projection	
ENGJ	ENGJ	ENGJ	ENGJ	tolerances unless otherwise specified	projection	
M. LEACH	M. LEACH	M. LEACH	M. LEACH	tolerances unless otherwise specified	projection	
1990-08-08	1990-08-08	1990-08-08	1990-08-08	tolerances unless otherwise specified	projection	
S	S	S	S	tolerances unless otherwise specified	projection	
V05-0400	V05-0400	V05-0400	V05-0400	tolerances unless otherwise specified	projection	
HTB	HTB	HTB	HTB	tolerances unless otherwise specified	projection	
2005-04-29	2005-04-29	2005-04-29	2005-04-29	tolerances unless otherwise specified	projection	
CHP	CHP	CHP	CHP	tolerances unless otherwise specified	projection	
2006-07-25	2006-07-25	2006-07-25	2006-07-25	tolerances unless otherwise specified	projection	
APPD	APPD	APPD	APPD	tolerances unless otherwise specified	projection	
E. IORRDO	E. IORRDO	E. IORRDO	E. IORRDO	tolerances unless otherwise specified	projection	
1997-10-22	1997-10-22	1997-10-22	1997-10-22	tolerances unless otherwise specified	projection	
T	T	T	T	tolerances unless otherwise specified	projection	
V06-0684	V06-0684	V06-0684	V06-0684	tolerances unless otherwise specified	projection	
HTB	HTB	HTB	HTB	tolerances unless otherwise specified	projection	
2006-07-25	2006-07-25	2006-07-25	2006-07-25	tolerances unless otherwise specified	projection	
Sheet	revision	Sheet	revision	tolerances unless otherwise specified	projection	
1	V	1	V	tolerances unless otherwise specified	projection	
2	V	2	V	tolerances unless otherwise specified	projection	
3	V	3	V	tolerances unless otherwise specified	projection	
4	V	4	V	tolerances unless otherwise specified	projection	
Index	Sheet	Index	Sheet	tolerances unless otherwise specified	projection	

product family
PIN PRODUCTS

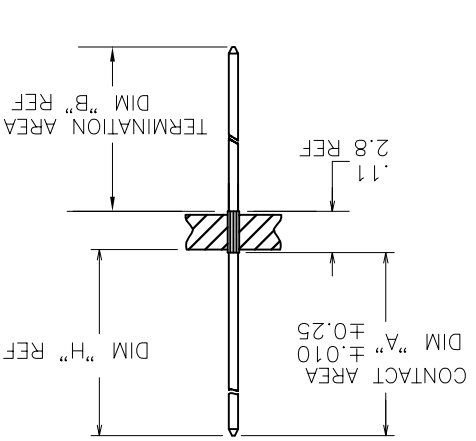
title
BERGFIN® .200 [5.08] cc
.041 [1.04] DIA. STAR
.110 [2.79] LONG STAR

dwg no
76602

sheet 1 of 4
size
A4

type
CUSTOMER Drawing

SECTION THRU PC BOARD



CONTACT AREA
DIM "A" ±.010
DIM "H" REF

TERMINATION AREA
DIM "B" REF

OVERALL LENGTH
DIM "L" ±.010
DIM "L" ±.025

VIEW "F"

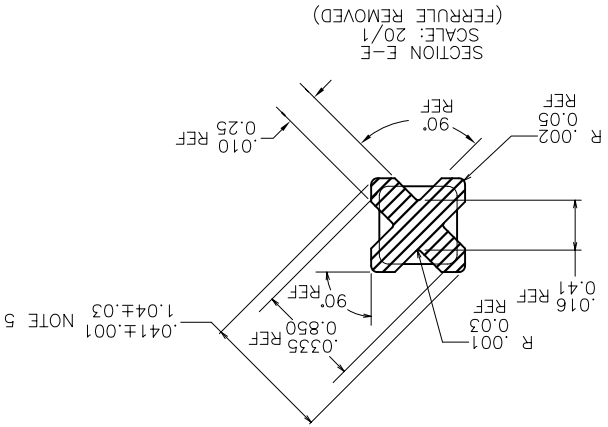


PRODUCT NUMBER	PLATING	UNDERPLATING
76602-1YY	30µ"/.76µ MIN AU	50µ"/1.27µ MIN NI
76602-1YYLF		
76602-3YY	50µ"/1.27µ MIN AU	50µ"/1.27µ MIN NI
76602-4YY	120µ"/3.05µ MIN 93/7 SnPb	50µ"/1.27µ MIN NI
76602-4YYLF	100µ"/2.54µ MIN Sn (NOTE 11)	50µ"/1.27µ MIN NI
76602-5YY	30µ"/.76µ MIN GXT™	50µ"/1.27µ MIN NI
76602-6YY	15µ"/.38µ MIN GXT™	50µ"/1.27µ MIN NI
76602-6YYLF		
76602-9YY	15µ"/.38µ MIN AU	50µ"/1.27µ MIN NI

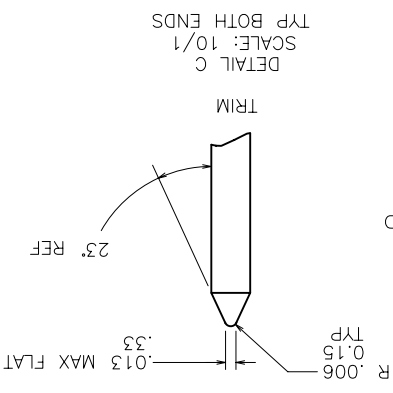
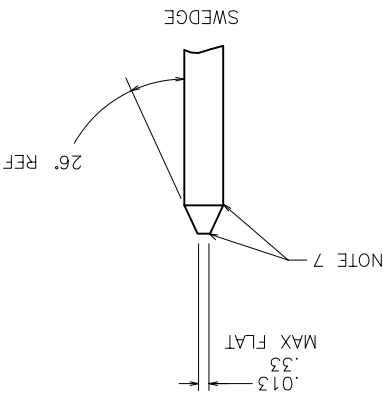
NOTES:

- ① PIN MATERIAL: 3/4 HARD PHOS BRONZE PER ASTM B-159-66
- ② SEE PRODUCT SPECIFICATION BUS-12-064 FOR P.C. BOARD HOLE DIAMETER AND P.C. BOARD HOLE PLATING INFORMATION.
- ③ FOR MANUFACTURING PURPOSES ONLY.
- ④ DOUBLE ENDED PINS AS MARKED MUST MEET SPECS IN VIEWS C AND D ON BOTH ENDS. OTHERS TO HAVE .016 [0.41] MAX DIM ON BOTTOM END OF PIN.
- ⑤ THE .041±.001 [1.04±0.03] FEATURE SHALL BE CONCENTRIC TO THE WIRE DIAGONAL WITHIN .004 [0.10] TIR.
- ⑥ .003 [0.08] R MAX TYP (4) ON WIRE WRAP PORTION OF PIN.
- ⑦ BURNISH MARKS ON PIN PERMITTED.
BURR: .003 [0.08] MAX, BULGE: .0005 [0.013] MAX TYP.
- ⑧ SAME AS 76644, EXCEPT WITHOUT SOLDER WASHER.
- ⑨ CENTERLINE OF TERMINAL MUST BE IN TRUE POSITION WITHIN .016 [0.41] DIA WITH RESPECT TO THE HOLE AXIS AFTER INSERTION IN P.C. BOARD.
- ⑩ ADD AN LF SUFFIX TO PART NUMBERS FOR PRODUCT THAT MEETS EUROPEAN UNION DIRECTIVES AND OTHER COUNTRY REGULATIONS AS DESCRIBED IN GS-22-008.
- ⑪ THIS PRODUCT HAS 100% TIN PLATING IN THE INTERFACE AND HAS NOT BEEN TESTED FOR WHISKER GROWTH IN ALL INTERCONNECT ENVIRONMENTS.

mat'l code	SEE NOTE 1	ecn no	dr	date	tolerance unless otherwise specified	surface	ASME Y14.5	projection	product family	PIN PRODUCTS
tolerance	ASME Y14.5	tolerance	ASME Y14.5	projection	product family	PIN PRODUCTS	title	BERGPIN® .200 [5.08] ec	.041" [1.04] DIA. STAR	.110" [2.79] LONG STAR
angles	XX.01/X.3	angles	XXX.005/XX.3	scale	1:1	scale	1:1	dwg no	sheet 2 of 4	size
appd	E. IORFIDO	1992-10-22	appd	E. IORFIDO	1992-10-22	type	CUSTOMER Drawing	76602	A4	
chf	E. IORFIDO	1992-10-22	eng	M. LEACH	1990-08-08	FCI				
dr	J. BAIR	1990-08-08								



DETAIL D
SCALE: 10/1
TYP BOTH ENDS



DETAIL C
SCALE: 10/1
TYP BOTH ENDS



PRODUCT NUMBER	CONTACT AREA	TERM. AREA	DIM A	DIM A	DIM B	DIM H FOR BOARD	DIM H FOR BOARD	OVERALL LENGTH	
76602-X01	ENGLISH METRIC	ENGLISH METRIC	6.10	0.040	1.02	0.248	6.30	0.232	5.89
76602-X02	ENGLISH METRIC	ENGLISH METRIC	6.86	0.040	1.02	0.278	7.06	0.262	6.65
76602-X03	ENGLISH METRIC	ENGLISH METRIC	6.22	0.073	1.85	0.253	6.43	0.237	6.02
76602-X04	ENGLISH METRIC	ENGLISH METRIC	7.37	0.040	1.02	0.298	7.57	0.282	7.16
76602-X05	ENGLISH METRIC	ENGLISH METRIC	7.87	0.040	1.02	0.318	8.08	0.302	7.67
76602-X06	ENGLISH METRIC	ENGLISH METRIC	8.38	0.040	1.02	0.338	8.59	0.322	8.18
76602-X07	ENGLISH METRIC	ENGLISH METRIC	8.51	0.055	1.40	0.343	8.71	0.327	8.31
76602-X08	ENGLISH METRIC	ENGLISH METRIC	7.87	0.090	2.29	0.318	8.08	0.302	7.67
76602-X09	ENGLISH METRIC	ENGLISH METRIC	9.27	0.042	1.07	0.373	9.47	0.357	9.07
76602-X10	ENGLISH METRIC	ENGLISH METRIC	7.87	0.120	3.05	0.318	8.08	0.302	7.67
76602-X11	ENGLISH METRIC	ENGLISH METRIC	9.91	0.040	1.02	0.398	10.11	0.382	9.70
76602-X12	ENGLISH METRIC	ENGLISH METRIC	11.43	0.040	1.02	0.458	11.63	0.442	11.23
76602-X13	ENGLISH METRIC	ENGLISH METRIC	9.27	0.135	3.43	0.373	9.47	0.357	9.07
76602-X14	ENGLISH METRIC	ENGLISH METRIC	11.89	0.042	1.07	0.476	12.09	0.460	11.68
76602-X15	ENGLISH METRIC	ENGLISH METRIC	16.71	0.042	1.07	0.666	16.92	0.650	16.51
76602-X16	ENGLISH METRIC	ENGLISH METRIC	18.29	0.040	1.02	0.728	18.49	0.712	18.08
76602-X17	ENGLISH METRIC	ENGLISH METRIC	6.99	0.275	6.48	0.283	7.19	0.267	6.78
76602-X18	ENGLISH METRIC	ENGLISH METRIC	9.27	0.055	1.40	0.373	9.47	0.357	9.07
76602-X19	ENGLISH METRIC	ENGLISH METRIC	10.24	0.315	8.00	0.411	10.44	0.395	10.03
76602-X20	ENGLISH METRIC	ENGLISH METRIC	15.01	0.315	8.00	0.599	15.21	0.583	14.81
76602-X21	ENGLISH METRIC	ENGLISH METRIC	6.99	0.179	4.55	0.283	7.19	0.267	6.78
76602-X22	ENGLISH METRIC	ENGLISH METRIC	14.86	0.240	6.10	0.593	15.06	0.577	14.66
76602-X23	ENGLISH METRIC	ENGLISH METRIC	13.59	0.045	1.14	0.198	5.03	0.182	4.62
76602-X24	ENGLISH METRIC	ENGLISH METRIC	9.09	0.382	9.70	0.366	9.30	0.350	8.89
76602-X25	ENGLISH METRIC	ENGLISH METRIC	14.86	0.355	9.02	0.593	15.06	0.577	14.66
76602-X26	ENGLISH METRIC	ENGLISH METRIC	17.68	0.696	17.68	0.704	17.88	0.688	17.48
76602-X27	ENGLISH METRIC	ENGLISH METRIC	3.56	0.140	2.54	0.148	3.76	0.132	3.35
76602-X28	ENGLISH METRIC	ENGLISH METRIC	18.16	0.337	8.56	0.223	18.36	0.207	17.96
76602-X29	ENGLISH METRIC	ENGLISH METRIC	0.485	0.715	12.32	0.105	2.67	0.493	12.52
76602-X30	ENGLISH METRIC	ENGLISH METRIC	0.485	0.715	12.32	0.105	2.67	0.493	12.52

mat'l code	SEE NOTE 1	ecn no	dr	date	tolerances unless otherwise specified	ASME Y14.5	projection	product family	PIN PRODUCTS
surface	tolerance	ASME Y14.5	projection	product family	PIN PRODUCTS	title	BERG PIN® .200 [5.08]cc	.041 [1.04] DIA. STAR	.110 [2.79] LONG STAR
angles	0°±.2°	XXXX+0020/XXX+051	scale	1:1	INCH/MM	dwg no	76602	sheet 3 of 4	size
appd	L. FVE	1996-07-29	type	CUSTOMER Drawing	sheet	revision	index	sheet	revision
chf	T. BREWBAKER	1996-07-29	type	CUSTOMER Drawing	sheet	revision	index	sheet	revision
eng	L. FVE	1996-07-29	type	CUSTOMER Drawing	sheet	revision	index	sheet	revision
dr	T. BREWBAKER	1996-07-29	type	CUSTOMER Drawing	sheet	revision	index	sheet	revision



Copyright FCI

PRODUCT NUMBER	CONTACT AREA	TERM. AREA	DIM A	DIM B	DIM B	DIM H FOR .093/2.36 BOARD	DIM H FOR .125/3.18 BOARD	DIM L	DIM L	OVERALL LENGTH
76602-X31	0.585	14.86	0.105	2.67	0.593	15.06	0.577	14.66	0.800	20.32
76602-X32	0.258	6.55	0.052	1.32	0.266	6.76	0.250	6.35	0.420	10.67
76602-X33	0.360	9.14	0.040	1.02	0.368	9.35	0.352	8.94	0.510	12.95
76602-X34	0.430	10.92	0.040	1.02	0.438	11.13	0.422	10.72	0.580	14.73
76602-X35	0.470	11.94	0.460	11.68	0.478	12.14	0.462	11.73	1.040	26.42
76602-X36	0.310	7.87	0.270	6.86	0.318	8.08	0.302	7.67	0.690	17.53
76602-X37	0.408	10.36	0.042	1.07	0.416	10.57	0.400	10.16	0.560	14.22
76602-X38	0.188	4.78	0.042	1.07	0.196	4.98	0.180	4.57	0.340	8.64
76602-X39	0.590	14.99	0.040	1.02	0.598	15.19	0.582	14.78	0.740	18.80
76602-X40	0.248	6.30	0.042	1.07	0.256	6.50	0.240	6.10	0.400	10.16
76602-X41	0.268	6.81	0.142	3.61	0.276	7.01	0.260	6.60	0.520	13.21
76602-X42	0.310	7.87	0.170	4.32	0.318	8.08	0.302	7.67	0.590	14.99
76602-X43	0.268	6.81	0.212	5.38	0.278	7.06	0.262	6.65	0.590	14.99
76602-X44	0.340	8.64	0.130	3.30	0.348	8.84	0.332	8.43	0.580	14.73
76602-X45	0.300	7.62	0.340	8.64	0.308	7.82	0.292	7.42	0.750	19.05
76602-X46	0.300	7.62	0.610	15.49	0.308	7.82	0.292	7.42	1.020	25.91
76602-X47	0.330	8.38	0.370	9.40	0.338	8.59	0.322	8.18	0.810	20.57
76602-X48	0.680	17.27	0.360	9.14	0.688	17.48	0.672	17.07	1.150	29.21
76602-X49	0.560	14.22	0.040	1.02	0.568	14.43	0.552	14.02	0.710	18.03
76602-X50	0.690	17.53	0.040	1.02	0.698	17.73	0.682	17.32	0.840	21.34
76602-X51	0.567	14.40	0.256	6.50	0.575	14.61	0.559	14.20	0.933	23.70
76602-X52	0.360	9.14	0.310	7.87	0.368	9.35	0.352	8.94	0.780	19.81
76602-X53	0.526	13.36	0.526	13.36	0.534	13.56	0.518	13.16	1.162	29.51
76602-X54	0.510	12.95	0.075	1.91	0.518	13.16	0.502	12.75	0.695	17.65
76602-X55	0.705	17.91	0.040	1.02	0.713	18.11	0.697	17.70	0.855	21.72
76602-X56	0.230	5.84	0.235	5.97	0.238	6.05	0.222	5.64	0.575	14.61
76602-X57	0.976	24.79	0.292	7.42	0.984	24.99	0.968	24.59	1.378	35.00

mat'l code	SEE NOTE 1	ecn no	dr	date	tolerances unless otherwise specified	ASME Y14.5	projection	product family	PIN PRODUCTS
v					angles	XX*01/X*3	INCH/MM	title	BERGPIN® .200 [5.08]cc
					0±.2	XXXX*0020/XXX*051	scale		.110 [2.79] LONG STAR
					dr	T. BREWBAKER	1996-07-29	dwg no	sheet 4 of 4 size
					eng	L. FVE	1996-07-29	type	A4
					chr	T. BREWBAKER	1996-07-29		76602
					appd	L. FVE	1996-07-29		CUSTOMER Drawing
sheet	revision								
index									



X-ON Electronics

Largest Supplier of Electrical and Electronic Components

Click to view similar products for [Terminals](#) category:

Click to view products by [Amphenol](#) manufacturer:

Other Similar products are found below :

[HT-13-10](#) [71M-250-32-NB](#) [01-2065-1-0216](#) [00581P0075](#) [M10-10RX](#) [M10BCK](#) [60205-1](#) [604200-1](#) [60598-1-CUT-TAPE](#) [60617-1-C](#) [60873-1](#) [M14-516R/SK](#) [M14-6RSX](#) [M18-10FLX](#) [M18-8FBX](#) [M18-8R/LX](#) [M18BCK](#) [61314-6-C](#) [61-S](#) [61-SN-A](#) [62-NBM-A](#) [63-S](#) [640179-1](#) [640917-2-CUT-TAPE](#) [6501550002](#) [66107-2-C](#) [696683-1](#) [696834-1](#) [696861-1](#) [696931-1](#) [696999-1](#) [M8-516RK](#) [M86700006](#) [MA250DMFMX-A](#) [701-2007](#) [701-2307](#) [701-7761-03](#) [70F-110-32-PB](#) [718-N-A](#) [71M-187-20-NBL](#) [71M-250-32-NBL](#) [72F-187-20-NBL](#) [72M-250-32-NBL](#) [7310](#) [73F-250-32](#) [73F-250-32-NBL](#) [73F-250-32-NL](#) [F14-10C](#) [F-1M](#) [751-250](#)