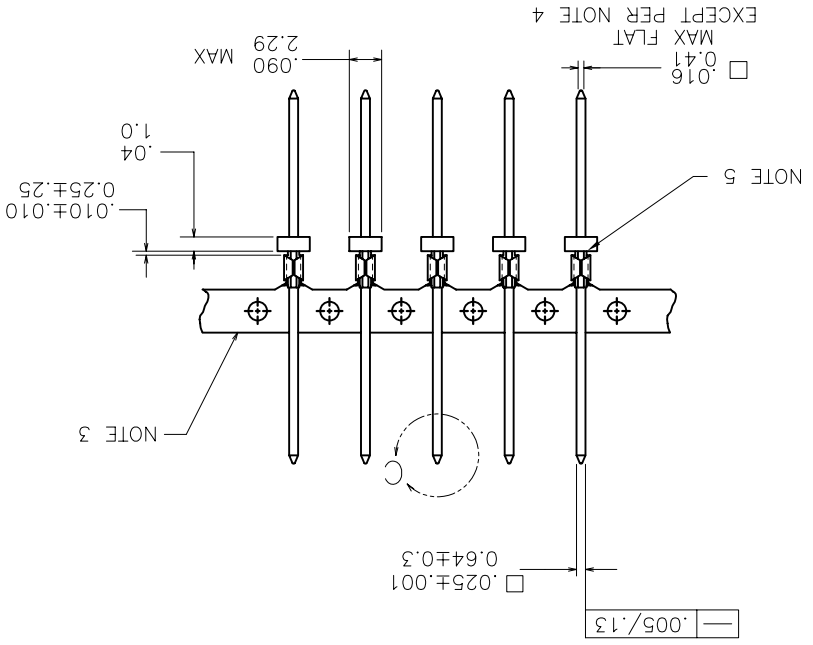
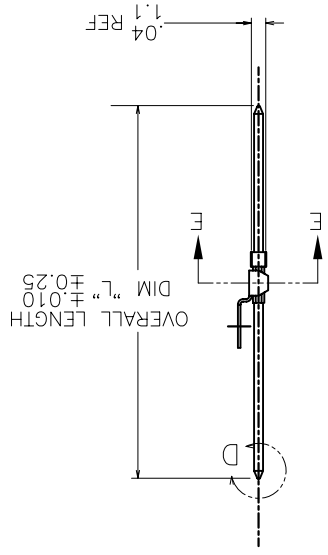
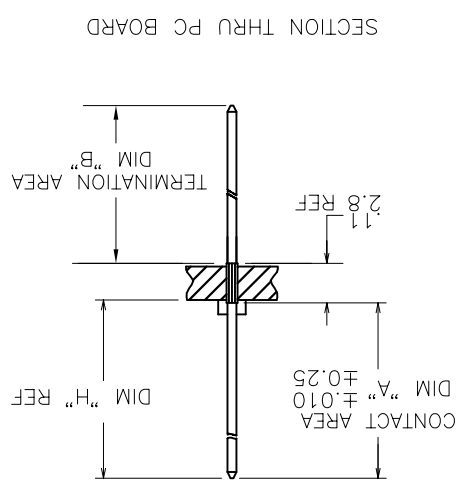
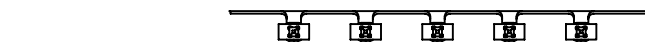


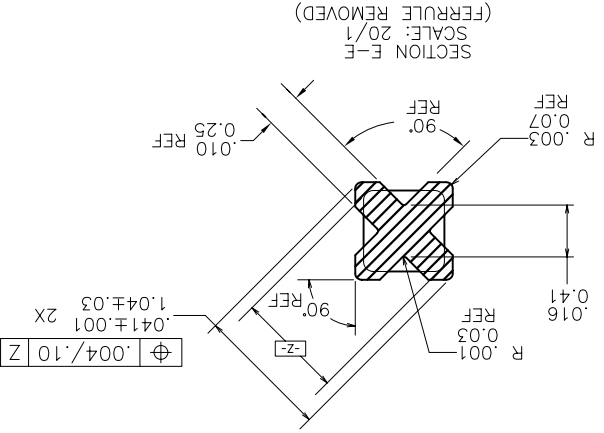
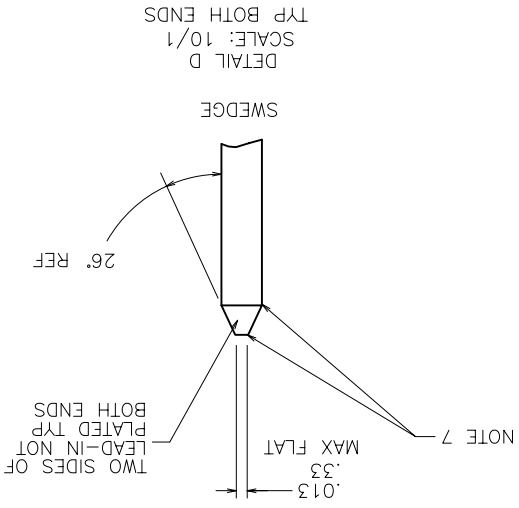
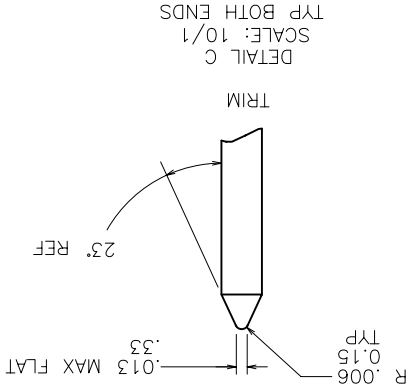
mat'l code	SEE NOTE 1	date	tolerances unless otherwise specified	surface	ASME Y14.5	projection	product family	PIN PRODUCTS
titl	ecn no	dr					title	BERGPIN® .200 [5.08] ec
L	V01594	JRW	2000-07-18	angles	XX*01/X*3	INCH/MM		WITH SOLDER WASHER
M	V02315	LSS	2000-09-18	angles	XXX*005/XX*18	2:1		LONG STAR
N	V06-0682	JRV	2006-07-19	0° ±.2°	XXXX*0020/XXX*051	Scale		0.41 [1.04] DIA., .110 [2.79] LONG STAR
P	V08-0354	HTB	2008-08-26	df	M. CORNMANN	2:1	dwg no	76644
							sheet 1 of 4	A4
							type	CUSTOMER Drawing
sheet	revision	P	P	P	P	P		
index	sheet	1	2	3	4			



PRODUCT NUMBER  
SEE TABLE



PRODUCT NUMBER
SEE TABLE



- NOTES:
- ① PIN MATERIAL: 3/4 HARD PHOS BRONZE  
ASTM B-159-66
  2. SEE PRODUCT SPECIFICATION BUS-12-064 FOR  
P.C. BOARD HOLE DIAMETER AND P.C. BOARD  
PLATING INFORMATION.
  - ③ FOR MANUFACTURING PURPOSES ONLY.
  - ④ DOUBLE ENDED PINS AS MARKED MUST MEET SPECS  
IN VIEWS C AND D ON BOTH ENDS. OTHERS TO  
HAVE .016 [0.41] MAX DIM ON BOTTOM END OF PIN.
  - ⑤ SOLDER MAY BULGE IN THIS AREA BUT WILL  
NOT TOUCH FERRULE.
  - ⑥ "A" DIM. IS TO FEATURE ON PIN.  
"H" DIM. IS ABOVE BOARD.  
"B" DIM. IS TO FEATURE ON PIN.
  - ⑦ BURRISH MARKS ON PIN PERMITTED.  
BURR: .003 [0.08] MAX, BULGE: .0005 [.013] MAX TYP.

mat'l code	surface	tolerance	product family	title	dwg no	type
SEE NOTE 1	tolerances unless otherwise specified	ASME Y14.5	PIN PRODUCTS	BERG PIN® .200 [5.08] [c] .041 [1.04] DIA., .110 [2.79] LONG STAR WITH SOLDER WASHER	76644	CUSTOMER Drawing
tolerances unless otherwise specified	ASME Y14.5	ASME Y14.5		tolerances unless otherwise specified		
angles	angles	angles		angles		
0° ± .2'	XXXX+0020/XXX+051	XXXX+005/XX+.13		XXXX+005/XX+.13		
DR	M. CORNMANN	1991-02-06		1991-02-06		
CHP	S. AURAND	1991-02-06		1991-02-06		
appd	S. AURAND	1991-02-06		1991-02-06		
sheet	revision	sheet		revision	sheet	

PRODUCT NUMBER	CONTACT AREA	TERM. AREA	DIM A	DIM B	DIM C	DIM H FOR BOARD	DIM H FOR BOARD	OVERALL LENGTH	PART NUMBER	PLATING	UNDERPLATING
76644-X01	ENGLISH METRIC	ENGLISH METRIC	ENGLISH METRIC	ENGLISH METRIC	ENGLISH METRIC	ENGLISH METRIC	ENGLISH METRIC	ENGLISH METRIC	30µ" [0.76µ] MIN Au	50µ" [1.27µ] MIN Ni	UNASSIGNED
76644-X02	ENGLISH METRIC	ENGLISH METRIC	ENGLISH METRIC	ENGLISH METRIC	ENGLISH METRIC	ENGLISH METRIC	ENGLISH METRIC	ENGLISH METRIC	50µ" [1.27µ] MIN Au	50µ" [1.27µ] MIN Ni	UNASSIGNED
76644-X03	ENGLISH METRIC	ENGLISH METRIC	ENGLISH METRIC	ENGLISH METRIC	ENGLISH METRIC	ENGLISH METRIC	ENGLISH METRIC	ENGLISH METRIC	120µ" [3.05µ] MIN 93/7 SnPb	50µ" [1.27µ] MIN Ni	UNASSIGNED
76644-X04	ENGLISH METRIC	ENGLISH METRIC	ENGLISH METRIC	ENGLISH METRIC	ENGLISH METRIC	ENGLISH METRIC	ENGLISH METRIC	ENGLISH METRIC	30µ" [0.76µ] MIN GXT™	50µ" [1.27µ] MIN Ni	UNASSIGNED
76644-X05	ENGLISH METRIC	ENGLISH METRIC	ENGLISH METRIC	ENGLISH METRIC	ENGLISH METRIC	ENGLISH METRIC	ENGLISH METRIC	ENGLISH METRIC	15µ" [0.38µ] MIN GXT™	50µ" [1.27µ] MIN Ni	UNASSIGNED
76644-X06	ENGLISH METRIC	ENGLISH METRIC	ENGLISH METRIC	ENGLISH METRIC	ENGLISH METRIC	ENGLISH METRIC	ENGLISH METRIC	ENGLISH METRIC	UNASSIGNED	UNASSIGNED	UNASSIGNED
76644-X07	ENGLISH METRIC	ENGLISH METRIC	ENGLISH METRIC	ENGLISH METRIC	ENGLISH METRIC	ENGLISH METRIC	ENGLISH METRIC	ENGLISH METRIC	UNASSIGNED	UNASSIGNED	UNASSIGNED
76644-X08	ENGLISH METRIC	ENGLISH METRIC	ENGLISH METRIC	ENGLISH METRIC	ENGLISH METRIC	ENGLISH METRIC	ENGLISH METRIC	ENGLISH METRIC	UNASSIGNED	UNASSIGNED	UNASSIGNED
76644-X09	ENGLISH METRIC	ENGLISH METRIC	ENGLISH METRIC	ENGLISH METRIC	ENGLISH METRIC	ENGLISH METRIC	ENGLISH METRIC	ENGLISH METRIC	UNASSIGNED	UNASSIGNED	UNASSIGNED
76644-X10	ENGLISH METRIC	ENGLISH METRIC	ENGLISH METRIC	ENGLISH METRIC	ENGLISH METRIC	ENGLISH METRIC	ENGLISH METRIC	ENGLISH METRIC	UNASSIGNED	UNASSIGNED	UNASSIGNED
76644-X11	ENGLISH METRIC	ENGLISH METRIC	ENGLISH METRIC	ENGLISH METRIC	ENGLISH METRIC	ENGLISH METRIC	ENGLISH METRIC	ENGLISH METRIC	UNASSIGNED	UNASSIGNED	UNASSIGNED
76644-X12	ENGLISH METRIC	ENGLISH METRIC	ENGLISH METRIC	ENGLISH METRIC	ENGLISH METRIC	ENGLISH METRIC	ENGLISH METRIC	ENGLISH METRIC	UNASSIGNED	UNASSIGNED	UNASSIGNED
76644-X13	ENGLISH METRIC	ENGLISH METRIC	ENGLISH METRIC	ENGLISH METRIC	ENGLISH METRIC	ENGLISH METRIC	ENGLISH METRIC	ENGLISH METRIC	UNASSIGNED	UNASSIGNED	UNASSIGNED
76644-X14	ENGLISH METRIC	ENGLISH METRIC	ENGLISH METRIC	ENGLISH METRIC	ENGLISH METRIC	ENGLISH METRIC	ENGLISH METRIC	ENGLISH METRIC	UNASSIGNED	UNASSIGNED	UNASSIGNED
76644-X15	ENGLISH METRIC	ENGLISH METRIC	ENGLISH METRIC	ENGLISH METRIC	ENGLISH METRIC	ENGLISH METRIC	ENGLISH METRIC	ENGLISH METRIC	UNASSIGNED	UNASSIGNED	UNASSIGNED
76644-X16	ENGLISH METRIC	ENGLISH METRIC	ENGLISH METRIC	ENGLISH METRIC	ENGLISH METRIC	ENGLISH METRIC	ENGLISH METRIC	ENGLISH METRIC	UNASSIGNED	UNASSIGNED	UNASSIGNED
76644-X17	ENGLISH METRIC	ENGLISH METRIC	ENGLISH METRIC	ENGLISH METRIC	ENGLISH METRIC	ENGLISH METRIC	ENGLISH METRIC	ENGLISH METRIC	UNASSIGNED	UNASSIGNED	UNASSIGNED
76644-X18	ENGLISH METRIC	ENGLISH METRIC	ENGLISH METRIC	ENGLISH METRIC	ENGLISH METRIC	ENGLISH METRIC	ENGLISH METRIC	ENGLISH METRIC	UNASSIGNED	UNASSIGNED	UNASSIGNED
76644-X19	ENGLISH METRIC	ENGLISH METRIC	ENGLISH METRIC	ENGLISH METRIC	ENGLISH METRIC	ENGLISH METRIC	ENGLISH METRIC	ENGLISH METRIC	UNASSIGNED	UNASSIGNED	UNASSIGNED
76644-X20	ENGLISH METRIC	ENGLISH METRIC	ENGLISH METRIC	ENGLISH METRIC	ENGLISH METRIC	ENGLISH METRIC	ENGLISH METRIC	ENGLISH METRIC	UNASSIGNED	UNASSIGNED	UNASSIGNED
76644-X21	ENGLISH METRIC	ENGLISH METRIC	ENGLISH METRIC	ENGLISH METRIC	ENGLISH METRIC	ENGLISH METRIC	ENGLISH METRIC	ENGLISH METRIC	UNASSIGNED	UNASSIGNED	UNASSIGNED
76644-X22	ENGLISH METRIC	ENGLISH METRIC	ENGLISH METRIC	ENGLISH METRIC	ENGLISH METRIC	ENGLISH METRIC	ENGLISH METRIC	ENGLISH METRIC	UNASSIGNED	UNASSIGNED	UNASSIGNED
76644-X23	ENGLISH METRIC	ENGLISH METRIC	ENGLISH METRIC	ENGLISH METRIC	ENGLISH METRIC	ENGLISH METRIC	ENGLISH METRIC	ENGLISH METRIC	UNASSIGNED	UNASSIGNED	UNASSIGNED
76644-X24	ENGLISH METRIC	ENGLISH METRIC	ENGLISH METRIC	ENGLISH METRIC	ENGLISH METRIC	ENGLISH METRIC	ENGLISH METRIC	ENGLISH METRIC	UNASSIGNED	UNASSIGNED	UNASSIGNED
76644-X25	ENGLISH METRIC	ENGLISH METRIC	ENGLISH METRIC	ENGLISH METRIC	ENGLISH METRIC	ENGLISH METRIC	ENGLISH METRIC	ENGLISH METRIC	UNASSIGNED	UNASSIGNED	UNASSIGNED
76644-X26	ENGLISH METRIC	ENGLISH METRIC	ENGLISH METRIC	ENGLISH METRIC	ENGLISH METRIC	ENGLISH METRIC	ENGLISH METRIC	ENGLISH METRIC	UNASSIGNED	UNASSIGNED	UNASSIGNED
76644-X27	ENGLISH METRIC	ENGLISH METRIC	ENGLISH METRIC	ENGLISH METRIC	ENGLISH METRIC	ENGLISH METRIC	ENGLISH METRIC	ENGLISH METRIC	UNASSIGNED	UNASSIGNED	UNASSIGNED
76644-X28	ENGLISH METRIC	ENGLISH METRIC	ENGLISH METRIC	ENGLISH METRIC	ENGLISH METRIC	ENGLISH METRIC	ENGLISH METRIC	ENGLISH METRIC	UNASSIGNED	UNASSIGNED	UNASSIGNED
76644-X29	ENGLISH METRIC	ENGLISH METRIC	ENGLISH METRIC	ENGLISH METRIC	ENGLISH METRIC	ENGLISH METRIC	ENGLISH METRIC	ENGLISH METRIC	UNASSIGNED	UNASSIGNED	UNASSIGNED
76644-X30	ENGLISH METRIC	ENGLISH METRIC	ENGLISH METRIC	ENGLISH METRIC	ENGLISH METRIC	ENGLISH METRIC	ENGLISH METRIC	ENGLISH METRIC	UNASSIGNED	UNASSIGNED	UNASSIGNED

mat'l code	SEE NOTE 1	ecn no	dr	date	tolerances unless otherwise specified	ASME Y14.5	projection	product family	PIN PRODUCTS	title	BERGPIN® .200" [5.08] [0.04] [1.04] DIA., .110" [2.79] LONG STAR WITH SOLDER WASHER	dwg no	76644	sheet 3 of 4 size A4	type	CUSTOMER Drawing
INCH/MM	XX*01/X*3	angles	0° ±.2'	XXXX*0020/XXX*051	XXXX*005/XX*3	0° ±.2'	scale	1:1	scale	1:1	scale	1:1	scale	1:1	scale	1:1
surface	ASME Y14.5	tolerance	ASME Y14.5	tolerances unless otherwise specified	ASME Y14.5	tolerance	ASME Y14.5	tolerance	ASME Y14.5	tolerance	ASME Y14.5	tolerance	ASME Y14.5	tolerance	ASME Y14.5	tolerance

PRODUCT NUMBER	CONTACT AREA	DIM A	DIM A	DIM B	DIM B	TERM. AREA	DIM H FOR DIM H FOR	DIM H FOR DIM H FOR	OVERALL LENGTH		
	ENGLISH METRIC	ENGLISH METRIC	ENGLISH METRIC	ENGLISH METRIC	ENGLISH METRIC	ENGLISH METRIC	ENGLISH METRIC	ENGLISH METRIC	NOTE 4		
76644-X31	0.585	14.86	0.105	2.67	0.593	15.06	0.577	14.66	0.800	20.32	YES
76644-X32	0.258	6.55	0.052	1.32	0.266	6.76	0.250	6.35	0.420	10.67	—
76644-X33	0.360	9.14	0.040	1.02	0.368	9.35	0.352	8.94	0.510	12.95	—
76644-X34	0.430	10.92	0.040	1.02	0.438	11.13	0.422	10.72	0.580	14.73	—
76644-X35	0.470	11.94	0.460	11.68	0.478	12.14	0.462	11.73	1.040	26.42	YES
76644-X36	0.310	7.87	0.270	6.86	0.318	8.08	0.302	7.67	0.690	17.53	YES
76644-X37	0.408	10.36	0.042	1.07	0.416	10.57	0.400	10.16	0.560	14.22	—
76644-X38	0.188	4.78	0.042	1.07	0.196	4.98	0.180	4.57	0.340	8.64	—
76644-X39	0.590	14.99	0.040	1.02	0.598	15.19	0.582	14.78	0.740	18.80	—
76644-X40	0.248	6.30	0.042	1.07	0.256	6.50	0.240	6.10	0.400	10.16	—
76644-X41	0.268	6.81	0.142	3.61	0.276	7.01	0.260	6.60	0.520	13.21	—
76644-X42	0.310	7.87	0.170	4.32	0.318	8.08	0.302	7.67	0.590	14.99	—
76644-X43	0.268	6.81	0.212	5.38	0.278	7.06	0.262	6.65	0.590	14.99	—
76644-X44	0.340	8.64	0.130	3.30	0.348	8.84	0.332	8.43	0.580	14.73	—
76644-X45	0.300	7.62	0.340	8.64	0.308	7.82	0.292	7.42	0.750	19.05	YES
76644-X46	0.300	7.62	0.610	15.49	0.308	7.82	0.292	7.42	1.020	25.91	YES
76644-X47	0.330	8.38	0.370	9.40	0.338	8.59	0.322	8.18	0.810	20.57	YES
76644-X48	0.680	17.27	0.360	9.14	0.688	17.48	0.672	17.07	1.150	29.21	YES
76644-X49	0.560	55.00	0.040	1.02	0.568	14.43	0.552	14.02	0.710	18.03	—
76644-X50	0.690	17.53	0.040	1.02	0.698	17.73	0.682	17.32	0.840	21.34	—
76644-X51	0.567	14.40	0.256	6.50	0.575	14.61	0.559	14.20	0.933	23.70	YES
76644-X52	0.360	9.14	0.310	7.87	0.368	9.35	0.352	8.94	0.780	19.81	—
76644-X53	0.526	13.36	0.526	13.36	0.534	13.56	0.518	13.16	1.162	29.51	—
76644-X54	0.510	12.95	0.075	1.91	0.518	13.16	0.502	12.75	0.695	17.65	—
76644-X55	0.705	17.91	0.040	1.02	0.713	18.11	0.697	17.70	0.855	21.72	—
76644-X56	0.230	5.84	0.235	5.97	0.238	6.05	0.222	5.64	0.575	14.61	—
76644-X57	0.976	24.79	0.292	7.42	0.984	24.99	0.968	24.59	1.378	35.00	—
76644-X58	0.515	13.08	0.040	1.02	0.523	13.28	0.507	12.88	0.665	16.89	—

mat'l code	SEE NOTE 1	ecn no	dr	date	tolerances unless otherwise specified	ASME Y14.5	projection	product family	PIN PRODUCTS		
surface	tolerance	ASME Y14.5	projection	product family	PIN PRODUCTS	title	BERG PIN® .200 [5.08]c	WITH SOLDER WASHER	0.041 [1.04] DIA., .110 [2.79] LONG STAR		
angles	XX+01/X+3	INCH/MM	scale	1:1	dwg no	76644	sheet 4 of 4	A4	CUSTOMER Drawing		
dr	T. BREWBAKER	1996-07-29	engr	L. FVE	1996-07-29	chf	T. BREWBAKER	1996-07-29	appd	L. FVE	1996-07-29
sheet	revision	sheet	index	sheet	revision	sheet	index	sheet	revision	sheet	index



## X-ON Electronics

Largest Supplier of Electrical and Electronic Components

*Click to view similar products for [Terminals](#) category:*

*Click to view products by [Amphenol](#) manufacturer:*

Other Similar products are found below :

[HT-13-10](#) [71M-250-32-NB](#) [01-2065-1-0216](#) [00581P0075](#) [M10-10RX](#) [M10BCK](#) [60205-1](#) [604200-1](#) [60598-1-CUT-TAPE](#) [60617-1-C](#) [60873-1](#) [M14-516R/SK](#) [M14-6RSX](#) [M18-10FLX](#) [M18-8FBX](#) [M18-8R/LX](#) [M18BCK](#) [61314-6-C](#) [61-S](#) [61-SN-A](#) [62-NBM-A](#) [63-S](#) [640179-1](#) [640917-2-CUT-TAPE](#) [6501550002](#) [66107-2-C](#) [696683-1](#) [696834-1](#) [696861-1](#) [696931-1](#) [696999-1](#) [M8-516RK](#) [M86700006](#) [MA250DMFMX-A](#) [701-2007](#) [701-2307](#) [701-7761-03](#) [70F-110-32-PB](#) [718-N-A](#) [71M-187-20-NBL](#) [71M-250-32-NBL](#) [72F-187-20-NBL](#) [72M-250-32-NBL](#) [7310](#) [73F-250-32](#) [73F-250-32-NBL](#) [73F-250-32-NL](#) [F14-10C](#) [F-1M](#) [751-250](#)