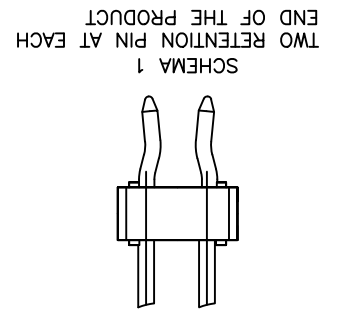
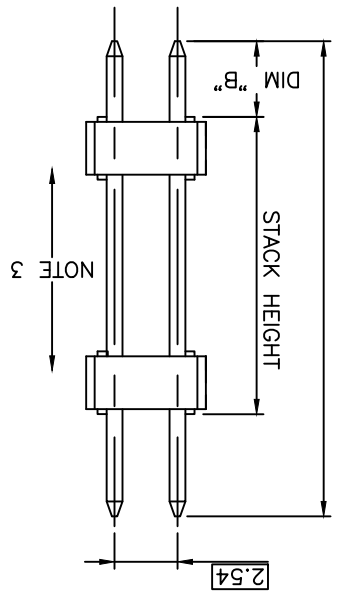
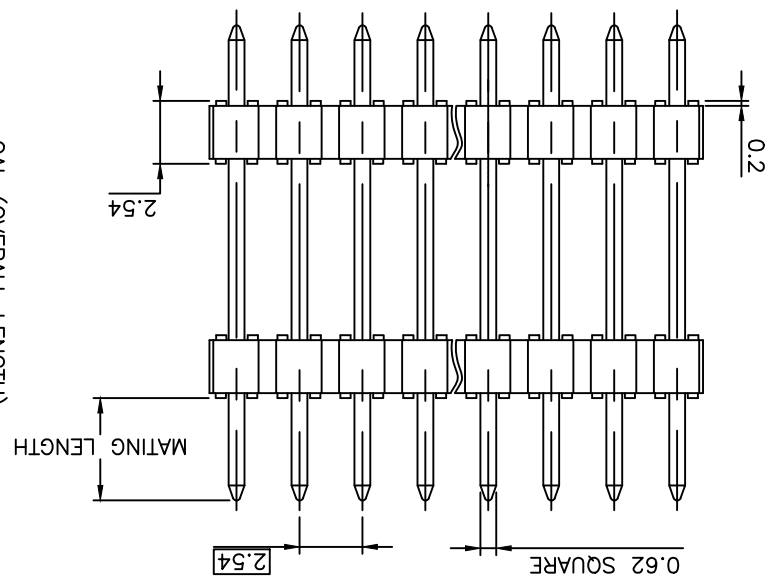
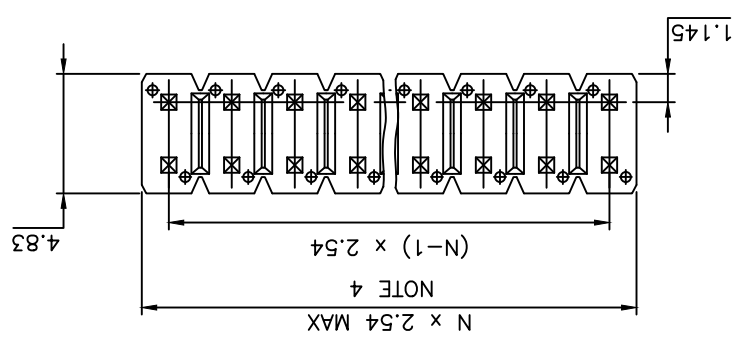
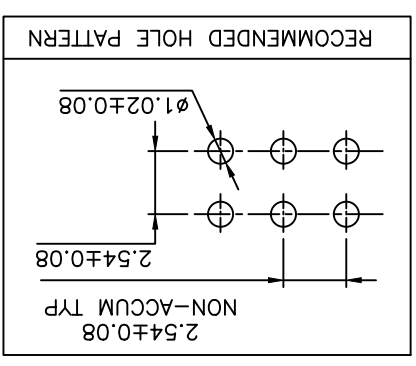


NOTES:

1. HOUSING MAT'L: HIGH TEMPERATURE THERMOPLASTIC, UL94V-0 COLOR: BLACK.
2. PIN MATERIAL: PHOSPHOR BRONZE.
3. 12N MIN RETENTION IN EITHER DIRECTION.
4. TO DETERMINE DIMENSIONS:
 - N = NUMBER OF POSITIONS PER ROW
 - EXAMPLE: 8 POS PER ROW, N x 2.54 = 20.32mm
5. FOR STANDARD SELECTIVE GOLD PLATED PRODUCTS SEE DRAWINGS 54111 & 54121.
6. OPTION LETTER:
 - = STANDARD PACKAGING IN POLYBAG
 - V = POLYBAGS PACKAGING FOR CUSTOMER DEDICATED PART
 - B = TUBE WITH PICK UP CAP AS AVAILABLE
7. RETENTION IS APPLIED TO TWO ADJACENT PINS AT EACH END OF THE PRODUCT SEE SCHEMA 1 OMIT FROM PRODUCT NUMBER IF THIS FEATURE IS NOT APPLICABLE
8. ROHS COMPATIBLE PRODUCT SPECIFICATIONS

- a - PLATING:
- "LF" MEANS THE PRODUCT IS LEAD-FREE, 2µm MINIMUM MATTE TIN OVER 1.27µm MINIMUM NICKEL UNDERPLATE.
- MANUFACTURING PROCESS COMPATIBILITY
- THE HOUSING WILL WITHSTAND EXPOSURE TO 260°C ±5°C SOLDER BATH TEMPERATURE FOR WITH A 1.6mm MIN THICK CIRCUIT BOARD.
- c - LABELING:
- MEETS PACKAGING SPECS AS PER GS-14-920
- d - LEGAL STATEMENT: SEE GS-47-0004



mat'l. code		ISO 1302	surface tolerance	ISO 406 ISO 1101	projection	product family	BSTIK
SEE NOTES		ISO 1302	tolerances unless otherwise specified	ISO 406 ISO 1101	projection	title	HEADER STR, DR
lfr	ecn no	dr	date	tolerances unless otherwise specified	projection	product family	BSTIK
FG	B-19782	AMA	14.12.18	linear	mm	scale	5:1
FG	B-20322	AMA	15.01.27	angles	mm	scale	5:1
FH	F-22479	BVE	15.11.12	linear	mm	scale	5:1
FK	F-28617	DDE	17.11.27	linear	mm	scale	5:1
FK	F-28617	DDE	17.11.27	dr	NIZI P	engr	COMPAGNON
FD	B-19264	LMU	14.11.03	dr	NIZI P	engr	COMPAGNON
FE	B-19345	LMU	14.11.07	appd	JMC	95.12.05	
sheet	revision	FK	CC	F	A	95.12.05	
index	sheet	1	2	3	4		

dwg no	76745	sheet 1 of 4	size	A3
type	CUSTOMER	Drawing		



FCJconnect.com

Copyright FCJ

Form A3

APPLICATION SPECIFIC			
PIN STYLE	MATING STACK HEIGHT ±0.25	"B" STACK HEIGHT ±0.25	"(OAL)" REF
01	8.71	19.76	2.65
02	6.87	16.5	3.05
03	6.87	13.0	3.63
04	5.6	6.5	2.88
05	5.51	8.0	3.05
06	6.61	11.3	3.05
07	5.58	10.3	2.54
08	5.81	7.7	3.05
09	5.72	5.08	2.54
10	6.9	10.45	2.71
11	11.2	9.5	2.8
13	9.07	6.3	3.05
14	5.33	2.15	2.48
17	7.5	23.45	3.05
19	9.5	10.45	3.55
21	11.96	18.5	3.2
23	9.0	25.9	3.05
24	8.87	14.5	3.05
25	9.84	11.43	9.85
28	6.6	8.25	2.8
29	9.1	15.7	3.2
34	8.0	12.0	3.0
36	10.53	7.5	10.53
40	7.0	6.5	3.06
55	13.0	20.0	3.2
57	11.78	5.08	3.23
58	23.0	8.5	5.5
59	9.0	18.2	9.0
62	9.2	9.3	3.5
68	6.75	8.0	2.9
71	6.8	5.2	2.69
79	9.95	39.0	3.05
80	5.68	7.0	2.3
88	10.8	8.0	3.7
AN	10.0	29.0	3.0
BD	11.7	13.5	3.21
BM	11.5	11.5	3.04
BT	8.5	35.0	8.5
CB	9.0	30.0	3.0
CD	9.24	12.0	9.24
30.48			30.48

SEE SHEET 3

APPLICATION SPECIFIC			
PIN STYLE	MATING STACK HEIGHT ±0.25	"B" STACK HEIGHT ±0.25	"(OAL)" REF
CF	8.25	16.0	8.25
CG	6.0	40.0	6.0
CH	11.02	12.0	3.02
CN	7.08	5.60	7.08
CP	9.50	7.00	2.41
CT	11.0	6.0	11.0
CU	9.75	13.0	9.75
CV	9.44	13.00	3.60
CW	5.00	36.00	5.00
CX	10.00	26.00	6.00
CY	10.9	18.20	10.9
CZ	5.5	23.00	5.50
DA	13.00	14.50	6.50
DB	12.75	8.50	12.75
DC			
DE	6.00	34.00	6.00
DF	9.12	7.80	9.12
DG	3.50	43.00	3.50
DH	6.50	8.00	6.50
DJ	5.80	17.75	5.80
DK	5.40	9.00	2.90
DL	9.00	8.50	6.00
DM	7.40	23.70	3.30
DN	7.40	12.10	3.30
DP	8.00	16.80	5.40
DR	6.40	15.00	6.40
DS	7.00	29.00	7.00
DT	9.80	27.40	9.80
DU	9.50	36.50	9.50
DV	9.30	6.30	5.80
DW	5.30	40.40	3.30
49.00			49.00

SEE SHEET 3

SEE SHEET 3

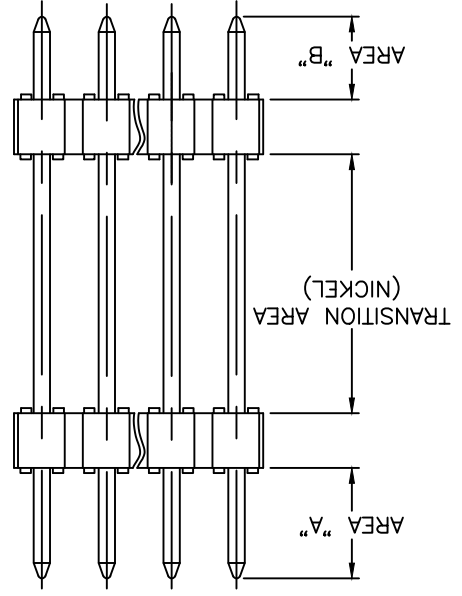
SEE SHEET 3

APPLICATION SPECIFIC			
PIN STYLE	MATING STACK HEIGHT ±0.25	"B" STACK HEIGHT ±0.25	"(OAL)" REF
DX	6.50	12.50	6.50
DY	6.50	9.50	6.50
EA	6.65	32.30	3.05
EB	2.66	15.00	5.84
EC	10.00	39.60	2.40
ED	5.40	57.20	2.40
EE	5.84	46.50	3.05
EG	5.60	20.00	5.64
EH	4.60	15.00	1.50
EJ	9.26	5.08	9.26
EK	6.00	7.50	6.00
EL	6.00	12.30	4.10
EM	9.00	9.30	6.21
EN	5.75	26.90	5.75
38.40			38.40

mat'l. code	ISO 1302	ISO 406 ISO 1101	surface tolerance	projection	product family	BSTIK
lfr	ecn no	dr	date	tolerances unless otherwise specified	title	HEADER STR, DR
CB	B-20322	AMA	15.01.27	linear	mm	mm
CC	F-28617	DDE	17.11.27	angles	mm	mm
BW	F11-0043	LMU	11.04.04	dr	COMPAGNON	J 94.05.05
BX	F12-0090	JFA	12.12.07	engr	JMC	95.08.28
BY	B-16665	LMU	14.01.06	chr		
CA	B-1345	LMU	14.11.07	appd	JMC	95.08.28
sheet revision	sheet	index	sheet			

dwg no 76745 sheet 2 of 4 size A3
type CUSTOMER Drawing

6 5 4 3 2 1 6 5 4 3 2 1



SPECIFICS PLATING AREA FOR PART NUMBERS :

P/N 76745-1CH-10LF
P/N 76745-1CH-18LF
P/N 76745-579R24LF
P/N 76745-579R30LF
P/N 76745-1CU-20LF
P/N 76745-1DF-26LF

AREA "A" & "B" : GOLD/GXT PLATING AREA

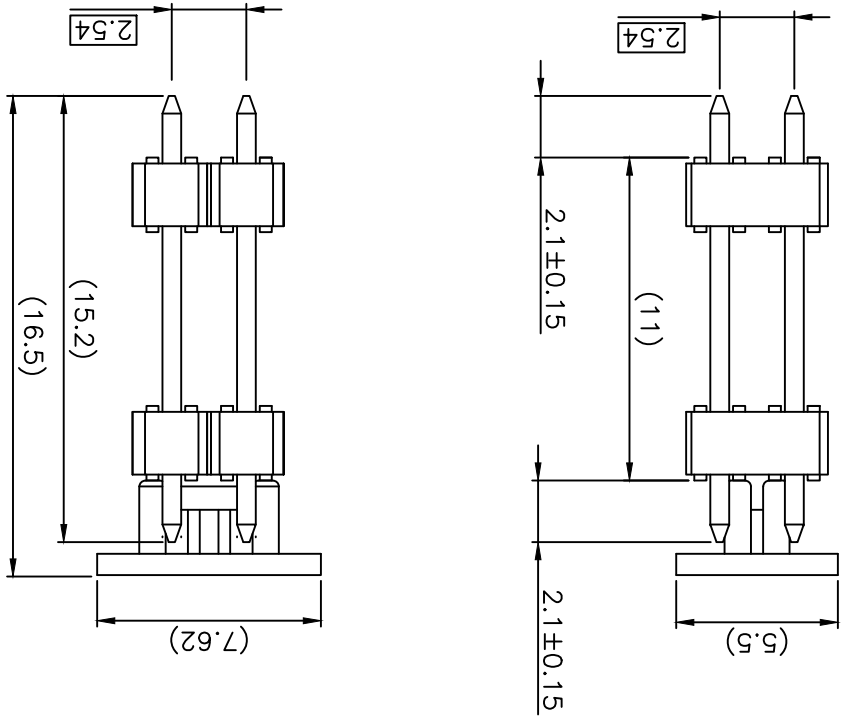
mat'l. code		surface	tolerance	ISO 1302	ISO 406	ISO 1101	projection	product family	BSTIK
litr	ecn no	dr	date	tolerances unless otherwise specified			projection	title	
A	F06-110	LMU	06.01.26	angles	linear	mm	mm	HEADER STR, DR	
B	F06-0196	LMU	06.06.20	angles	linear	mm	mm	DOUBLE BODY	
C	F07-0266	JCO	07.10.15	scale					
D	F12-0023	LMU	12.06.06	dr	L.MULN	06.01.31	sheet 3 of 4 size		
E	F12-0090	JFA	12.12.07	engr	J.COMPAIGNON	06.01.31	dwg no 76745		
F	B-16665	LMU	14.01.06	chr	JMC	06.01.31	type CUSTOMER		
sheet		revision	sheet	index					

6 5 4 3 2 1 6 5 4 3 2 1

- NOTES :
1. PACKAGING : A = TAPE & REEL PACKAGING
WITH PICK UP CAP INSTALLED
SEE TA 840
 2. PRODUCT COMPATIBLE WITH REFLOW PROCESS.
255°C PEAK TEMPERATURE 10-40 SECONDS IN
A CONVECTION, INFRA-RED OR VAPOR PHASE

SPECIFIC PRODUCT NUMBER
76745-3DCA04LF

- RoHS COMPLIANT
- TOTAL NB OF POS
- PACKAGING TYPE, SEE NOTE 1
- PIN STYLE
- PLATING
- 3 = 2µm MATTE TIN
OVER 1.27µm Ni MIN



mat'l. code	ISO 1302	ISO 406 ISO 1101	projection	product family	BSTIK
surface tolerance	ISO 1302	ISO 406 ISO 1101	tolerances unless otherwise specified	title	HEADER STR, DR
angles	linear	mm	scale	product family	BSTIK
dr	L.MULIN	13.02.18	engr	J.COMPAIGNON	13.02.18
chr			appd	JMC	13.02.18
revision			sheet		
index			sheet		

6	5	4	3	2	1
6	5	4	3	2	1

X-ON Electronics

Largest Supplier of Electrical and Electronic Components

Click to view similar products for [Headers & Wire Housings](#) category:

Click to view products by [Amphenol](#) manufacturer:

Other Similar products are found below :

[95000-104TRLF](#) [10135584-644402LF](#) [DF62W-EP2022PCA](#) [95000-106TRLF](#) [DF62W-2022SCA](#) [DF62W-EP2022PC](#) [2203348](#) [DF62W-2022SC](#) [1084018](#) [1029039](#) [1084017](#) [802-10-012-10-002000](#) [1112640](#) [1112639](#) [000-34000](#) [0009482033](#) [0009507031](#) [57102-S06-03LF](#) [57202-S52-04LF](#) [PCN6-15S-2.5E](#) [0039019024](#) [58102-G61-06LF](#) [582553-1](#) [0009485154](#) [0009508121](#) [0022285053](#) [0050291907](#) [018731A](#) [LY20-4P-DT1-P1E-BR](#) [02.125.8002.8](#) [60101931](#) [60598-1 \(Cut Strip\)](#) [M1625-3R/100](#) [61062-3](#) [61082-181009](#) [636-1427](#) [638009-1](#) [641938-9](#) [641991-4](#) [644168-1](#) [647662-1](#) [65039-019ELF](#) [65817-002LF](#) [65817-015LF](#) [65863-015LF](#) [66207-023LF](#) [67016-026LF](#) [67046-001LF](#) [67095-007LF](#) [67230-005LF](#)