

PRODUCT NUMBER  
SEE TABLE

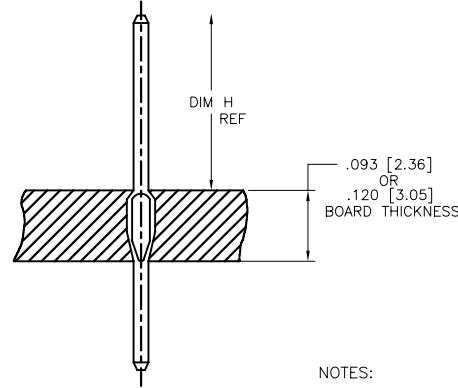
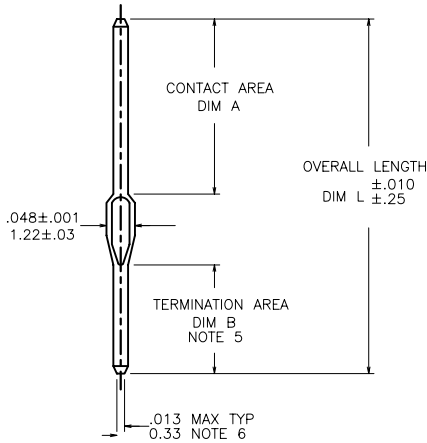
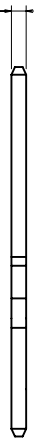
TWO OPPOSITE SIDES  
OF LEAD IN NOT  
PLATED. BOTH ENDS.



VIEW Z-Z  
SCALE 5:1

Z Z

□ .025±.001  
0.64±.03



PIN INSERTED  
IN BOARD  
N.T.S.

NOTES:

- ① PIN MATERIAL : PHOS BRONZE 3/4 HARD  
ASTM B-159-66
2. BURNISH MARKS ON PINS PERMITTED.
3. P.C. BOARD HOLE SIZE .040+.003,-.000  
1.02+0.08,-0.00  
RECOMMENDED DRILLED HOLE SIZE  
.0453±.0010/1.151±.025 WITH CU PLTG.  
THK. .001/0.03 MIN .002/0.05 MAX  
AND SnPb THK. .0004/0.010 MIN.  
IT IS SUGGESTED THAT LUBE BE APPLIED  
TO PINS WITH TIN PLATING BEFORE INSERTION.
4. .003/0.08 R MAX TYP. 4 PL ON WIRE  
WRAP PORTION OF PIN.
- ⑤ IF DIM B IS .235/5.97 OR LESS THE  
MAX FLAT MAY BE .016/0.41.
- ⑥ REFER TO BUS-24-001 FOR SUPERTIP DESIGN.
- ⑦ ADD AN LF SUFFIX TO PART NUMBER FOR PRODUCT  
THAT MEETS EUROPEAN UNION DIRECTIVES AND OTHER  
COUNTRY REGULATIONS AS DESCRIBED IN GS-22-008.
- ⑧ THIS PRODUCT HAS 100% TIN PLATING IN THE  
INTERFACE AND HAS NOT BEEN TESTED FOR WHISKER  
GROWTH IN ALL INTERCONNECT ENVIRONMENTS.

mat'l. code				surface		tolerance		projection		product family	
NOTE 1				ASME Y14.5		ASME Y14.5		INCH/MM		PIN PRODUCTS	
ltr	ecp no	dr	date	tolerances unless otherwise specified							
K	V61026	EPK	1996-07-18	angles	XX +.01/X+3		INCH/MM		title		
L	V71499	HTB	1997-10-31	fin	XXX +.005/XX+13		scale 4:1		COMPLIANT PRESS FIT PIN LOOSE PIECE		
M	V90093	SAR	1999-01-25	0° ±2'	XXXX +.0020/XXX+.051				dwg no		
N	V01594	JRW	2000-07-13	dr	M. CLOUSER	1991-04-12	FCI		sheet 1 of 3 size		
P	V05-0416	HTB	2005-05-03	engr	S. AURAND	1991-04-12			76828 A4		
R	V06-0684	HTB	2006-07-25	chr	S. AURAND	1991-04-12			type		
S	V07-0516	HTB	2007-08-08	appd	S. AURAND	1991-04-12			CUSTOMER Drawing		
sheet	revision	S	S	S							
index	sheet	1	2	3							



PRODUCT NUMBER NOTE 7	CONTACT AREA DIM A	TERMINATION AREA DIM B	DIM H .093/2.36 TO .125/3.18 BD	OVERALL LENGTH DIM L
76828-X01	.205/5.21	.050/1.27	.195/4.95	.375/9.53
76828-X02	.230/5.84	.045/1.14	.220/5.59	.395/10.03
76828-X03	.260/6.60	.050/1.27	.250/6.35	.430/10.92
76828-X04	.320/8.13	.045/1.14	.310/7.87	.485/12.32
76828-X05	.320/8.13	.215/5.46	.310/7.87	.655/16.64
76828-X06	.330/8.38	.280/7.11	.320/8.13	.730/18.54
76828-X07	.345/8.76	.045/1.14	.335/8.51	.510/12.95
76828-X08	.345/8.76	.230/5.84	.335/8.51	.695/17.65
76828-X09	.345/8.76	.315/8.00	.335/8.51	.780/19.81
76828-X10	.345/8.76	.345/8.76	.335/8.51	.810/20.57
76828-X11	.390/9.91	.050/1.27	.380/9.65	.560/14.22
76828-X12	.390/9.91	.390/9.91	.380/9.65	.900/22.86
76828-X13	.420/10.67	.045/1.14	.410/10.41	.585/14.86
76828-X14	.425/10.80	.080/2.03	.415/10.54	.625/15.88
76828-X15	.425/10.80	.310/7.87	.415/10.54	.855/21.72
76828-X16	.500/12.70	.055/1.40	.490/12.45	.675/17.15
76828-X17	.505/12.83	.330/8.38	.495/12.57	.955/24.26
76828-X18	.540/13.72	.410/10.41	.530/13.46	1.070/27.18
76828-X19	.545/13.84	.050/1.27	.535/13.59	.715/18.16
76828-X20	.555/14.10	.390/9.91	.545/13.84	1.065/27.05
76828-X21	.595/15.11	.330/8.38	.585/14.86	1.045/26.54
76828-X22	.600/15.24	.050/1.27	.590/14.99	.770/19.56
76828-X23	.635/16.13	.045/1.14	.625/15.88	.800/20.32
76828-X24	.635/16.13	.230/5.84	.625/15.88	.985/25.02
76828-X25	.635/16.13	.315/8.00	.625/15.88	1.070/27.18
76828-X26	.635/16.13	.345/8.76	.625/15.88	1.100/27.94
76828-X27	.635/16.13	.390/9.91	.625/15.88	1.145/29.08
76828-X28	.635/16.13	.635/16.13	.625/15.88	1.390/35.31
76828-X29	.690/17.53	.045/1.14	.680/17.27	.855/21.72
76828-X30	.720/18.29	.390/9.91	.710/18.03	1.230/31.24
76828-X31	.720/18.29	.720/18.29	.710/18.03	1.560/39.62
76828-X32	.730/18.54	.050/1.27	.720/18.29	.900/22.86
76828-X33	.315/8.00	.110/2.79	.305/7.75	.545/13.84
76828-X34	.560/14.22	.320/8.13	.550/13.97	1.000/25.40
76828-X35	.360/9.14	.320/8.13	.350/8.89	.800/20.32

PRODUCT NUMBER NOTE 7	PLATING	UNDERPLATING	
76828-1YY	30μ"/.76μ MIN Au	50μ"/1.27μ MIN Ni	
76828-1YYLF			
76828-3YY	50μ"/1.27μ MIN Au	50μ"/1.27μ MIN Ni	
76828-3YYLF			
76828-4YY	<del>120μ"/3.05μ MIN 93/7 SnPb</del>	<del>50μ"/1.27μ MIN Ni</del>	DISCONTINUED
76828-4YYLF	100μ"/2.54μ MIN Sn (NOTE 8)	50μ"/1.27μ MIN Ni	
76828-5YY	30μ"/.76μ MIN GXT™	50μ"/1.27μ MIN Ni	
76828-5YYLF			
76828-6YY	15μ"/.38μ MIN GXT™	50μ"/1.27μ MIN Ni	
76828-6YYLF			
76828-9YY	15μ"/.38μ MIN Au	50μ"/1.27μ MIN Ni	
76828-9YYLF			

A

A

B

B

mat'l. code		surface		tolerance		projection		product family	
NOTE 1		ASME Y14.5		ASME Y14.5				PIN PRODUCTS	
ltr	ecn no	dr	date	tolerances unless otherwise specified				title	
s				angles				COMPLIANT PRESS FIT PIN LOOSE PIECE	
				0° ±2'	XX +01/X+3	XXX +005/XX+13	INCH/MM	scale 3:1	
					XXXX +0020/XXX+051			dwg no	
				dr	M. CLOUSER	1991-04-12		sheet 2 of 3 size	
				engr	S. AURAND	1991-04-12		76828 A4	
				chr	S. AURAND	1991-04-12		type CUSTOMER Drawing	
				appd	S. AURAND	1991-04-12			
sheet index	revision sheet								



PRODUCT NUMBER NOTE 7	CONTACT AREA DIM A	TERMINATION AREA DIM B	DIM H .093/2.36 TO .125/3.18 BD	OVERALL LENGTH DIM L
76828-X36	.450/11.43	.340/8.64	.440/11.18	.910/23.11
76828-X37	.575/14.61	.045/1.14	.565/14.35	.740/18.80
76828-X38	.445/11.30	.585/14.86	.435/11.05	1.150/29.21
76828-X39	UNASSIGNED			
76828-X40	.225/5.72	.180/4.57	.215/5.46	.525/13.34
76828-X41	.530/13.46	.270/6.86	.520/13.21	.920/23.37
76828-X42	.445/11.30	.390/9.91	.435/11.05	.955/24.26
76828-X43	.550/13.97	.620/15.75	.540/13.72	1.290/32.77
76828-X44	.595/15.11	.545/13.84	.585/14.86	1.260/32.00
76828-X45	.250/6.35	.560/14.22	.240/6.10	.930/23.62
76828-X46	.290/7.37	.395/10.03	.280/7.11	.805/20.45
76828-X47	UNASSIGNED			
76828-X48	.320/8.13	.560/14.22	.310/7.87	1.000/25.40
76828-X49	.230/5.84	.365/9.27	.220/5.59	.715/18.16
76828-X50	.417/10.59	.363/9.22	.407/10.34	.900/22.86
76828-X51	.523/13.28	.543/13.79	.513/13.03	1.186/30.12
76828-X52	.415/10.54	.585/14.86	.405/10.29	1.120/28.45
76828-X53	.570/14.48	.045/1.14	.560/14.22	.735/18.67
76828-X54	.325/8.26	.585/14.86	.315/8.00	1.030/26.16
76828-X55	.415/10.54	.065/1.65	.405/10.29	.600/15.24
76828-X56	.520/13.21	.045/1.14	.510/12.95	.685/17.40
76828-X57	.615/15.62	.055/1.40	.605/15.37	.790/20.70
76828-X58	.417/10.59	.460/11.68	.407/10.34	.997/25.32
76828-X59	.455/11.56	.045/1.14	.445/11.30	.620/15.75
76828-X60	.225/5.72	.360/9.14	.215/5.46	.705/17.91
76828-X61	.650/16.51	.395/10.03	.640/16.26	1.165/29.59
76828-X62	.360/9.14	.050/1.27	.350/8.89	.530/13.46
76828-X63	.505/12.83	.505/12.83	.495/12.57	1.130/28.70
76828-X64	.665/16.89	.380/9.65	.655/16.64	1.165/29.59
76828-X65	.245/6.22	.340/8.64	.235/5.97	.705/17.91

mat'l. code		surface		tolerance		projection		product family	
NOTE 1		ASME Y14.5		ASME Y14.5				PIN PRODUCTS	
ltr	ecn no	dr	date	tolerances unless otherwise specified				title	
s				angles	fin	XX +.01/X+3	INCH/MM		COMPLIANT PRESS FIT PIN LOOSE PIECE
				0° ±2'	XXX +.005/XX+13	scale 3:1			
						XXXX +.0020/XXX+.051			dwg no
				dr	M. CLOUSER	1991-04-12			sheet 3 of 3
				engr	S. AURAND	1991-04-12			76828
				chr	S. AURAND	1991-04-12			A4
				appd	S. AURAND	1991-04-12			type
sheet index	revision sheet								CUSTOMER Drawing

## X-ON Electronics

Largest Supplier of Electrical and Electronic Components

*Click to view similar products for [Terminals](#) category:*

*Click to view products by [Amphenol](#) manufacturer:*

Other Similar products are found below :

[00-054007-01074-6](#) [00-054007-70206-1](#) [00-054007-70210-8](#) [00-054007-70217-7](#) [00-054007-70226-9](#) [00-054007-70228-3](#) [00-054007-70248-1](#) [00-054007-70256-6](#) [00-054007-70301-3](#) [00-054007-70316-7](#) [00-054007-49560-4](#) [00-054007-70209-2](#) [00-054007-70225-2](#) [00-054007-70227-6](#) [00-054007-70231-3](#) [00-054007-70241-2](#) [00-054007-70242-9](#) [00-054007-70244-3](#) [00-054007-70246-7](#) [00-054007-70263-4](#) [00-054007-70288-7](#) [00-054007-70290-0](#) [00-054007-70300-6](#) [00-054007-70304-4](#) [01-2065-1-0216](#) [01-2900-1-04412](#) [00581P0075](#) [600TS-10](#) [60205-1](#) [604200-1](#) [605601-1](#) [60598-1-CUT-TAPE](#) [61314-6-C](#) [61810-3](#) [61-S](#) [62149-1](#) [626-0194](#) [62-NBM-A](#) [62-SN](#) [62-SP](#) [640179-1](#) [M55155/059I03](#) [M55155/079C01](#) [M55155/099H02](#) [M55155/109H01](#) [M55155/109H02](#) [M55155/12XH05](#) [M55155/16XH02](#) [M55155/29-5S](#) [M55155/29XJ08](#)