

LEAD FREE CATALOGUE NUMBER

7712P0225A25LF

7312P0225A13LF



NOTES:

DESCRIPTION

Connector especially designed for SMT technology
EMV compatible and in accordance with ISO 7816-2

MECHANICAL

Contacts force : between 0.2N-0.5N
Durability : 100000 cycles
Insertion force : 10 N max
Extraction force : 1 N min

ELECTRICAL

Insulation resistance : 1000MOhms
Dielectric withstand voltage between card contacts and detection switch : 1000 Vrms
contact resistance:100 miliohms
Current carrying : min 10 micro A max 1A

SWITCH

Contact closed : contact resistance 100mOhms
Open contact : voltage proof 300Vms

MATERIAL

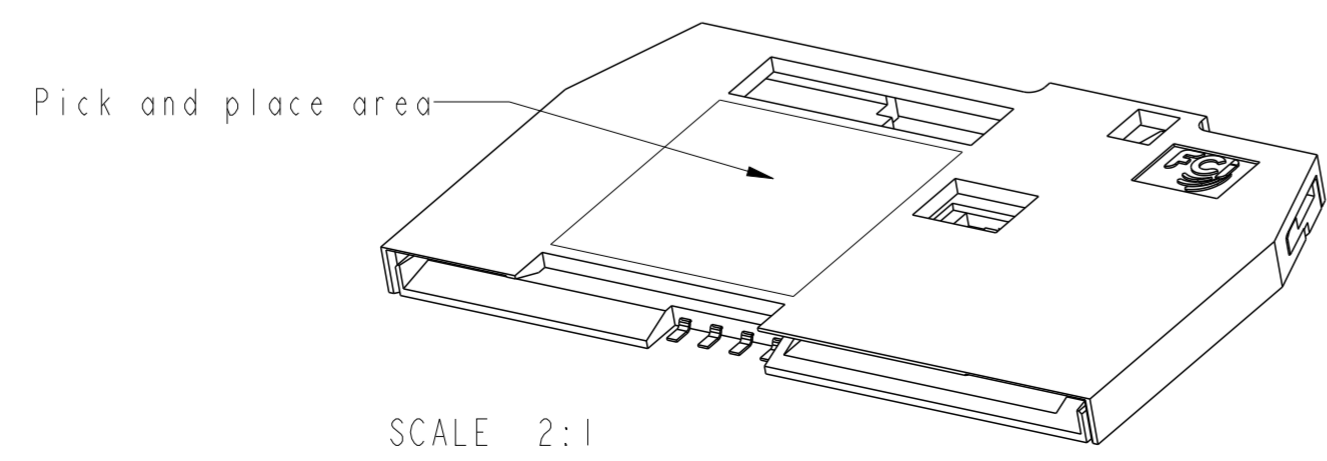
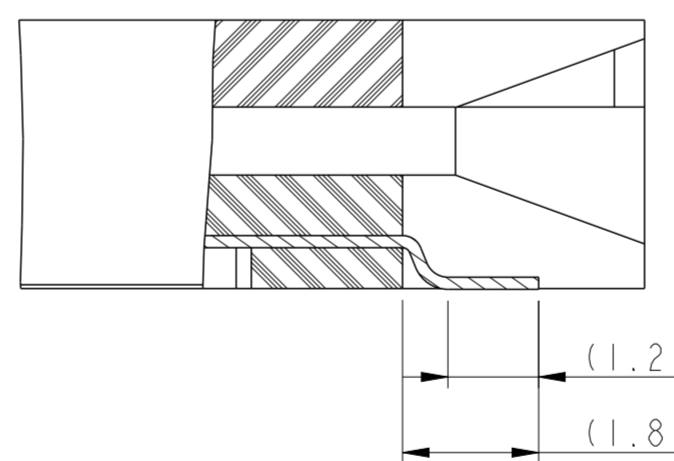
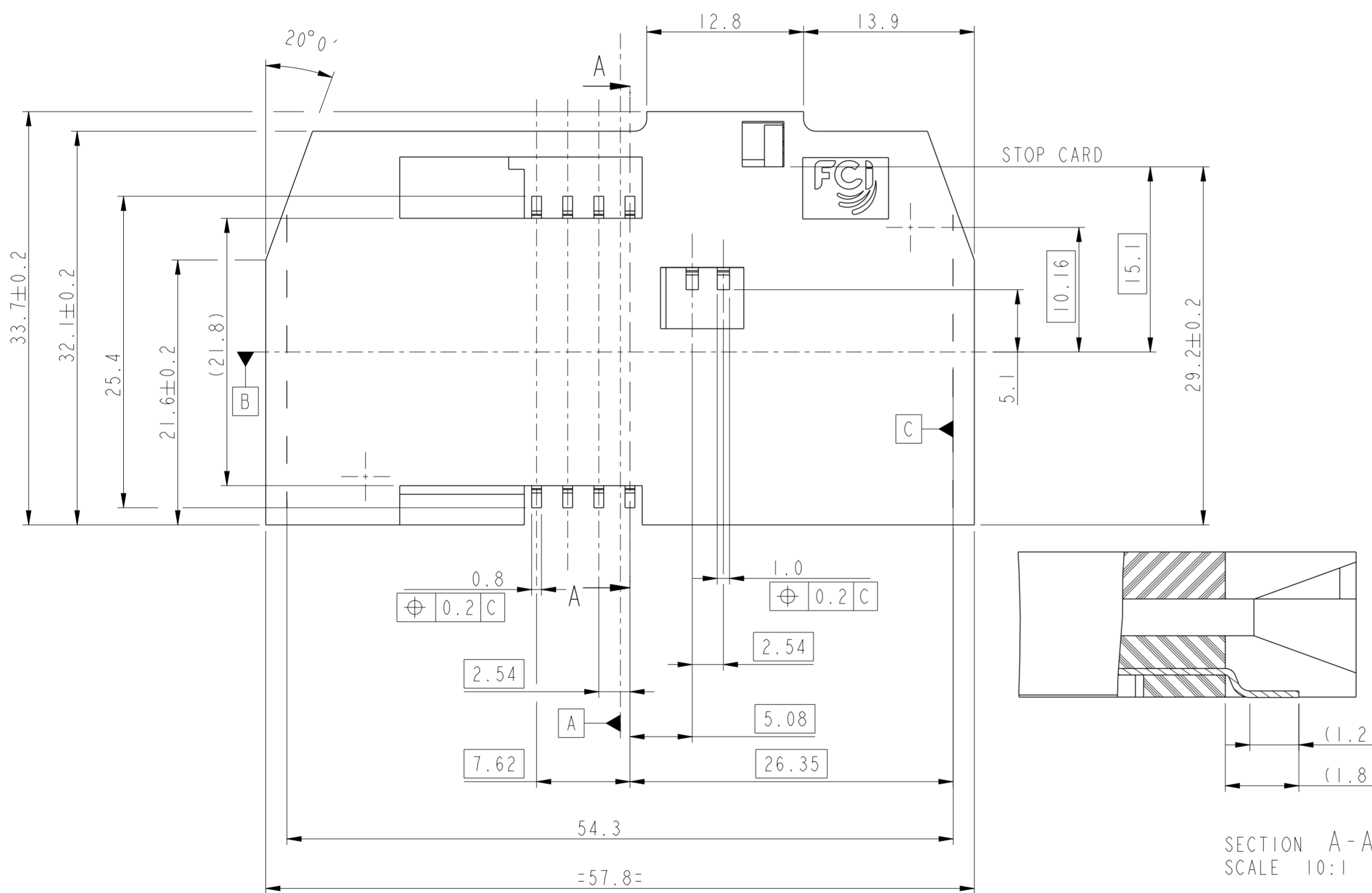
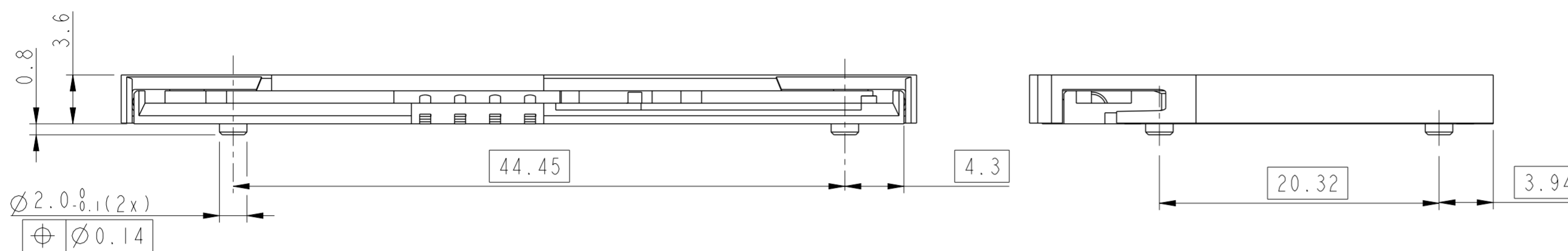
Contacts : copper alloy
Cover :
Color for LF part : Natural
Plating : Gold / Equivalent PdNi over Nickel on contact area
Solder tails : Sn bare edge allowed
Housing : self extinguishing, Thermoplastic
UL94-V0 rated

ENVIRONMENT

Storage temperature : -40°C, +85°C
Operating temperature : -20°C, +70°C
Packaging : Tray
Compatible reflow soldering process

NOTE: RoHS INFORMATIONS

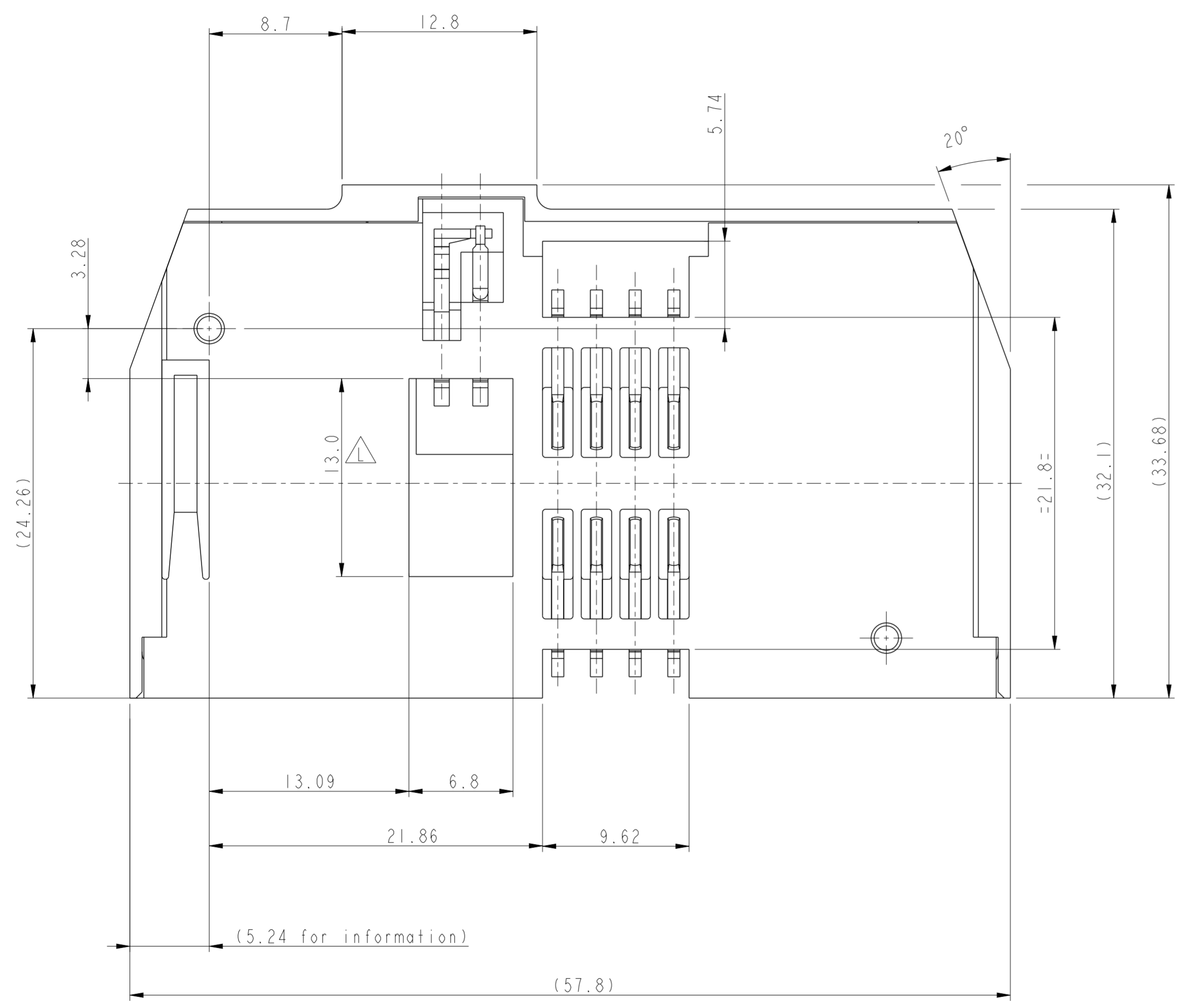
-The "LF" products meet European Union Directives and other country regulations as described in GS-47-0004 .
- The housing will withstand exposure to 260°C peak temperature for 30 seconds in a convection, infra-red or vapor reflow oven. See Application notes/procedures, if they are available.
- Packaging spec: see GS-14-920



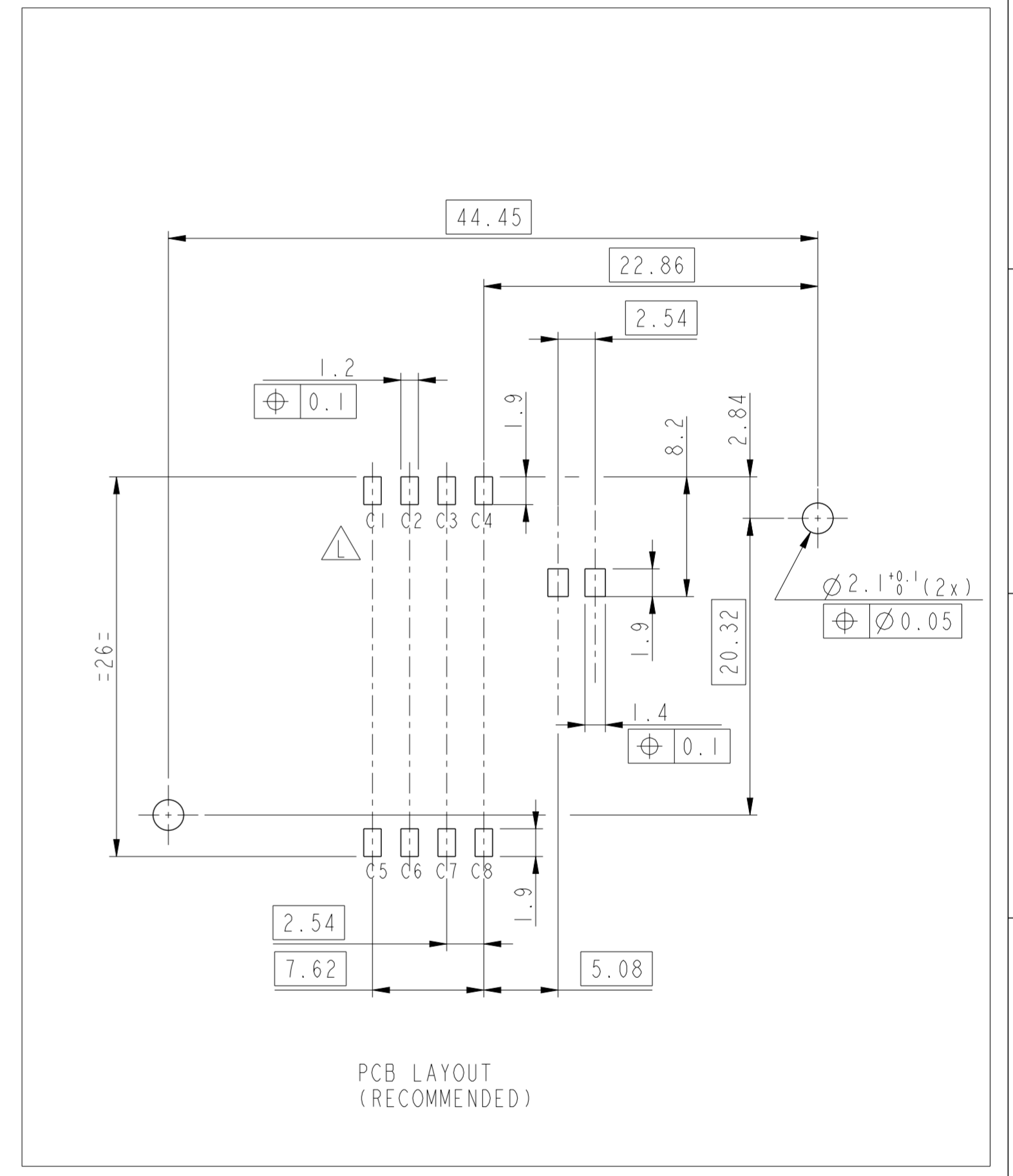
SCALE 2:1

spec ref	SEE NOTES	dr	P-Mathew Nebu	2014/0927	projection	mm	size	A2	scale	3:1							
tolerance std	TOLERANCES UNLESS OTHERWISE SPECIFIED	eng	P-Mathew Nebu	2014/10/08		mm	ecn no	ELX-18989-1	rel level	Released							
ISO 406		chr	-														
ISO 1101		appr	K-Paul Biju	2014/10/08	product family	MOBILE I/O	cat. no.	VJW53666	rev	L							
surface	<table border="1"> <tr> <td>linear</td> <td>0.X</td> <td>±0.3</td> </tr> <tr> <td></td> <td>0.XX</td> <td>±0.1</td> </tr> <tr> <td></td> <td>0.XXX</td> <td>±0.05</td> </tr> <tr> <td>angular</td> <td>0°</td> <td>±2°</td> </tr> </table>	linear	0.X	±0.3		0.XX	±0.1		0.XXX	±0.05	angular	0°	±2°		CHIP CARD CONNECTOR TYPE : P02 (8 cts with cover)	Product - Customer Drw	sheet 1 of 3
linear	0.X	±0.3															
	0.XX	±0.1															
	0.XXX	±0.05															
angular	0°	±2°															
ISO 1302		www.fci.com	cat. no.	SEE TABLE													

LEAD FREE CATALOGUE NUMBER
 7712P0225A25LF
 7312P0225A13LF



LAYOUT FOR KEEP OUT ZONE
 (CONNECTOR SIDE)



PCB LAYOUT
 (RECOMMENDED)

Copyright FCI.
FCI

spec ref	SEE NOTES	dr	P-Mathew Nebu	2014/09/27	projection	mm	size	A2	scale	4:1								
tolerance std	TOLERANCES UNLESS OTHERWISE SPECIFIED	eng	P-Mathew Nebu	2014/10/08		mm	ecn no	ELX-18989-1	rel level	Released								
ISO 406		chr	-															
ISO 1101		appr	K-Paul Biju	2014/10/08							product family	MOBILE I/O						
surface	<table border="1"> <tr> <td>linear</td> <td>0.X</td> <td>±0.3</td> </tr> <tr> <td></td> <td>0.XX</td> <td>±0.1</td> </tr> <tr> <td></td> <td>0.XXX</td> <td>±0.05</td> </tr> <tr> <td>angular</td> <td>0°</td> <td>±2°</td> </tr> </table>	linear	0.X	±0.3		0.XX	±0.1		0.XXX	±0.05	angular	0°	±2°		CHIP CARD CONNECTOR TYPE : P02 (8 cts with cover)		dwg no VJW53666	rev L
linear	0.X	±0.3																
	0.XX	±0.1																
	0.XXX	±0.05																
angular	0°	±2°																
ISO 1302		www.fci.com	cat. no.	SEE TABLE	Product - Customer Drw	sheet 2 of 3												

PDS: Rev :L

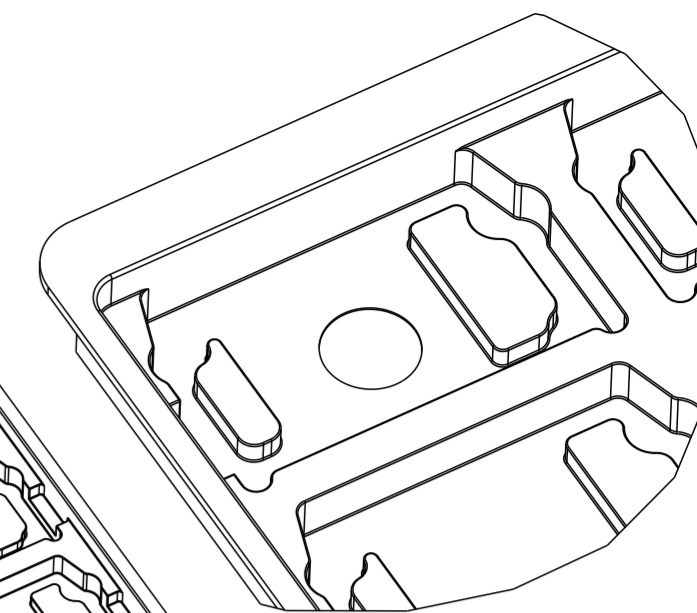
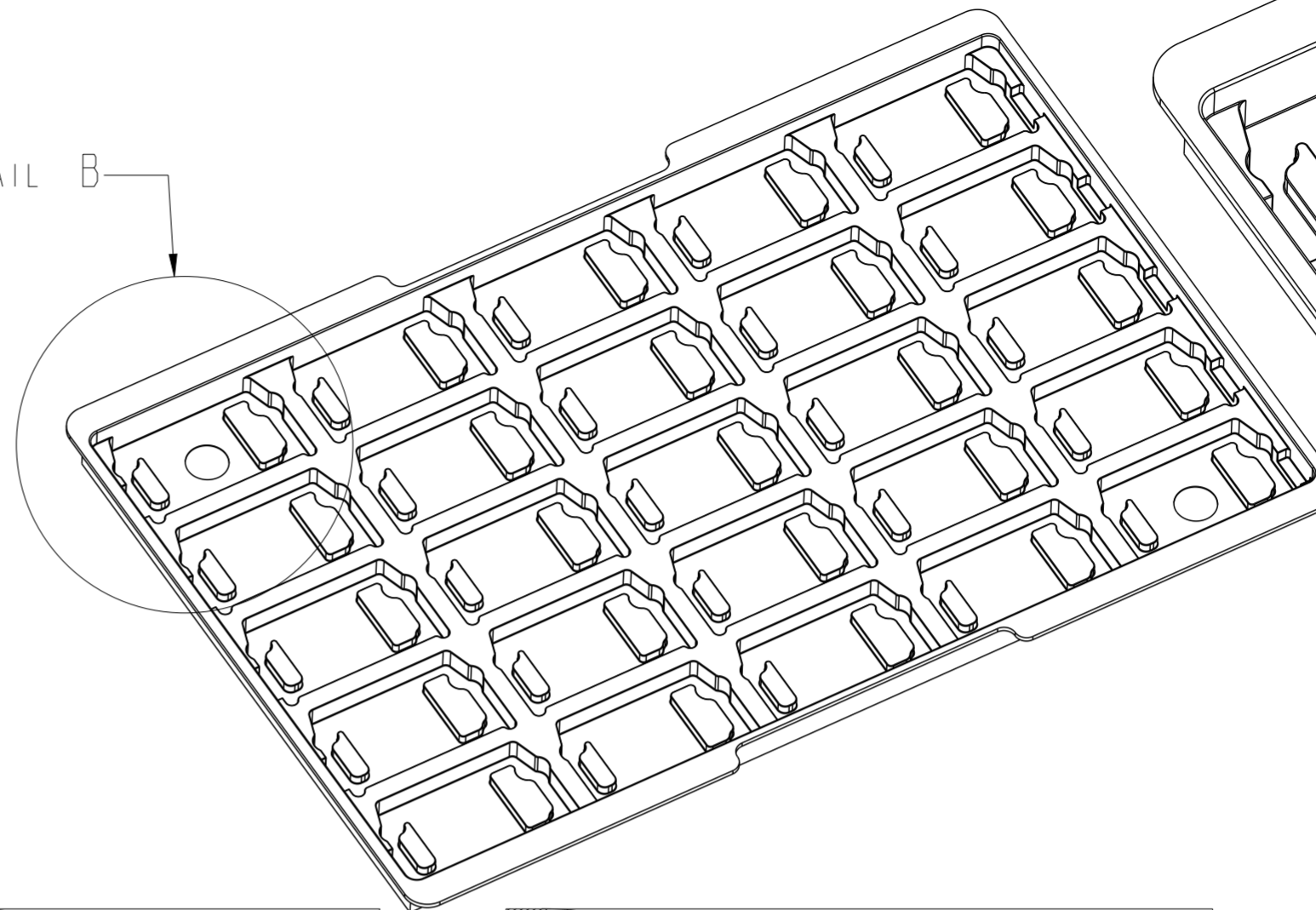
STATUS:Released

Printed: Oct 08, 2014

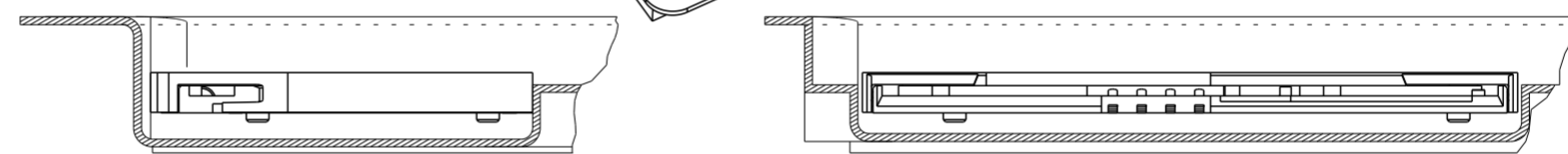
7712P0225A25LF

FOR PICK AND PLACE VERSION

SEE DETAIL B



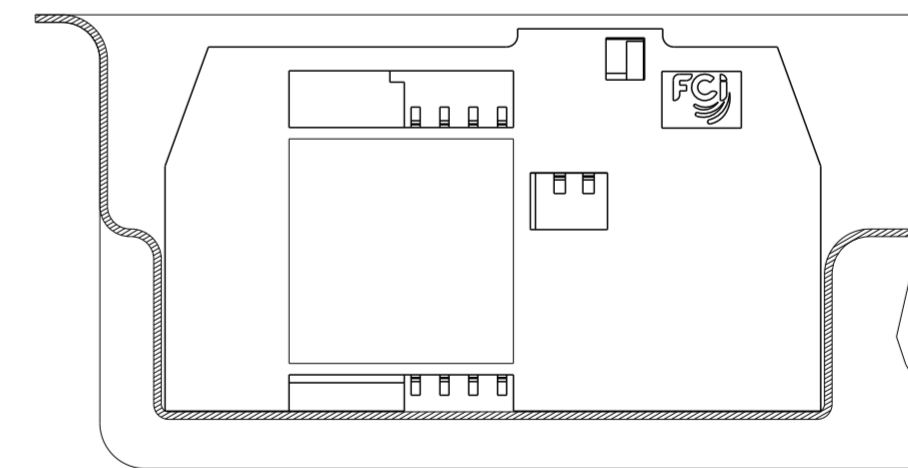
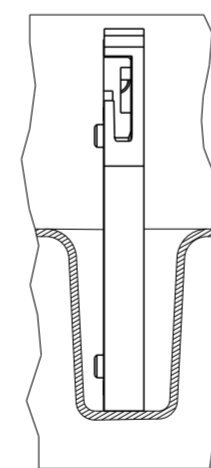
DETAIL B
SCALE 1:1



HORIZONTAL PLACEMENT

7312P0225A13LF

STANDARD VERSION



VERTICAL PLACEMENT

PACKAGING

P / N	Quantity by Tray	Trays Material Detail
7712P0225A25LF	25 Horizontal Placement	Antistatic
7312P0225A13LF	100 Vertical Placement	No Antistatic

spec ref	SEE NOTES	dr	P-Mathew Nebu	2014/09/27	projection	mm	size	A2	scale	3:2								
tolerance std	TOLERANCES UNLESS OTHERWISE SPECIFIED	eng	P-Mathew Nebu	2014/10/08		mm	ecn no	ELX-18989-1	rel level	Released								
ISO 406		chr	-															
ISO 1101		appr	K-Paul Biju	2014/10/08	product family	MOBILE I/O	rel level	Released										
surface	<table border="1"> <tr> <td>linear</td> <td>0.X</td> <td>±0.3</td> </tr> <tr> <td></td> <td>0.XX</td> <td>±0.1</td> </tr> <tr> <td></td> <td>0.XXX</td> <td>±0.05</td> </tr> <tr> <td>angular</td> <td>0°</td> <td>±2°</td> </tr> </table>	linear	0.X	±0.3		0.XX	±0.1		0.XXX	±0.05	angular	0°	±2°		FCI title CHIP CARD CONNECTOR TYPE : P02 (8 cts with cover)	cat. no. SEE TABLE	Product - Customer Drw	sheet 3 of 3
linear	0.X	±0.3																
	0.XX	±0.1																
	0.XXX	±0.05																
angular	0°	±2°																
ISO 1302		www.fci.com					dng no VJW53666	rev L										



X-ON Electronics

Largest Supplier of Electrical and Electronic Components

Click to view similar products for [Memory Card Connectors](#) category:

Click to view products by [Amphenol](#) manufacturer:

Other Similar products are found below :

[M10-597810-355](#) [M21-033321-005](#) [6426-201-21343](#) [69.920.0553.0](#) [MCR60A-98D-2.54DSA\(70\)](#) [FCN-568P068-G/07-4V](#) [809180410000000](#)
[95622-003LF](#) [AD2-262F-38900-232](#) [DM3AT-SF-PEJM5\(41\)](#) [EN2997S72039F6](#) [N7E50-7516PG-20-WF](#) [IC11S-BUR-PNEJL\(71\)](#) [NX30TA-](#)
[15PAA\(50\)](#) [21920-5](#) [2041353-2](#) [FUA006-3220-0](#) [308-DS1P0811-192](#) [33CFAE-DN](#) [MI21A-50PD-SF-EJR\(91\)](#) [502431-1011](#) [5175651-2](#) [10-](#)
[247926-166](#) [10-629549-258N](#) [11327-001](#) [11327-002](#) [EN2997S02039B8](#) [EN2997S61212BN](#) [EN2997S72039B6](#) [EN2997SE02039B8](#)
[EN2997SE61212BN](#) [EN2997SE72039B6](#) [603020000](#) [617230001](#) [71-252718-32P](#) [NX1-32T-KT3K\(05\)](#) [95622-003LF](#) [91-570124-15P](#)
[192900-0488](#) [N7E50-U516RB-50-SIN0005](#) [DM1AA-SF-PEJ](#) [95079-00CALF](#) [84648-056HLF](#) [68-580163-21S](#) [33DVIR-29S12R](#)
[SF58S006VBBR2000](#) [93-570123-08P](#) [GMC020080HR](#) [125A-78C00](#) [1010040575#](#)