

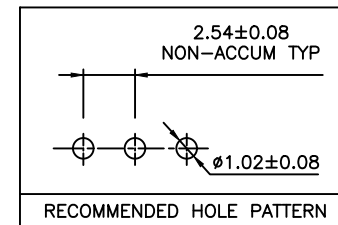
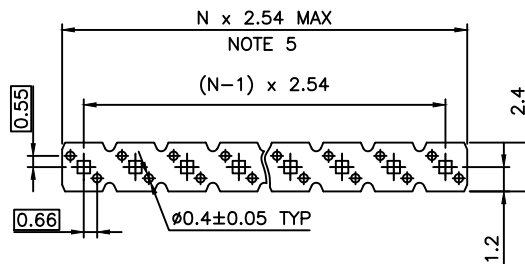
PRODUCT NUMBER
77311-YXX-XXLF

PLATING SEE SHEET 2
PIN STYLE SEE SHEET 2
RoHS COMPATIBLE SEE NOTE 6
TOTAL NB OF POSITIONS 01 TO 36
OPTION LETTER SEE SHEET 2

PRODUCT NUMBER (BERGSTRIK PACKAGING)
77311-YXX-OOLF

PLATING
1= 0.76µm GOLD/GXT ON CONTACT AREA, 2µm TIN MIN ON TAILS
8= 0.38µm GOLD/GXT ON CONTACT AREA, 2µm TIN MIN ON TAILS
4= 2.0µm TIN MIN FULL PLATED
INDICATES THE PRODUCT IS RoHS COMPATIBLE, SEE NOTE 6
POSITIONS PER REEL : 00=36,000 (BERGSTRIK)

PIN STYLE	MATING	SOLDER	OAL
01	5.84	2.41	10.8
02	5.84	3.42	11.8
18	5.84	3.05	11.43
22	7.75	3.05	13.35
24	6.75	2.9	12.2
27	6.6	2.66	11.8



NOTES:

- HOUSING MAT'L : HIGH TEMPERATURE THERMOPLASTIC. UL94V-0 COLOR: BLACK
- PIN MATERIAL : PHOSPHOR BRONZE
- BERGSTIK PRODUCT PACKAGED IN POLYBAGS. BERGSTRIK PRODUCT PACKAGED PER REELS.
- 9N MIN RETENTION IN EITHER DIRECTION
- TO DETERMINE DIMENSIONS :
N = NUMBER OF POSITIONS PER ROW
EXAMPLE : 8 POS N x 2.54 = 20.32mm
- RoHS COMPATIBLE PRODUCT SPECIFICATIONS

a - PLATING:

- "LF" MEANS THE PRODUCT IS LEAD-FREE, 2µm MINIMUM MATTE TIN OVER 1.27µm MINIMUM NICKEL UNDERPLATE.

b - MANUFACTURING PROCESS COMPATIBILITY

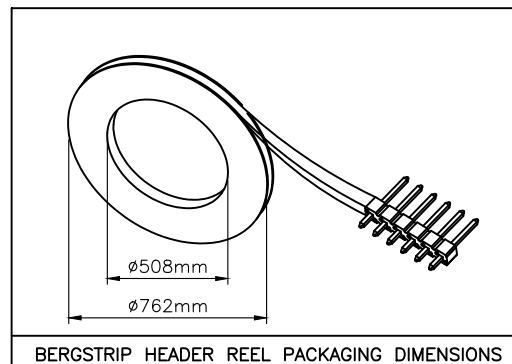
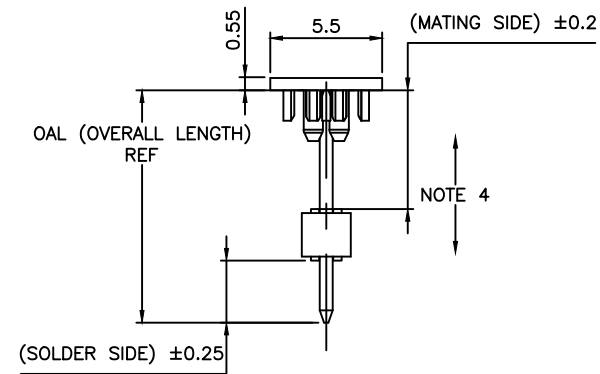
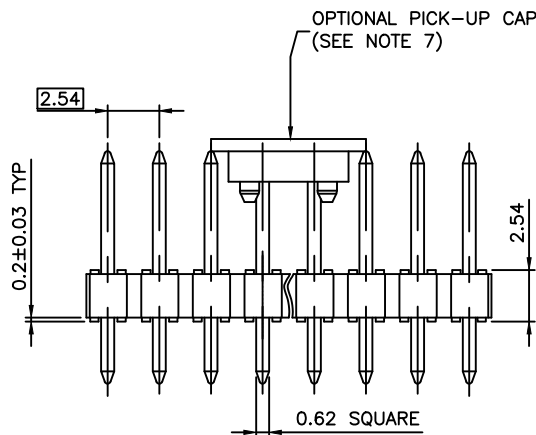
- THE HOUSING WILL WITHSTAND EXPOSURE TO 260°C ±5°C SOLDER BATH TEMPERATURE FOR 5 SECONDS IN A WAVE SOLDER APPLICATION WITH A 1.6mm MIN THICK CIRCUIT BOARD.

- REFLOW COMPATIBLE

c - LABELING:

- MEETS PACKAGING SPECS AS PER GS-14-920

d - LEGAL STATEMENT: SEE GS-47-0004



BERGSTRIK HEADER REEL PACKAGING DIMENSIONS

mat'l. code		surface		tolerance		projection		product family	
SEE NOTES		ISO 1302 ✓		ISO 406 ISO 1101		mm		BERGSTIK	
ltr	ecn no	dr	date	tolerances unless otherwise specified		mm		title	
CW	F-38159	DDE	20.08.26	.x ±0.3		mm		UNSHR.HEADER	
CX	F-39392	DDE	20.12.18	.xx ±0.15		scale 5:1		STR SR TMT	
				.xxx ±0.05				dwg no	
CS	F-29484	DDE	18.03.08	dr	D.LE	01.01.24	sheet 1 of 3		size
CT	F-31328	LMU	18.09.20	enr	JM.C	01.01.24	77311		A3
CU	F-33636	LMU	19.05.22	chr	JM.C	01.01.24	type		Drawing
CV	F-35304	LMU	19.11.04	appd	JF.N	01.01.24	CUSTOMER		
sheet	revision	CX	BY	M					
index	sheet	1	2	3					

Amphenol FCI FCconnect.com

Copyright FCI

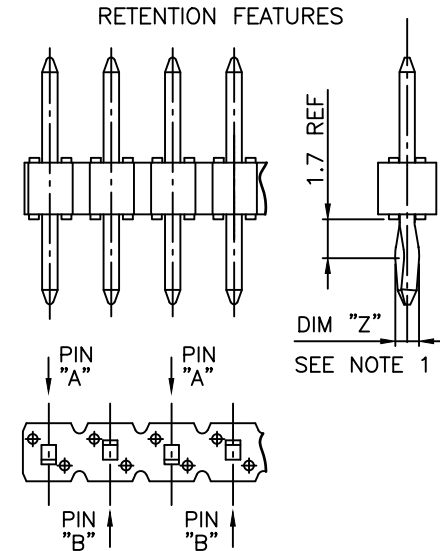
OPTIONS : - = POLYBAG PACKAGING
 T = TUBE PACKAGING WITHOUT PICK UP CAP
 K = TAPE & REEL PACKAGING, WITHOUT PICK UP CAP
 ONLY FOR P/N 77311-462K04(LF) AND 77311-462K05(LF)
 A = TAPE & REEL PACKAGING, WITH PICK UP CAP. AS AVAILABLE
 KC = TAPE & REEL PACKAGING WITHOUT PICK UP CAP AND WITH HIGH RETENTION FEATURES
 KV = TAPE & REEL PACKAGING WITHOUT PICK UP CAP FOR CUSTOMER DEDICATED PART
 ONLY FOR P/N 77311-462KV04LF
 AV = TAPE & REEL PACKAGING WITH PICK UP CAP FOR CUSTOMER DEDICATED PART
 C = HIGH RETENTION FEATURES, SEE SHEET 2
 V = BLIBOX PACKAGING FOR CUSTOMER DEDICATED PART. ONLY FOR 77311-4BNV01LF
 R = RETENTION FEATURES, SEE BELOW
 IF RETENTION FEATURE "R" AND TUBE PACKAGING "T" ARE BOTH REQUIRED
 OPTIONAL LETTER "R" WILL APPEAR INSTEAD OF THE FIRST DASH
 EXAMPLE : 77311R424T03LF

RETENTION FEATURES :

- 1 - PART NUMBER 77311-XXXXXXLF: DIM "Z"=(0.99)
 PART NUMBER 77311-XXXXCXXLF: DIM "Z"= 1.05MIN -1.15MAX
- 2 - PINS "A" AND "B" USED FOR RETENTION.
- 3 - DIRECTION OF RETENTION SHOWN BY ARROWS.
- 4 - ON 4 TO 36 POSITIONS HEADER; RETENTION IS IN MID POSITION OF HEADER (4 CENTRAL PINS)
- 5 - FOR RETENTION OPTION , SOLDER TAIL LENGTH TO BE 2.9 MIN UP TO 3.5 MAX.
- 6 - HOUSING MATERIAL FOR P/N 77311-4AJC03LF & 77311-TAJC03LF
 HIGH TEMPERATURE THERMOPLASTIC UL94V-0 COLOR : NATURAL

PLATING SPECIFICATIONS :

- 7 - ONLY FOR PLATING 1XX, 8.0MM GOLD / GXT PLATING AREA FROM PIN TYPE ON MATING SIDE



PLATING :

- 1 = 0.76µm GOLD/GXT ON CONTACT AREA, 2µm TIN MIN ON TAIL
- 4 = 2µm TIN MIN FULL PLATED
- 5 = 0.25µm GOLD/GXT ON CONTACT AREA, 2µm TIN MIN ON TAIL
- 8 = 0.38µm GOLD/GXT ON CONTACT AREA, 2µm TIN MIN ON TAIL
- G = 0.76µm FULL GXT
- S = 0.38µm FULL GXT
- T = 2µm TIN MIN FULL PLATED INCLUDED PIN TYP
 - 1.27µm NICKEL MIN UNDERLAYER FOR ALL PLATING VERSIONS

mat'l. code				surface ISO 1302 ✓		tolerance ISO 406 ISO 1101		projection mm		product family BERGSTIK	
ltr	ecn no	dr	date	tolerances unless otherwise specified				title		UNSHR.HEADER STR SR TMT	
BU	B-20596	AMA	15.03.30	angles	linear			scale N/A		dwg no	
BV	F-22085	LMU	15.10.05					mm		sheet 2 of 3	
BW	F-22100	AMA	15.10.08							size	
BX	F-26241	LMU	17.03.01	dr	D.LE	01.01.24					A3
BY	F-39392	DDE	20.12.18	engr	JM.C	01.01.24					
				chr	JM.C	01.01.24					Drawing
BT	B-20497	BVE	15.03.18	appd	JF.N	01.01.24			type CUSTOMER		
sheet	revision										
index	sheet										

X-ON Electronics

Largest Supplier of Electrical and Electronic Components

Click to view similar products for [Headers & Wire Housings](#) category:

Click to view products by [Amphenol](#) manufacturer:

Other Similar products are found below :

[892-18-020-10-001101](#) [58102-G61-06LF](#) [582553-1](#) [0009485154](#) [009176003701906](#) [0050291907](#) [LY20-4P-DT1-P1E-BR](#) [02.125.8002.8](#)
[609-3404](#) [61062-3](#) [622-0430](#) [622-3653LF](#) [63453-116](#) [636-1030](#) [636-1427](#) [636-3427](#) [636-4007](#) [641938-9](#) [641991-4](#) [644827-2](#) [65817-010LF](#)
[65817-015LF](#) [65863-015LF](#) [66207-023LF](#) [67095-007LF](#) [67601157](#) [68648-049](#) [70.362.1628.0](#) [70-4210](#) [70-4226B](#) [70-4853B](#) [707-5020](#) [707-](#)
[5028](#) [71.350.2428.0](#) [71918-208LF](#) [71961-016LF](#) [733-134](#) [733-162](#) [754199-000](#) [760-3052](#) [787-8014-00](#) [79531-3000](#) [FCN-360C032-B](#) [FCN-](#)
[367T-T012/H](#) [FCN-723D010/2](#) [80.063.4001.1](#) [800-90-001-10-001000](#) [800-90-010-10-002000](#) [801-43-002-10-013000](#) [801-43-006-10-002000](#)