

PRODUCT NUMBER  
77313-YXX-XXLF

ROHS COMPATIBLE  
SEE NOTE 7

TOTAL NB OF POSITIONS 04 TO 72  
OPTION LETTERS : NOTE 8  
PIN STYLE SEE SHEET 2

PRODUCT NUMBER (BERGSTIP PACKAGING)  
77313-YXX-00LF

PLATING SEE SHEET 2

1 = 0.76µm GOLD/GXT ON CONTACT AREA, 2µm TIN MIN ON TAILS  
8 = 0.38µm GOLD/GXT ON CONTACT AREA, 2µm TIN MIN FULL PLATED  
1.27µm NICKEL MIN UNDERLAYER FOR ALL PLATING VERSIONS

NOTES:

1. HOUSING MAT'L : HIGH TEMPERATURE THERMOPLASTIC, UL94V-0 COLOR: BLACK

2. PIN MATERIAL : PHOSPHOR BRONZE

3. BERGSTIP PRODUCT PACKAGED IN POLY BAGS.

BERGSTIP PRODUCT PACKAGED IN PER REELS.

4. 9N MIN RETENTION IN EITHER DIRECTION

5. TO DETERMINE DIMENSIONS :

N = NUMBER OF POSITIONS PER ROW

EXAMPLE : 8 POS N X 2.54 = 20.32mm

6. FOR PIN IN PASTE SOLDERING APPLICATION :

LAND Ø1.45 MAX

7. ROHS COMPATIBLE PRODUCT SPECIFICATIONS

o - PLATING:

- "LF" MEANS THE PRODUCT IS LEAD-FREE, 2µm MINIMUM MATE TIN OVER 1.27µm MINIMUM NICKEL UNDERPLATE

b - MANUFACTURING PROCESS COMPATIBILITY

- THE HOUSING WILL WITHSTAND EXPOSURE TO 260°C ±5°C SOLDER BATH TEMPERATURE FOR 5 SECONDS IN A WAVE SOLDER APPLICATION WITH A 1.6mm MIN THICK CIRCUIT BOARD

- REFLOW COMPATIBLE

c - LABELING:

- MEETS PACKAGING SPECS AS PER GS-14-920

d - LEGAL STATEMENT: SEE GS-47-0004

8. OPTIONS : - = POLYBAG PACK

"A" = TAPE & REEL WITH CAP, AS AVAILABLE

"T" = STANDARD TUBE PACKAGING

"V" = BLIBOX PACK FOR CUSTOMER DEDICATED PART

"AV" = TAPE & REEL WITH CAP FOR CUSTOMER DEDICATED PART

"KV" = TAPE & REEL WITHOUT CAP FOR CUSTOMER DEDICATED PART

"TV" = TUBE WITHOUT CAP FOR CUSTOMER DEDICATED PART

"R" = RETENTION FEATURE PAGE 2

IF RETENTION FEATURE "R" AND TUBE PACKAGING "T" ARE BOTH REQUIRED  
OPTIONAL LETTER "R" WILL APPEAR INSTEAD OF THE FIRST DASH  
EXAMPLE : 77313R118140LF  
"KR" = T&R WITHOUT CAP WITH RETENTION FEATURE

PRODUCT NUMBER  
77313-YXX-00LF

PRODUCT NUMBER (BERGSTIP PACKAGING)  
77313-YXX-00LF

PLATING SEE SHEET 2

ROHS COMPATIBLE  
SEE NOTE 7

TOTAL NB OF POSITIONS 04 TO 72  
OPTION LETTERS : NOTE 8  
PIN STYLE SEE SHEET 2

1 = 0.76µm GOLD/GXT ON CONTACT AREA, 2µm TIN MIN ON TAILS  
8 = 0.38µm GOLD/GXT ON CONTACT AREA, 2µm TIN MIN FULL PLATED  
1.27µm NICKEL MIN UNDERLAYER FOR ALL PLATING VERSIONS

NOTES:

1. HOUSING MAT'L : HIGH TEMPERATURE THERMOPLASTIC, UL94V-0 COLOR: BLACK

2. PIN MATERIAL : PHOSPHOR BRONZE

3. BERGSTIP PRODUCT PACKAGED IN POLY BAGS.

BERGSTIP PRODUCT PACKAGED IN PER REELS.

4. 9N MIN RETENTION IN EITHER DIRECTION

5. TO DETERMINE DIMENSIONS :

N = NUMBER OF POSITIONS PER ROW

EXAMPLE : 8 POS N X 2.54 = 20.32mm

6. FOR PIN IN PASTE SOLDERING APPLICATION :

LAND Ø1.45 MAX

7. ROHS COMPATIBLE PRODUCT SPECIFICATIONS

o - PLATING:

- "LF" MEANS THE PRODUCT IS LEAD-FREE, 2µm MINIMUM MATE TIN OVER 1.27µm MINIMUM NICKEL UNDERPLATE

b - MANUFACTURING PROCESS COMPATIBILITY

- THE HOUSING WILL WITHSTAND EXPOSURE TO 260°C ±5°C SOLDER BATH TEMPERATURE FOR 5 SECONDS IN A WAVE SOLDER APPLICATION WITH A 1.6mm MIN THICK CIRCUIT BOARD

- REFLOW COMPATIBLE

c - LABELING:

- MEETS PACKAGING SPECS AS PER GS-14-920

d - LEGAL STATEMENT: SEE GS-47-0004

8. OPTIONS : - = POLYBAG PACK

"A" = TAPE & REEL WITH CAP, AS AVAILABLE

"T" = STANDARD TUBE PACKAGING

"V" = BLIBOX PACK FOR CUSTOMER DEDICATED PART

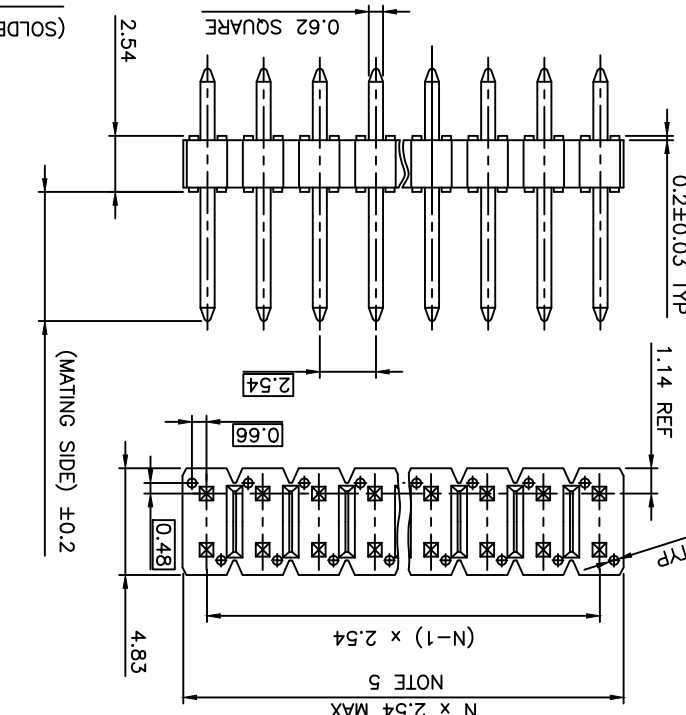
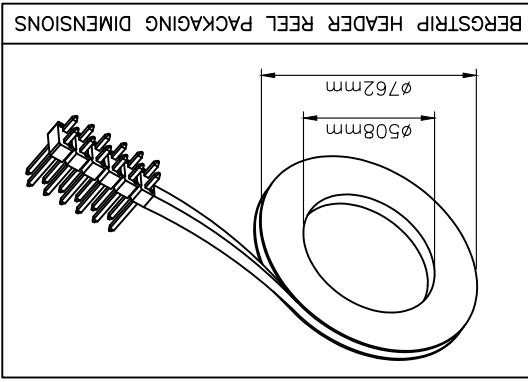
"AV" = TAPE & REEL WITH CAP FOR CUSTOMER DEDICATED PART

"KV" = TAPE & REEL WITHOUT CAP FOR CUSTOMER DEDICATED PART

"TV" = TUBE WITHOUT CAP FOR CUSTOMER DEDICATED PART

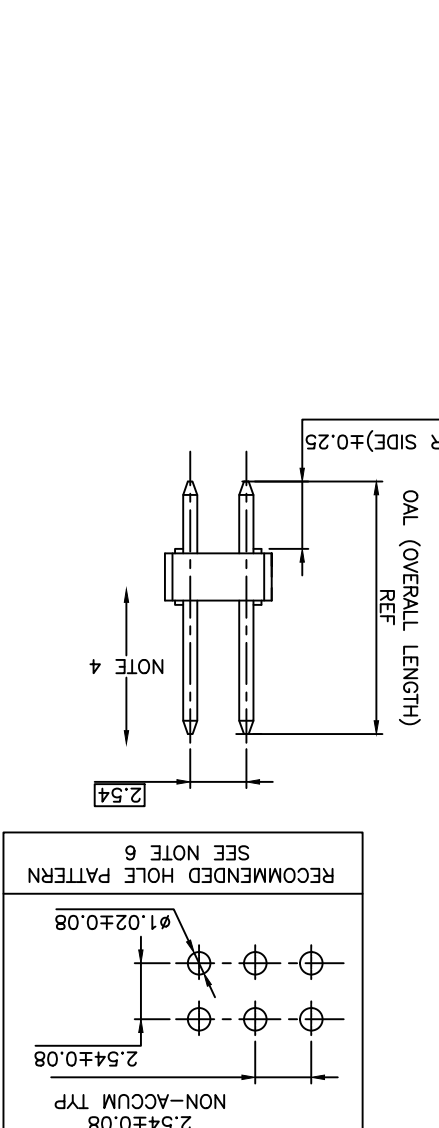
"R" = RETENTION FEATURE PAGE 2

IF RETENTION FEATURE "R" AND TUBE PACKAGING "T" ARE BOTH REQUIRED  
OPTIONAL LETTER "R" WILL APPEAR INSTEAD OF THE FIRST DASH  
EXAMPLE : 77313R118140LF  
"KR" = T&R WITHOUT CAP WITH RETENTION FEATURE



PIN STYLE	MATING SOLDER	OAL
01	5.84	2.41
02	5.84	3.42
18	5.84	3.05
22	7.75	3.05
24	6.75	2.9
27	6.6	2.66

INDICATES THE PRODUCT IS ROHS COMPATIBLE, SEE NOTE 6  
POSITIONS PER REEL : 00=45,000 (BERGSTIP)



mat'l. code	surface	tolerance	projection	product family	title	product family
SEE NOTES	ISO 1302	ISO 406 ISO 1101	ISO 1101	BERGSTIK	UNSHR.HEADER	BERGSTIK
1	F-33925	LMU	19.06.14	x ±0.3	mm	
	angles	linear	xx ±0.15			
			xxx ±0.05	scale 5:1		
CB	F-23186	AMA	16.02.01			
CC	F-23264	AMA	16.02.16	D.L.E	01.01.24	
CD	F-23581	AMA	16.03.22	engr	01.01.24	
CE	F-24865	AMA	16.08.31	chr	01.01.24	
CF	B-26200	JCA	17.02.27	pppd	01.01.24	
		JCO				
index	sheet					
	1	BK	D			
	2					
	3					

UNSHR.HEADER  
STR DR TMT  
scale 5:1  
mm  
product family BERGSTIK  
title UNSHR.HEADER  
product family BERGSTIK  
dwg no 77313  
sheet 1 of 3 size A3  
type CUSTOMER Drawing



PRODUCTS SPECIFICATIONS			
PIN STYLE MATING		SOLDER	
AT	5.84	7.20	15.57
AU	10.95	3.05	16.55
AV	8.08	4.32	14.96
AW	8.08	3.81	14.43
AX	6.40	3.09	12.05
AY	5.08	2.79	10.40
BA	8.97	2.79	14.05
BB	6.48	3.05	12.05
BC	11.85	4.04	18.40
BD	26.00	3.05	31.55
BE	9.08	1.90	13.52
BF	9.90	2.65	15.09
BG	9.50	3.25	15.29
BH	5.72	16.14	24.40

mat'l. code		surface		ISO 1302	tolerance	ISO 406 ISO 1001	projection		product family	BERGSTIK	
ltr	ecn no	dr	date	tolerances unless otherwise specified				mm	title	UNSHR.HEADER	
A	F-22605	BVE	15.11.24	angles	linear	scale N/A	STR DR TMT				
B	F-23264	AMA	16.02.16	sheet no							
C	B-26200	JCA	17.02.27	sheet 3 of 3							
D	F-33925	LMU	19.06.14	size							
		dr	D.LE	01.01.24	drawing						
					CUSTOMER						
					A3						
					Drawing						
					sheet revision						
					index sheet						

6 5 4 3 2 1 A B C D

## X-ON Electronics

Largest Supplier of Electrical and Electronic Components

*Click to view similar products for [Headers & Wire Housings](#) category:*

*Click to view products by [Amphenol](#) manufacturer:*

Other Similar products are found below :

[95000-104TRLF](#) [10135584-644402LF](#) [DF62W-EP2022PCA](#) [95000-106TRLF](#) [DF62W-2022SCA](#) [DF62W-EP2022PC](#) [2203348](#) [DF62W-2022SC](#) [1084018](#) [1029039](#) [1084017](#) [802-10-012-10-002000](#) [1112640](#) [1112639](#) [000-34000](#) [0009482033](#) [0009507031](#) [57102-S06-03LF](#) [57202-S52-04LF](#) [PCN6-15S-2.5E](#) [0039019024](#) [58102-G61-06LF](#) [582553-1](#) [0009485154](#) [0009508121](#) [0022285053](#) [0050291907](#) [018731A](#) [LY20-4P-DT1-P1E-BR](#) [02.125.8002.8](#) [60101931](#) [60598-1 \(Cut Strip\)](#) [M1625-3R/100](#) [61062-3](#) [61082-181009](#) [636-1427](#) [638009-1](#) [641938-9](#) [641991-4](#) [644168-1](#) [647662-1](#) [65039-019ELF](#) [65781-047](#) [65817-002LF](#) [65817-015LF](#) [65863-015LF](#) [66207-023LF](#) [67016-026LF](#) [67046-001LF](#) [67095-007LF](#)