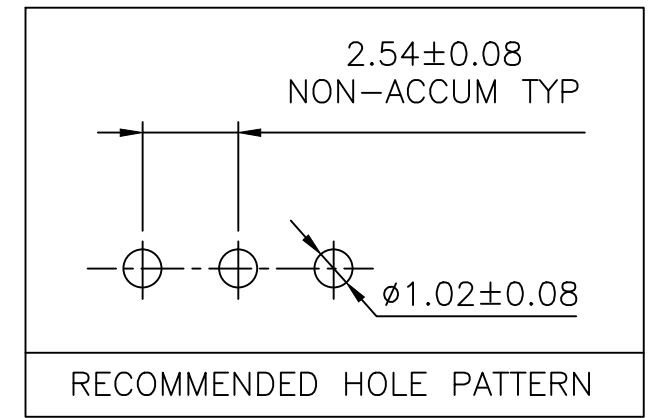
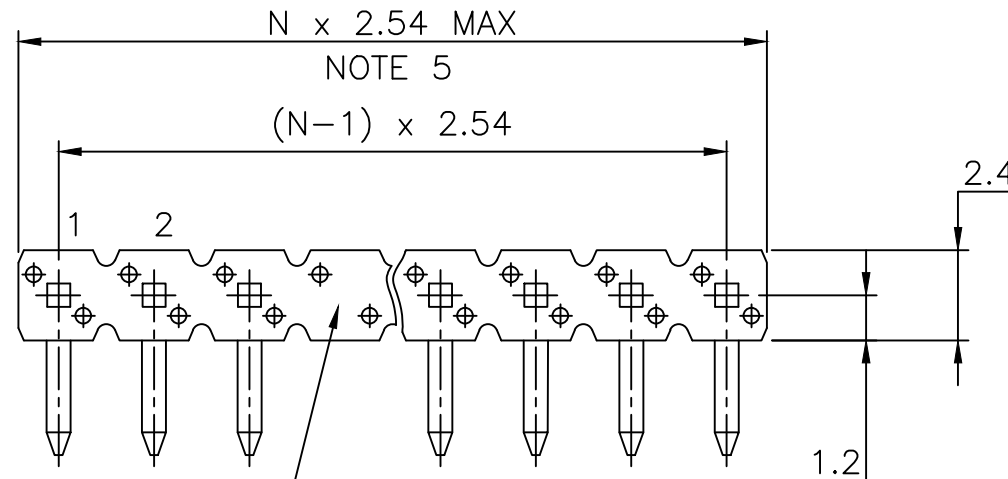


PRODUCT NUMBER

77316-YXXLF

- RoHS COMPATIBLE
SEE NOTE 7
- PIN STYLE SEE SHEET 2
- PLATING SEE SHEET 2

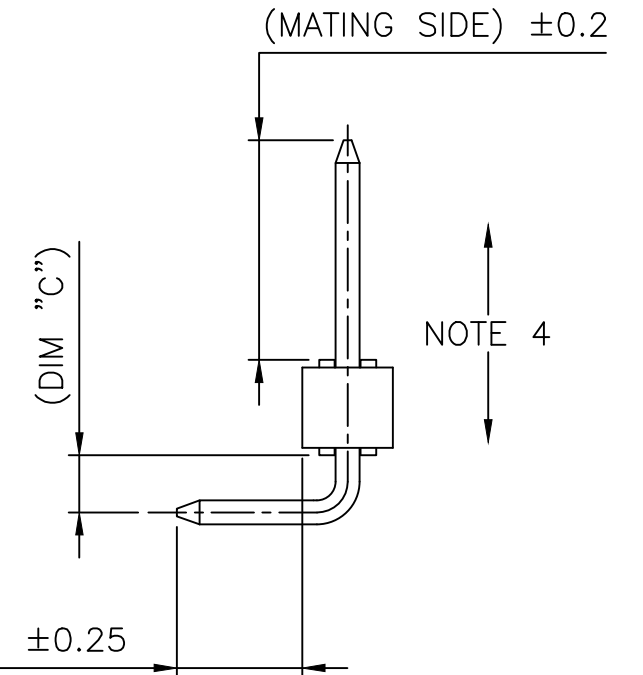
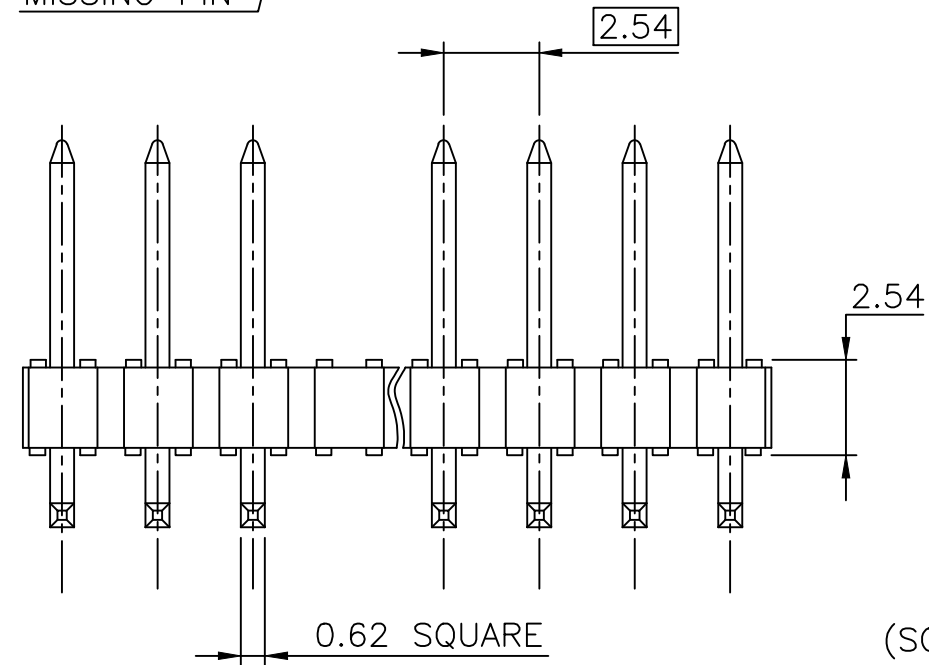
TOP VIEW



NOTES:

1. HOUSING MAT'L : HIGH TEMPERATURE THERMOPLASTIC. UL94V-0 COLOR: BLACK
2. PIN MATERIAL : PHOSPHOR BRONZE
3. PRODUCT PACKAGED IN POLY BAGS.
4. 9N MIN RETENTION IN EITHER DIRECTION
5. TO DETERMINE DIMENSIONS :
N = NUMBER OF POSITIONS PER ROW
EXAMPLE : 8 POS N x 2.54 = 20.32mm
6. UNDERPLATING : 1.27µm Ni MIN
7. RoHS COMPATIBLE PRODUCT SPECIFICATIONS
 - a - PLATING:
 - "LF" MEANS THE PRODUCT IS LEAD-FREE, 2µm MINIMUM MATTE TIN OVER 1.27µm MINIMUM NICKEL UNDERPLATE.
 - b - MANUFACTURING PROCESS COMPATIBILITY
 - THE HOUSING WILL WITHSTAND EXPOSURE TO 260°C ±5°C SOLDER BATH TEMPERATURE FOR 5 SECONDS IN A WAVE SOLDER APPLICATION WITH A 1.6mm MIN THICK CIRCUIT BOARD.
 - c - LABELING:
 - MEETS PACKAGING SPECS AS PER GS-14-920
 - d - LEGAL STATEMENT: SEE GS-47-0004

EXAMPLE OF MISSING PIN

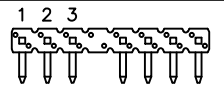


| | | | | | | | |
|------------------------|----------------|-----|----------|---------------------------------------|-------------------------------|------------------|--|
| mat'l. code SEE P/N | | | | surface ISO 1302 ✓ | tolerance ISO 406 ISO 1101 | projection mm | product family BSTIK |
| ltr | ecn no | dr | date | tolerances unless otherwise specified | | mm | title UNSHR.HEADER RA SR TMT POL |
| AG | F12-0823 | JFA | 12.11.05 | angles | .X ±0.3 | | |
| AH | B-17992 | LMU | 14.06.18 | linear | .XX ±0.15 | scale 5:1 | dwg no 77316 |
| AJ | B-18916 | LMU | 14.09.26 | | .XXX ±0.05 | | |
| AK | B-19156 | LMU | 14.10.22 | dr | O. MATHEVON | 96.04.09 | sheet 1 of 3 |
| AL | F-24542 | AMA | 16.07.20 | engr | COMPAGNON | J 96.04.09 | size A3 |
| AM | F-25333 | DDE | 16.11.15 | chr | COMPAGNON | J 96.04.09 | type CUSTOMER Drawing |
| AN | F-25362 | DDE | 16.11.16 | app | JMC | 96.04.09 | |
| sheet index | revision sheet | AN | V | AG | | | |
| | | 1 | 2 | 3 | | | |



Copyright FCI

| PIN STYLE | NB OF POS | PRODUCT DEFINITION | | | TOP VIEW OF HEADER SHOWING MISSING PIN POSITIONS | |
|-----------|-----------|--------------------|---------------------|---------|--|---|
| | | "MATING SIDE" ±0.2 | "SOLDER SIDE" ±0.35 | "C" REF | 1 | 5 |
| 01 | 1x5 | 5.72 | 2.57 | 1.4 | | |
| 02 | 1x6 | 5.72 | 2.57 | 1.4 | | |
| 03 | 1x6 | 5.72 | 5.11 | 3.94 | | |
| 04 | 1x21 | 5.72 | 3.45 | 1.4 | | |
| 06 | 1x5 | 5.72 | 2.57 | 1.4 | | |
| 07 | 1x3 | 5.72 | 3.45 | 1.4 | | |
| 08 | 1x21 | 5.72 | 3.45 | 1.4 | | |
| 10 | 1x13 | 5.72 | 3.45 | 1.4 | | |
| 17 | 1x7 | 5.72 | 3.45 | 1.4 | | |
| 18 | 1x10 | 5.72 | 3.45 | 1.4 | | |
| 20 | 1x12 | 5.84 | 2.29 | 1.4 | | |
| 21 | 1x12 | 5.72 | 2.57 | 1.4 | | |
| 22 | 1x8 | 5.72 | 3.45 | 1.4 | | |
| 23 | 1x6 | 5.72 | 3.45 | 1.4 | | |
| 26 | 1x6 | 5.72 | 3.45 | 1.4 | | |
| 27 | 1x6 | 5.72 | 3.45 | 1.4 | | |
| 28 | 1x9 | 5.72 | 3.45 | 1.4 | | |
| 29 | 1x4 | 5.72 | 3.45 | 1.4 | | |
| 30 | 1x13 | 5.72 | 3.45 | 1.4 | | |
| 31 | 1x7 | 5.72 | 3.45 | 1.4 | | |
| 32 | 1x10 | 5.72 | 3.45 | 1.4 | | |
| 33 | 1x9 | 5.72 | 3.45 | 1.4 | | |
| 34 | 1x5 | 5.72 | 3.45 | 1.4 | | |
| 35 | 1x15 | 5.72 | 2.57 | 1.4 | | |

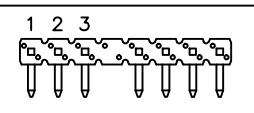


| | | |
|--------------|----------------------------------|------------------|
| 77316-9XXLF | 0.2µm Au / GXT | 2.0-7.5 Sn MATTE |
| 77316-8XXLF | 0.38µm Au/GXT | 2.0-7.5 Sn MATTE |
| 77316-5XXLF | 0.25µm Au/GXT | 2.0-7.5 Sn MATTE |
| 77316-4XXLF | 2.0-7.5 Sn MATTE | |
| 77316-2XXLF | 1.27µm Au | 2.0-7.5 Sn MATTE |
| 77316-1XXLF | 0.76µm Au/GXT | 2.0-7.5 Sn MATTE |
| PLATING CODE | CONTACT AREA | REMAINDER |
| | PLATING THICKNESS OVER 1.27µm Ni | |

| | | | | | | | | | |
|-------------|--|----------------|--|------------------|--|------------|--|-----------------------|--|
| mat'l. code | | surface | | tolerance | | projection | | product family | |
| | | ISO 1302 | | ISO 406 ISO 1101 | | mm | | BSTIK | |
| lfr | | ecn no | | date | | angles | | title | |
| R | | F06-0207 | | LMU 06.07.27 | | Linear | | UNSHR.HEADER | |
| S | | F08-0148 | | RTR 08.03.31 | | | | RA SR TMT POL | |
| T | | F11-0052 | | LMU 11.04.22 | | | | dwg no | |
| U | | B-18916 | | LMU 14.09.29 | | dr | | O. MATHEVON 96.04.09 | |
| V | | F-24542 | | AMA 16.07.20 | | engr | | COMPAGNON J 96.04.09 | |
| P | | F04-0362 | | LMU 04.11.29 | | appd | | JMC 96.04.09 | |
| sheet index | | revision sheet | | | | | | sheet 2 of size | |
| | | | | | | | | 77316 A3 | |
| | | | | | | | | type CUSTOMER Drawing | |

Copyright FCJ
FCJconnect.com

| PIN STYLE | NB OF POS | PRODUCT DEFINITION | | | TOP VIEW OF HEADER SHOWING MISSING PIN POSITIONS | | | | | | | | |
|-----------|-----------|-----------------------|------------------------|------------|---|---|----|----|----|----|----|----|--|
| | | "MATING SIDE" ±0.2 | "SOLDER SIDE" ±0.35 | "C" REF | 1 | 5 | 10 | 15 | 20 | 25 | 30 | 35 | |
| 36 | 1x08 | 3.05 | 5.00 | 1.4 | | | | | | | | | |
| 37 | 1x04 | 6.75 | 2.85 | 1.4 | | | | | | | | | |
| 38 | 1x09 | 5.72 | 2.54 | 1.4 | | | | | | | | | |
| 39 | 1x09 | 5.72 | 2.54 | 1.4 | | | | | | | | | |
| 40 | 1x36 | 5.72 | 2.57 | 1.4 | | | | | | | | | |
| 41 | 1x05 | 5.72 | 3.45 | 1.4 | | | | | | | | | |
| 42 | 1x03 | 5.72 | 3.45 | 1.4 | | | | | | | | | |
| 43 | 1x12 | 3.10 | 4.00 | 1.4 | | | | | | | | | |
| 44 | 1x07 | 5.00 | 4.00 | 1.4 | | | | | | | | | |
| 45 | 1x05 | 14.20 | 3.20 | 1.4 | | | | | | | | | |
| 46 | 1x11 | 6.75 | 2.85 | 1.4 | | | | | | | | | |
| 47 | 1x18 | 5.72 | 2.57 | 1.4 | | | | | | | | | |
| 48 | 1x03 | 11.70 | 2.80 | 1.5 | | | | | | | | | |
| 49 | 1x05 | 10.00 | 3.45 | 1.5 | | | | | | | | | |
| 50 | 1x07 | 5.72 | 3.45 | 1.4 | | | | | | | | | |
| 51 | 1x13 | 5.84 | 3.05 | 1.4 | | | | | | | | | |
| 52 | 1x09 | 10.00 | 3.45 | 1.5 | | | | | | | | | |
| 53 | 1x16 | 2.54 | 4.70 | 1.5 | | | | | | | | | |
| 54 | 1x05 | 3.05 | 2.52 | 7.61 | | | | | | | | | |
| 55 | 1x16 | 5.84 | 7.37 | 1.52 | | | | | | | | | |
| 56 | 1x10 | 5.84 | 7.37 | 1.52 | | | | | | | | | |
| 57 | 1x17 | 2.54 | 4.70 | 1.5 | | | | | | | | | |
| 58 | 1x07 | 8.08 | 3.05 | 1.5 | | | | | | | | | |
| 59 | 1x05 | 17.00 | 3.00 | 1.52 | | | | | | | | | |
| 60 | 1x03 | 3.50 | 3.05 | 1.52 | | | | | | | | | |
| 61 | 1x11 | 3.50 | 3.05 | 1.52 | | | | | | | | | |



| | | | | | | | | | | | |
|-------------|----------------|-----|----------|---|-------------|--|--|----------------|--|--|--|
| mat'l. code | | | | surface <input checked="" type="checkbox"/> ISO 1302 <input type="checkbox"/> ISO 406 <input type="checkbox"/> ISO 1101 | | tolerance tolerances unless otherwise specified | | projection | | product family BSTIK | |
| ltr | ecn no | dr | date | angles | | linear | | mm | | title UNSHR.HEADER RA SR TMT POL | |
| AG | F-25362 | DDE | 16.11.16 | | | | | scale N/A | | dwg no 77316 sheet 3 of size A3 | |
| AB | F12-0823 | JFA | 12.11.05 | | | | | | | type CUSTOMER Drawing | |
| AC | B-17992 | LMU | 14.06.18 | dr | O. MATHEVON | 96.04.09 | | | | | |
| AD | B-19156 | LMU | 14.10.22 | engr | COMPAGNON J | 96.04.09 | | | | | |
| AE | F-24542 | AMA | 16.07.20 | chr | COMPAGNON J | 96.04.09 | | | | | |
| AF | F-25333 | DDE | 16.11.15 | app | JMC | 96.04.09 | | | | | |
| sheet index | revision sheet | | | | | | | | | | |



Copyright FCI

X-ON Electronics

Largest Supplier of Electrical and Electronic Components

Click to view similar products for [Headers & Wire Housings](#) category:

Click to view products by [Amphenol](#) manufacturer:

Other Similar products are found below :

[892-18-020-10-001101](#) [58102-G61-06LF](#) [582553-1](#) [0009485154](#) [009176003701906](#) [0050291907](#) [LY20-4P-DT1-P1E-BR](#) [02.125.8002.8](#)
[609-3404](#) [61062-3](#) [622-0430](#) [622-3653LF](#) [63453-116](#) [636-1030](#) [636-1427](#) [636-3427](#) [636-4007](#) [641938-9](#) [641991-4](#) [644827-2](#) [65817-010LF](#)
[65817-015LF](#) [65863-015LF](#) [66207-023LF](#) [67095-007LF](#) [67601157](#) [68648-049](#) [70.362.1628.0](#) [70-4210](#) [70-4226B](#) [70-4853B](#) [707-5020](#) [707-5028](#) [71.350.2428.0](#) [71918-208LF](#) [71961-016LF](#) [733-134](#) [733-162](#) [754199-000](#) [760-3052](#) [787-8014-00](#) [79531-3000](#) [FCN-360C032-B](#) [FCN-367T-T012/H](#) [FCN-723D010/2](#) [80.063.4001.1](#) [800-90-001-10-001000](#) [800-90-010-10-002000](#) [801-43-002-10-013000](#) [801-43-006-10-002000](#)