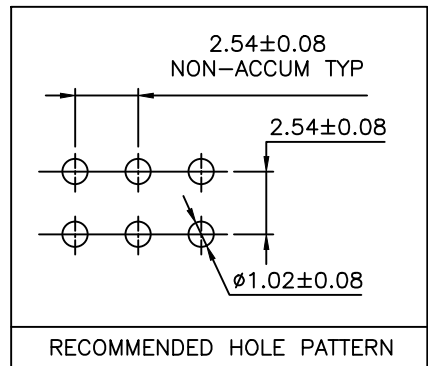
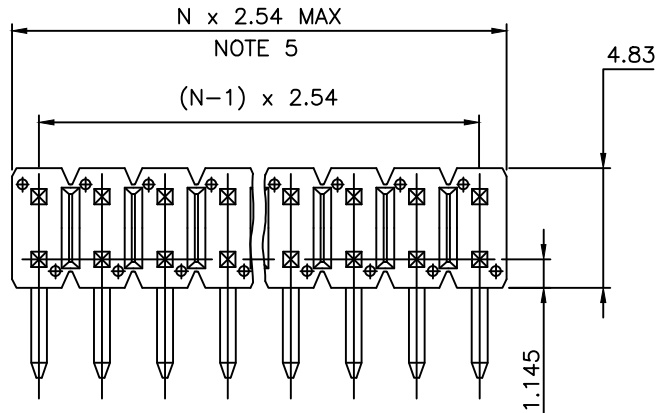


PRODUCT NUMBER

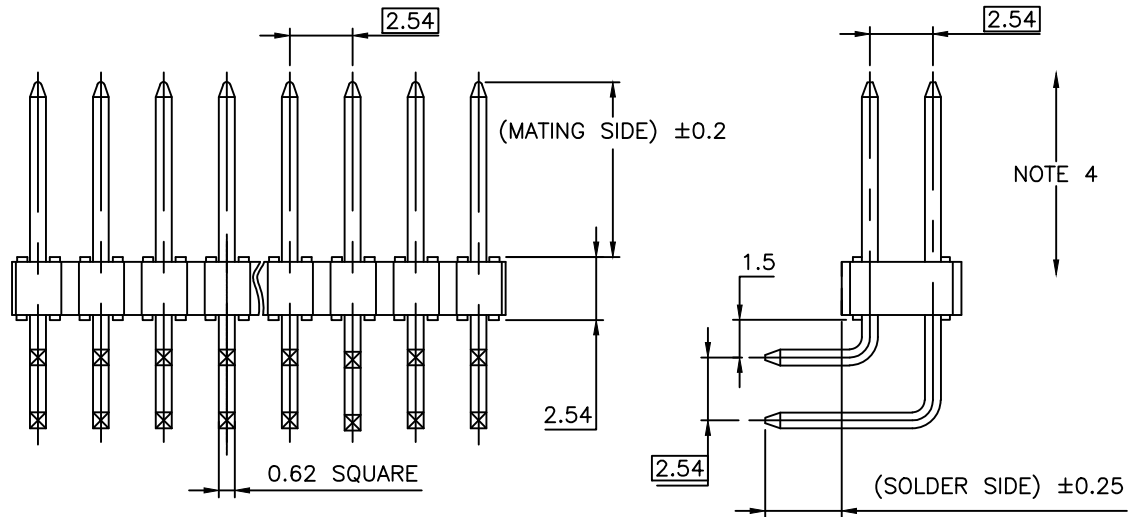
77317-YXX-XXLF

- RoHS COMPATIBLE  
SEE NOTE 7
- TOTAL NB OF POSITIONS 04 TO 72
- PIN STYLE SEE SHEET 2
- PLATING SEE SHEET 2



NOTES:

1. HOUSING MAT'L : HIGH TEMPERATURE THERMOPLASTIC. UL94V-0 COLOR: BLACK
2. PIN MATERIAL : PHOSPHOR BRONZE
3. STANDARD PACKAGING IN POLYBAG
4. 9N MIN RETENTION IN EITHER DIRECTION
5. TO DETERMINE DIMENSIONS :  
N = NUMBER OF POSITIONS PER ROW  
EXAMPLE : 8 POS  $N \times 2.54 = 20.32\text{mm}$
6. UNDERPLATING : 1.27µm Ni MIN
7. RoHS COMPATIBLE PRODUCT SPECIFICATIONS
  - a - PLATING:
    - "LF" MEANS THE PRODUCT IS LEAD-FREE, 2µm MINIMUM MATTE TIN OVER 1.27µm MINIMUM NICKEL UNDERPLATE.
  - b - MANUFACTURING PROCESS COMPATIBILITY
    - THE HOUSING WILL WITHSTAND EXPOSURE TO 260°C ±5°C SOLDER BATH TEMPERATURE FOR 5 SECONDS IN A WAVE SOLDER APPLICATION WITH A 1.6mm MIN THICK CIRCUIT BOARD.
  - c - LABELING:
    - MEETS PACKAGING SPECS AS PER GS-14-920
  - d - LEGAL STATEMENT: SEE GS-47-0004



mat'l. code SEE NOTES		surface ISO 1302 ✓ ISO 406 ISO 1101		tolerance ISO 406 ISO 1101		projection mm		product family BERGSTIK	
ltr ecn no dr date		tolerances unless otherwise specified		.X ±0.3		mm		title UNSHR.HEADER RA DR TMT	
AH B-18916 LMU 14.09.29		angles		.XX ±0.15		scale 5:1		dwg no 77317	
AJ B-19783 AMA 14.12.18		linear		.XXX ±0.05		FCJ		sheet 1 of 2 size A3	
AK B-21242 AMA 15.06.25		dr		D.LE 01.01.24		type CUSTOMER Drawing			
AE F08-0148 RTR 08.03.31		enrg		JM.C 01.01.24					
AF F09-0212 LMU 09.11.03		chr		JM.C 01.01.24					
AG F11-0320 LMU 12.01.25		appd		JF.N 01.01.24					
sheet revision AK AG		index sheet 1 2							

Copyright FCJ  
 FCJconnect.com

PLATING

- 1 = 0.76µm GOLD/GXT ON CONTACT AREA, 2µm TIN MIN ON TAIL
- 4 = 2µm TIN MIN FULL PLATED
- 5 = 0.25µm GOLD/GXT ON CONTACT AREA, 2µm TIN MIN ON TAIL
- 8 = 0.38µm GOLD/GXT ON CONTACT AREA, 2µm TIN MIN ON TAIL
- G = 0.76µm FULL GXT
- S = 0.38µm FULL GXT
- 1.27µm NICKEL MIN UNDERLAYER FOR ALL PLATING VERSIONS

PRODUCTS SPECIFICATIONS		
PIN STYLE	MATING	SOLDER
01	5.72	2.57
03	5.84	2.54
04	5.84	3.05
12	6.80	3.05
14	10.00	2.70
15	7.00	16.40
16	7.80	13.50
17	7.48	1.60
18	8.80	2.90
19	2.60	2.60
20	N/A	
21	10.89	3.05
22	3.51	3.51



Copyright FCJ

mat'l. code		surface		tolerance		projection		product family		
SEE NOTES		ISO 1302 ✓		ISO 406 ISO 1101				BERGSTIK		
ltr	ecn no	dr	date	tolerances unless otherwise specified			title			
AG	B-21242	AMA	15.06.25	angles	linear	.X ±0.3			UNSHR.HEADER	
						.XX ±0.15	scale 5:1		RA DR TMT	
AB	F06-0263	LMU	06.10.27			.XXX ±0.05			dwg no	
AC	F08-0148	RTR	08.03.31	dr	D.LE	01.01.24			sheet 2 of	
AD	F09-0212	LMU	09.11.03	enr	JM.C	01.01.24			77317	
AE	F11-0320	LMU	12.01.25	chr	JM.C	01.01.24			A3	
AF	B-18916	LMU	14.09.29	appd	JF.N	01.01.24			type	
sheet index		revision sheet						CUSTOMER Drawing		

## X-ON Electronics

Largest Supplier of Electrical and Electronic Components

*Click to view similar products for [Headers & Wire Housings](#) category:*

*Click to view products by [Amphenol](#) manufacturer:*

Other Similar products are found below :

[892-18-020-10-001101](#) [58102-G61-06LF](#) [582553-1](#) [0009485154](#) [009176003701906](#) [0050291907](#) [LY20-4P-DT1-P1E-BR](#) [02.125.8002.8](#)  
[609-3404](#) [61062-3](#) [622-0430](#) [622-3653LF](#) [63453-116](#) [636-1030](#) [636-1427](#) [636-3427](#) [636-4007](#) [641938-9](#) [641991-4](#) [644827-2](#) [65817-010LF](#)  
[65817-015LF](#) [65863-015LF](#) [66207-023LF](#) [67095-007LF](#) [67601157](#) [68648-049](#) [70.362.1628.0](#) [70-4210](#) [70-4226B](#) [70-4853B](#) [707-5020](#) [707-](#)  
[5028](#) [71.350.2428.0](#) [71918-208LF](#) [71961-016LF](#) [733-134](#) [733-162](#) [754199-000](#) [760-3052](#) [787-8014-00](#) [79531-3000](#) [FCN-360C032-B](#) [FCN-](#)  
[367T-T012/H](#) [FCN-723D010/2](#) [80.063.4001.1](#) [800-90-001-10-001000](#) [800-90-010-10-002000](#) [801-43-002-10-013000](#) [801-43-006-10-002000](#)