

PRODUCT NUMBER

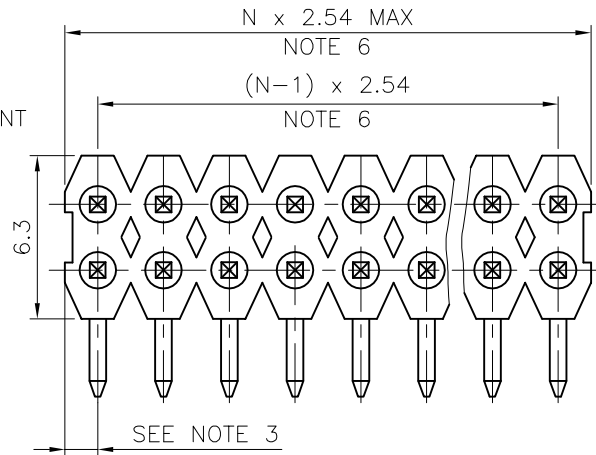
77319-YXX-XXLF

WHEN REQUIRED, ADD SUFFIX LETTER "LF" INDICATES THE PRODUCT IS RoHS COMPLIANT & COMPATIBLE, SEE NOTE 7

TOTAL NB OF POSITIONS 04 TO 72

PIN STYLE SEE SHEET 2

PLATING SEE SHEET 2



NOTES:

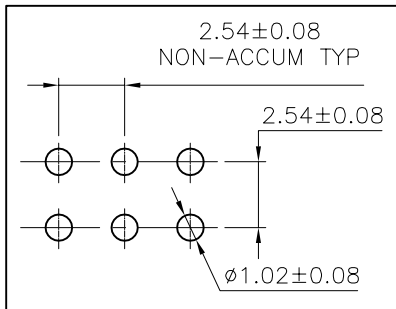
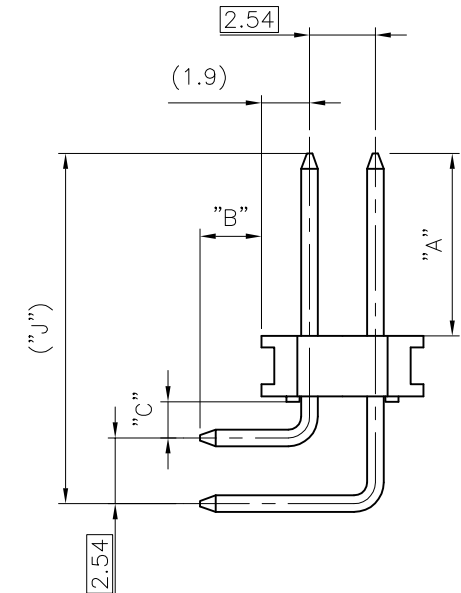
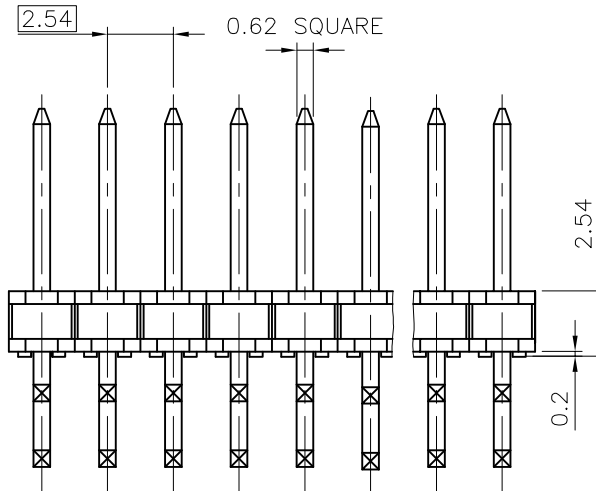
- HOUSING MAT'L : HIGH TEMPERATURE THERMOPLASTIC. UL94V-0 COLOR: BLACK
- PIN MATERIAL : PHOSPHOR BRONZE
- DIM $1.27^{+0.03}_{-0.13}$ FOR MOULDED SIDE(S) ONLY. IF SIDE(S) ARE BROKEN, DIM 1.02 TO 1.7 MAX APPLIES.

- PRODUCT PACKAGED IN POLY BAGS.
- 9N MIN RETENTION IN EITHER DIRECTION

6. TO DETERMINE DIMENSIONS :
N = NUMBER OF POSITIONS PER ROW
EXAMPLE : 8 POS $N \times 2.54 = 20.32\text{mm}$

7. RoHS COMPATIBLE PRODUCT SPECIFICATIONS

- a - MANUFACTURING PROCESS COMPATIBILITY
 - THE HOUSING WILL WITHSTAND EXPOSURE TO $260^{\circ}\text{C} \pm 5^{\circ}\text{C}$ SOLDER BATH TEMPERATURE FOR 5 SECONDS IN A WAVE SOLDER APPLICATION WITH A 1.6mm MIN THICK CIRCUIT BOARD.
- b - LABELLING:
 - MEETS PACKAGING SPECS AS PER GS-14-920
- c - LEGAL STATEMENT : SEE GS-22-008



RECOMMENDED HOLE PATTERN

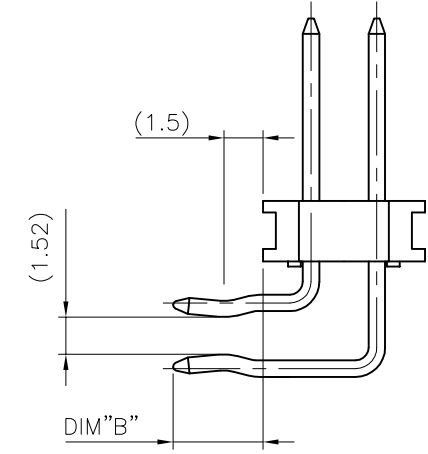
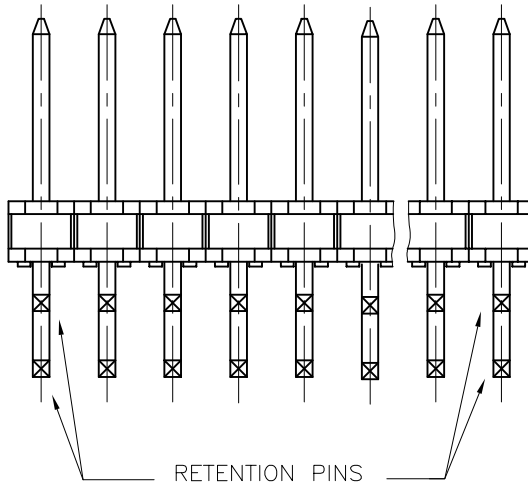
mat'l. code		surface		tolerance		projection		product family	
		ISO 1302		ISO 406 ISO 1101		mm		BSTIK	
ltr	ecn no	dr	date	tolerances unless otherwise specified		mm		title	
R	F08-0148	RTR	08.03.31			scale 5:1		HEADER RA,DR, WIDE BODY 2.54mm	
S	F11-0036	JCO	10.03.14	linear				sheet 1 of 2	
L	F00837	LMU	00.11.10	dr	COMPAGNON J	95.11.15	size		
M	F03-0201	LMU	03.04.23	enrg	JMC	95.11.15	A3		
N	F05-0186	LMU	05.06.09	chr			77319		
P	F06-0207	LMU	06.07.27	appd	JMC	95.11.15	type		
sheet index		revision sheet		S	P	CUSTOMER Drawing			
				1	2				



FCIconnect.com

Copyright FCI

PIN STYLE	PRODUCT DIMENSIONS			
	"A" ±0.15	"B" ±0.35	("C") REF	("J") REF
03	8.08	2.93	1.52	14.68
04	5.84	2.83	1.52	12.44



OPTION LETTER "R"
FOR RETENTION

77319-YXXRXX(LF)

NOTES:

- 4 PINS USED FOR RETENTION FEATURE ,2 AT EACH END
- RETENTION FEATURE ONLY AVAILABLE WHEN DIM "B" IS BETWEEN 2.9 AND 3.5mm.

77319-9XX-XXLF	0.2µm Au	2.0-7.5 Sn MATTE
77319-8XX-XXLF	0.38µm Au/GXT	2.0-7.5 Sn MATTE
77319-2XX-XXLF	1.27µm Au	2.0-7.5 Sn MATTE
77319-1XX-XXLF	0.76µm Au/GXT	2.0-7.5 Sn MATTE
77319-1XXSXXLF	0.76µm Au/GXT	GOLD FLASH

77319-9XX-XX	0.2µm Au	4µm SnPb
77319-8XX-XX	0.38µm Au/GXT	4µm SnPb
77319-2XX-XX	1.27µm Au	4µm SnPb
77319-1XX-XX	0.76µm Au/GXT	4µm SnPb
77319-1XXSXX	0.76µm Au/GXT	GOLD FLASH
PLATING CODE	CONTACT AREA	REMAINDER
	PLATING THICKNESS OVER 1.27µm Ni	

mat'l. code		surface	tolerance	projection	product family
		ISO 1302	ISO 406 ISO 1101		BSTIK
ltr	ecn no	dr	date	title	
H	F10407	JMC	91.05.24	HEADER RA,DR, WIDE BODY 2.54mm	
J	F50847	JMC	95.11.15	mm	
K	F60884	OMA	96.12.05	scale 5:1	
L	F00837	LMU	00.11.10	dwg no	
M	F05-0186	LMU	05.06.09	sheet 2 of - size	
N	F06-0207	LMU	06.07.27	77319 A3	
P	F08-0148	RTR	08.03.31	type CUSTOMER Drawing	
sheet index	revision sheet				

X-ON Electronics

Largest Supplier of Electrical and Electronic Components

Click to view similar products for [Headers & Wire Housings](#) category:

Click to view products by [Amphenol](#) manufacturer:

Other Similar products are found below :

[892-18-020-10-001101](#) [58102-G61-06LF](#) [582553-1](#) [0009485154](#) [009176003701906](#) [0050291907](#) [LY20-4P-DT1-P1E-BR](#) [02.125.8002.8](#)
[609-3404](#) [61062-3](#) [622-0430](#) [622-3653LF](#) [63453-116](#) [636-1030](#) [636-1427](#) [636-3427](#) [636-4007](#) [641938-9](#) [641991-4](#) [644827-2](#) [65817-010LF](#)
[65817-015LF](#) [65863-015LF](#) [66207-023LF](#) [67095-007LF](#) [67601157](#) [68648-049](#) [70.362.1628.0](#) [70-4210](#) [70-4226B](#) [70-4853B](#) [707-5020](#) [707-5028](#) [71.350.2428.0](#) [71918-208LF](#) [71961-016LF](#) [733-134](#) [733-162](#) [754199-000](#) [760-3052](#) [787-8014-00](#) [79531-3000](#) [FCN-360C032-B](#) [FCN-367T-T012/H](#) [FCN-723D010/2](#) [80.063.4001.1](#) [800-90-001-10-001000](#) [800-90-010-10-002000](#) [801-43-002-10-013000](#) [801-43-006-10-002000](#)