

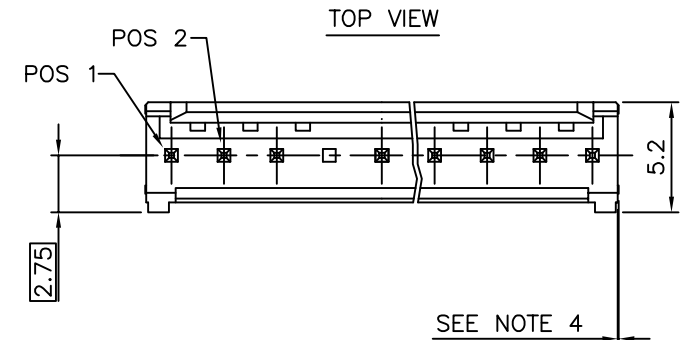
PRODUCT NUMBER
77773-YXXLF

RoHS COMPATIBLE, SEE NOTE 7

PLATING

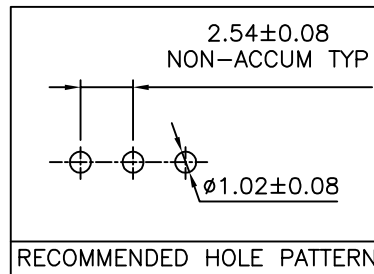
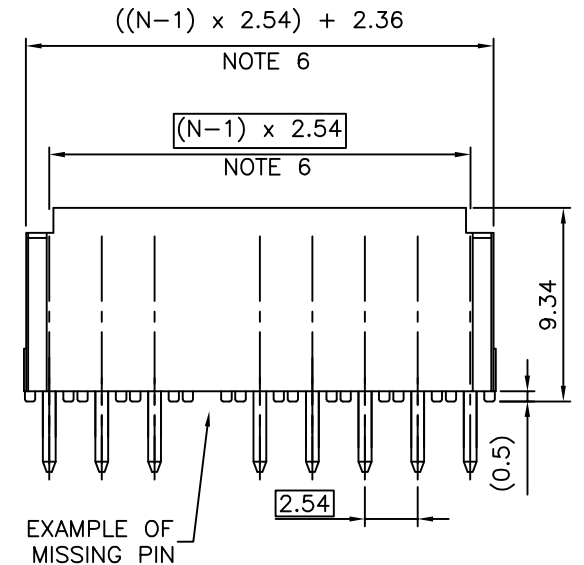
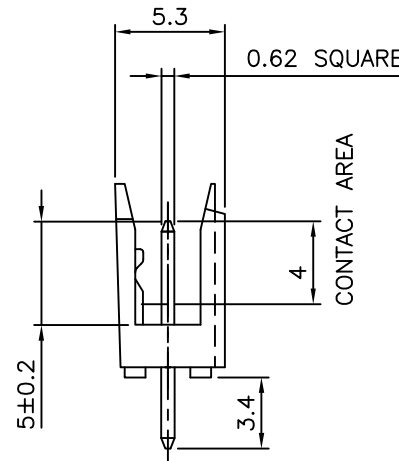
3=0.76µm GOLD/GXT ON CONTACT AREA
2µm MIN MATTE TIN ON TAIL
4=2µm MIN MATTE TIN FULL PLATED
1.27µm Ni MIN UNDERPLATING

STYLE	SIZE	OMIT PIN POSITION FROM TOP VIEW
01	1x09	2
02	1x35	4;5;6;7;8;12;13;14;15;16;20;21;22;23;24;28;32
03	1x21	2;4;6;8;10;12;14;16;18;20;21
04	1x21	1;2;4;6;8;10;12;14;16;18;20
05	1x10	8
06	1x06	1
07	1x08	7
08	1x04	2
09	1x04	3
12	1x21	2;4;6;8;10;12;14;16;18;20
13	1x05	2;4
14	1x03	2
15	1x25	1;3;5;7;9;11;13;15;17;19;21;23;25



NOTES:

- BODY MATERIAL: POLYESTER 30% GLASSFILLED COLOR BLUE, FLAME RETARDANT PER UL-94 V0.
- CONTACT MATERIAL: PHOSPHOR BRONZE.
- 15N MIN PIN RETENTION IN EITHER DIRECTION
- 0.6 MAX PROTRUSION PERMITTED AT 4 PLACES
- PACKAGING :
- POLYBAGS FROM 02 TO 06 POSITIONS
- TUBE FROM 07 TO 36 POSITIONS
- TO DETERMINE DIMENSIONS :
N = NUMBER OF POSITIONS PER ROW
EXAMPLE : 8 POS N x 2.54 = 20.32mm
- RoHS COMPATIBLE PRODUCT SPECIFICATIONS
 - PLATING:
- "LF" MEANS THE PRODUCT IS LEAD-FREE, 2µm MINIMUM MATTE TIN OVER 1.27µm MINIMUM NICKEL UNDERPLATE.
 - MANUFACTURING PROCESS COMPATIBILITY
- THE HOUSING WILL WITHSTAND EXPOSURE TO 245°C ±5°C SOLDER BATH TEMPERATURE FOR 5 SECONDS IN A WAVE SOLDER APPLICATION WITH A 1.6mm MIN THICK CIRCUIT BOARD.
 - LABELING:
- MEETS PACKAGING SPECS AS PER GS-14-920
 - LEGAL STATEMENT: SEE GS-47-0004



mat'l. code SEE P/N		surface ISO 1302	tolerance ISO 406 ISO 1101	projection mm	product family DUBOX HDR
ltr	ecn no	dr	date	tolerances unless otherwise specified	title
V	F08-0147	YOV	08.04.14	.X ±0.3	DUBOX,SR,STR SELECTIVELY LOADED
W	F09-0028	LMU	09.03.11	.XX ±0.15	
X	B-19285	AMA	14.11.03	.XXX ±0.05	scale 4:1
Y	F-21810	AMA	15.06.19	dr COMPAGNON J 95.03.06	FCJ
AA	F-22862	LMU	15.12.22	engr PHAMVAN JM 95.03.06	
U	F06-0228	LMU	06.07.11	chr JMC 95.04.04	sheet 1 of 1 size
sheet index	revision sheet			appd JMP 95.04.04	77773 A3
					type CUSTOMER Drawing

X-ON Electronics

Largest Supplier of Electrical and Electronic Components

Click to view similar products for [Headers & Wire Housings](#) category:

Click to view products by [Amphenol](#) manufacturer:

Other Similar products are found below :

[892-18-020-10-001101](#) [58102-G61-06LF](#) [582553-1](#) [0009485154](#) [009176003701906](#) [0050291907](#) [LY20-4P-DT1-P1E-BR](#) [02.125.8002.8](#)
[609-3404](#) [61062-3](#) [622-0430](#) [622-3653LF](#) [63453-116](#) [636-1030](#) [636-1427](#) [636-3427](#) [636-4007](#) [641938-9](#) [641991-4](#) [644827-2](#) [65817-010LF](#)
[65817-015LF](#) [65863-015LF](#) [66207-023LF](#) [67095-007LF](#) [67601157](#) [68648-049](#) [70.362.1628.0](#) [70-4210](#) [70-4226B](#) [70-4853B](#) [707-5020](#) [707-](#)
[5028](#) [71.350.2428.0](#) [71918-208LF](#) [71961-016LF](#) [733-134](#) [733-162](#) [754199-000](#) [760-3052](#) [787-8014-00](#) [79531-3000](#) [FCN-360C032-B](#) [FCN-](#)
[367T-T012/H](#) [FCN-723D010/2](#) [80.063.4001.1](#) [800-90-001-10-001000](#) [800-90-010-10-002000](#) [801-43-002-10-013000](#) [801-43-006-10-002000](#)