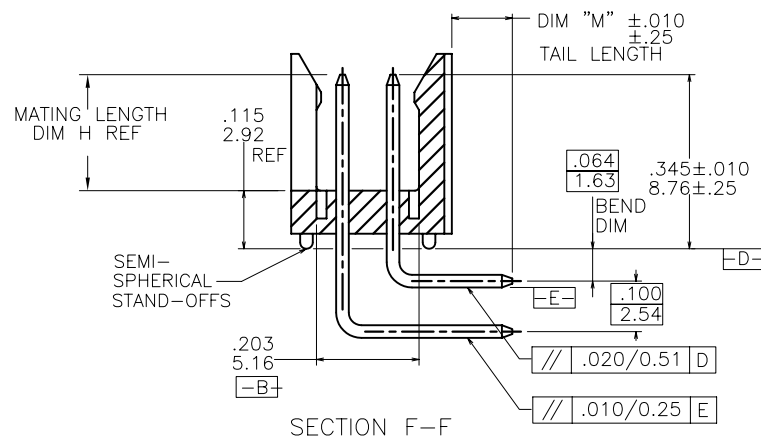
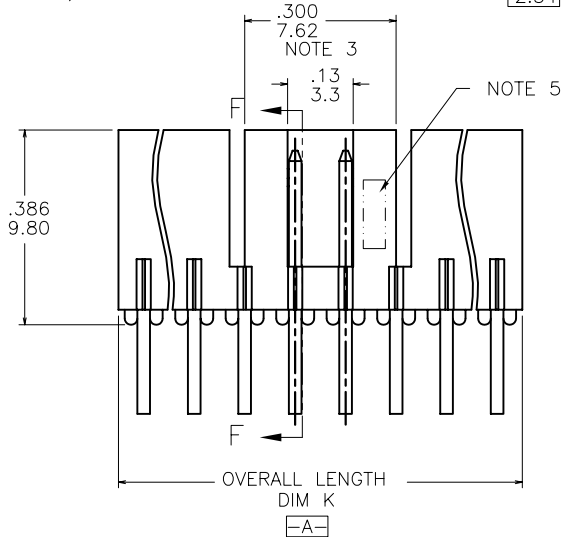
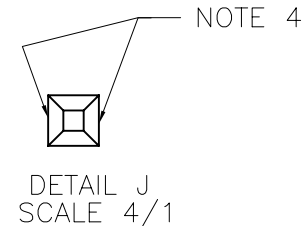
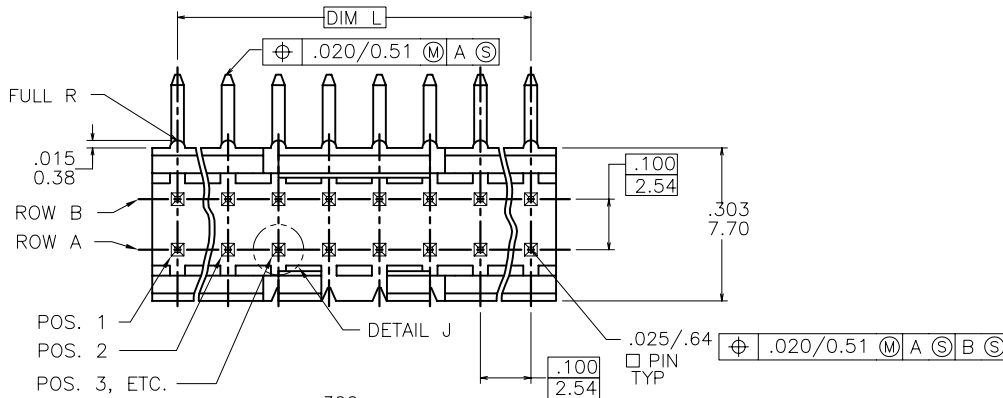


PRODUCT NO.
78207-XXYZHLF

- LEAD FREE OPTION - NOTE 8, 9, 10
- CUSTOMER SPECIALS - NOTE 7
- TUBE PACKAGING OPTION - NOTE 6
- NO. OF POSITIONS
SEE TABLE
- PIN PLATING
BASE P/N



mat'l. code				surface ISO 1302	tolerance ISO 406 ISO 1101	projection ISO 1006	product family HEADER
ltr	ec'n no	dr	date	tolerances unless otherwise specified		INCH/MM	title FRICITION LATCH HEADER DOUBLE ROW, R/A
J	v71470	HTB	10/09/97	angles	linear	scale 3:1	dwg no 78207
K	v71643	HTB	12/04/97				sheet 1 of 2 size A3
L	v12717	GIP	11/16/01	0°±2'	XXXX±.0020/XXX±0.05		type Product Customer Drawing
M	v03-0352	GJP	03/25/03	dr	S.ROYER	01/21/94	
N	M05-0134	ERE	06/15/05	engr	L.FYE	01/21/94	
P	M06-0256	MHT	9/07/06	chr	L.FYE	01/21/94	
R	M08-0023	MHT	1/28/08	appd	L.FYE	01/21/94	
sheet	revision	R	R				
index	sheet	1	2				

PRODUCT NUMBER	NO OF POS	MATING LENGTH DIM H	OVERALL LENGTH DIM K	DIM L	TAIL LENGTH DIM "M"
78207-X06	2 X 3	.230/5.84	.300/7.62	.200/5.08	.120/3.05
-X08	2 X 4	.230/5.84	.400/10.16	.300/7.62	
-X10	2 X 5	.230/5.84	.500/12.70	.400/10.16	
-X12	2 X 6	.230/5.84	.600/15.24	.500/12.70	
-X14	2 X 7	.230/5.84	.700/17.78	.600/15.24	
-X16	2 X 8	.230/5.84	.800/20.32	.700/17.78	
-X18	2 X 9	.230/5.84	.900/22.86	.800/20.32	
-X18A	2 X 9	.210/5.33	.900/22.86	.800/20.32	
-X20	2 X 10	.230/5.84	1.000/25.40	.900/22.86	
-X22	2 X 11	.230/5.84	1.100/27.94	1.000/25.40	
-X24	2 X 12	.230/5.84	1.200/30.48	1.100/27.94	
-X26	2 X 13	.230/5.84	1.300/33.02	1.200/30.48	
-X28	2 X 14	.230/5.84	1.400/35.56	1.300/33.02	
78207-X30	2 X 15	.230/5.84	1.500/38.10	1.400/35.56	.120/3.05
78207-X32 THRU 78207-X72	UNAVAILABLE				
78207-X80	2 X 4	.230/5.84	.400/10.16	.300/7.62	.100/2.54

NOTE 7

- NOTES:
- MOLDING MAT'L: GLASS REINFORCED PCT, COLOR: BLACK
FLAME RETARDANT PER UL 94 V-0
MAXIMUM OPERATING TEMPERATURE: 130° C.
 - PIN MATERIAL: 3/4 HD PHOS. BRZ.
 - NO SLOTS ON 2 X 5 POSITION OR SMALLER PRODUCT. THE CENTER KEY SLOT WILL BE ON ALL HEADERS REGARDLESS OF SIZE.
 - TWO NON-CRITICAL SIDES OF PIN TIP NOT PLATED, BOTH ENDS.
 - COMPANY LOGO MAY APPEAR IN THIS AREA.
 - "T" ATTACHED TO THE P/N INDICATES PARTS ARE TO BE PACKAGED IN TUBES.
 - CUSTOMER SPECIAL -- "A" SUFFIX INDICATES 0.210/5.33 MATING LENGTH.
 - ADD "HLF" SUFFIX AT THE END OF PART NUMBER FOR LEAD FREE OPTION, NOT AVAILABLE FOR -5YY, -5YYH, -6YY & -6YYH.
 - PART NUMBERS WITH "H" SUFFIX WILL WITHSTAND EXPOSURE TO 260°C PEAK TEMPERATURE FOR 20 SECONDS IN WAVE SOLDER, INFRA-RED OR VAPOR PHASE SOLDER PROCESS.

PART NUMBERS WITHOUT "H" SUFFIX WILL WITHSTAND EXPOSURE TO 260°C PEAK TEMPERATURE FOR WAVE SOLDER PROCESS.
 - THIS PRODUCT MEETS EUROPEAN UNION DIRECTIVES AND OTHER COUNTRY REGULATION AS DESCRIBED IN GS-22-008.
 - PLATING OPTIONS:
MAY BE EITHER GOLD OR GXT PLATED AT MANUFACTURER'S OPTION.
 - "THIS PRODUCT HAS 100% TIN PLATING IN THE INTERFACE AND HAS NOT BEEN TESTED FOR WHISKER GROWTH IN ALL INTERCONNECT ENVIRONMENTS."

FCJ
FCconnect.com
Copyright FCJ

PIN PLATING CODES	
-1YY	30u"/.76u (SEE NOTE 11) 50u"/1.27u Ni
-2YY	15u"/.38u (SEE NOTE 11) 50u"/1.27u Ni
-3YY	50u"/1.27u Au 50u"/1.27u Ni
-4YY	100u"/2.54u MIN Sn 50u"/1.27u Ni (SEE NOTE 12)
-4YYHLF	
-5YY	15u"/.38u (SEE NOTE 11) 50u"/1.27u Ni
-6YY	30u"/.76u (SEE NOTE 11) 50u"/1.27u Ni
-7YY	30u"/.76u Au OVER 50u"/1.27u Ni
-8YY	15u"/.38u Au OVER 50u"/1.27u Ni

mat'l. code		surface ISO 1302	tolerance ISO 406 ISO 1101	projection	product family HEADER
ltr	ecn no	dr	date	tolerances unless otherwise specified	title
R				angles linear XX±.01/XX±0.3 XXX±.005/XX±0.13 XXXX±.0020/XXX±0.05	FRICION LATCH HEADER DOUBLE ROW, R/A
				0°±2'	INCH/MM scale 3:1
		dr	S.ROYER	01/21/94	dwg no
		enr	L.FYE	01/21/94	sheet 2 of 2 size
		chr	L.FYE	01/21/94	78207
		appd	L.FYE	01/21/94	A3
sheet	revision				type
index	sheet				Product Customer Drawing

X-ON Electronics

Largest Supplier of Electrical and Electronic Components

Click to view similar products for [Headers & Wire Housings](#) category:

Click to view products by [Amphenol](#) manufacturer:

Other Similar products are found below :

[892-18-020-10-001101](#) [58102-G61-06LF](#) [582553-1](#) [0009485154](#) [009176003701906](#) [0050291907](#) [LY20-4P-DT1-P1E-BR](#) [02.125.8002.8](#)
[609-3404](#) [61062-3](#) [622-0430](#) [622-3653LF](#) [63453-116](#) [636-1030](#) [636-1427](#) [636-3427](#) [636-4007](#) [641938-9](#) [641991-4](#) [644827-2](#) [65817-010LF](#)
[65817-015LF](#) [65863-015LF](#) [66207-023LF](#) [67095-007LF](#) [67601157](#) [68648-049](#) [70.362.1628.0](#) [70-4210](#) [70-4226B](#) [70-4853B](#) [707-5020](#) [707-](#)
[5028](#) [71.350.2428.0](#) [71918-208LF](#) [71961-016LF](#) [733-134](#) [733-162](#) [754199-000](#) [760-3052](#) [787-8014-00](#) [79531-3000](#) [FCN-360C032-B](#) [FCN-](#)
[367T-T012/H](#) [FCN-723D010/2](#) [80.063.4001.1](#) [800-90-001-10-001000](#) [800-90-010-10-002000](#) [801-43-002-10-013000](#) [801-43-006-10-002000](#)