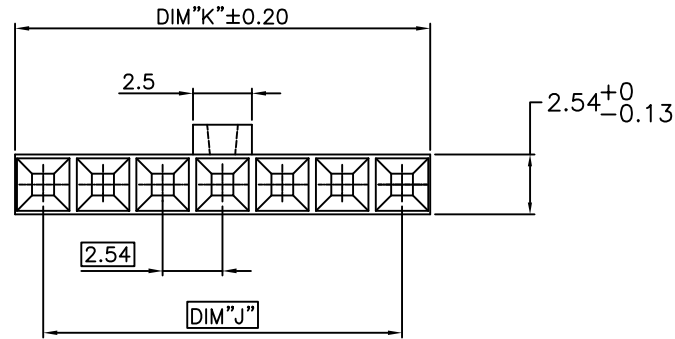
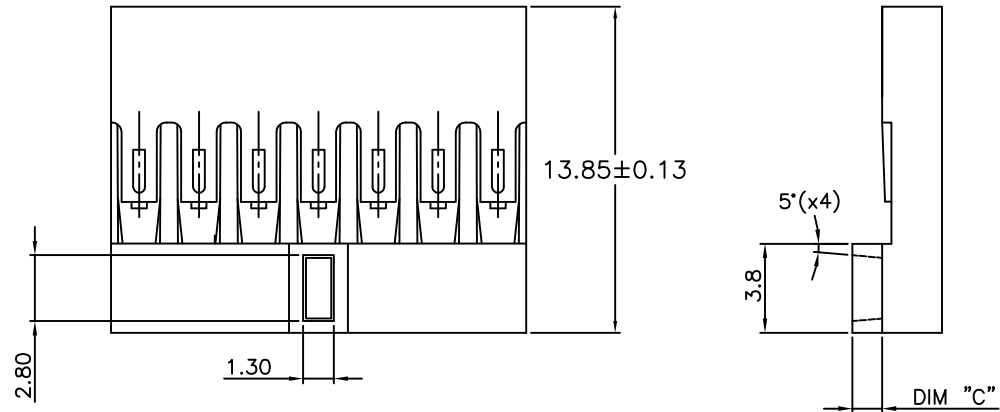


PRODUCT NUMBER	NO. OF POS	DIM K	DIM L	DIM C	DIM W DIM Z
78211-003LF	3	7.47	5.08	1.35	0.05
78211-004LF	4	10.01	7.62	1.35	0.05
78211-005LF	5	12.55	10.16	1.35	0.05
78211-006LF	6	15.09	12.70	1.35	0.10
78211-007LF	7	17.63	15.24	1.35	0.10
78211-008LF	8	20.17	17.78	1.35	0.10
78211-009LF	9	22.71	20.32	1.35	0.10
78211-010LF	10	25.25	22.86	1.35	0.10
78211-011LF	11	27.79	25.40	1.35	0.15
78211-012LF	12	30.33	27.94	1.35	0.15
78211-013LF	13	32.87	30.48	1.35	0.15
78211-014LF	14	35.81	33.02	1.35	0.15
78211-015LF	15	37.95	35.56	1.35	0.15
78211-103LF	3	7.47	5.08	2.54	0.05
78211-105LF	5	12.55	10.16	2.54	0.05
78211-106LF	6	15.09	12.70	2.54	0.10



NOTES:

- MOLDING MATERIAL : MODIFIED POLYPHELYNENE
COLOR BLACK, UL 94 V0
- LATCH MUST WITHSTAND 18N MIN PULL OUT FORCE
- STANDARD PACKAGING IN POLYBAGS
- TERMINALS MUST BE CRIMPED PROPERLY FOR SATISFACTORY LATCHING :
- FOR CRIMPING INSTRUCTIONS, SEE TA-75 AND TA-295
- FOR TERMINAL APPLICATION SEE TA-531.
PRODUCT SPECIFICATION: BUS-12-067.
- THIS HOUSING IS INTENDED FOR USE WITH MINI PV TERMINAL WITH 22-36 GAUGE WIRE
- RoHS COMPLIANT PRODUCT SPECIFICATIONS :
- MEETS PACKAGING SPECS AS PER GS-14-920
- PRODUCT MEETS EUROPEAN UNION DIRECTIVES AND OTHER COUNTRY REGULATIONS AS DESCRIBED IN GS-22-008.
- THE PRODUCT IS NOT INTENDED TO BE EXPOSED TO A MANUFACTURING SOLDER PROCESS.

mat'l. code 10036738		surface ISO 1302	tolerance ISO 406 ISO 1101	projection mm	product family BERGCON
ltr	ecn no	dr	date	tolerances unless otherwise specified	title
K	V07-0533	HTB	07.08.21	.X ±0.3	MINI LATCH HOUSING SR POLARIZED
L	B-14321	LMU	13.03.21	.XX ±0.13 .XXX ±0.05	
				scale 5:1	dwg no
				dr L.MULIN 13.03.21	sheet 1 of 1 size
				enr L.MULIN 13.03.21	78211 A3
				chr J.COMPAGNON 13.03.21	type CUSTOMER Drawing
				appd LMU 13.03.21	
sheet index	revision sheet				

X-ON Electronics

Largest Supplier of Electrical and Electronic Components

Click to view similar products for [Headers & Wire Housings](#) category:

Click to view products by [Amphenol](#) manufacturer:

Other Similar products are found below :

[892-18-020-10-001101](#) [58102-G61-06LF](#) [582553-1](#) [0009485154](#) [009176003701906](#) [0050291907](#) [LY20-4P-DT1-P1E-BR](#) [02.125.8002.8](#)
[609-3404](#) [61062-3](#) [622-0430](#) [622-3653LF](#) [63453-116](#) [636-1030](#) [636-1427](#) [636-3427](#) [636-4007](#) [641938-9](#) [641991-4](#) [644827-2](#) [65817-010LF](#)
[65817-015LF](#) [65863-015LF](#) [66207-023LF](#) [67095-007LF](#) [67601157](#) [68648-049](#) [70.362.1628.0](#) [70-4210](#) [70-4226B](#) [70-4853B](#) [707-5020](#) [707-](#)
[5028](#) [71.350.2428.0](#) [71918-208LF](#) [71961-016LF](#) [733-134](#) [733-162](#) [754199-000](#) [760-3052](#) [787-8014-00](#) [79531-3000](#) [FCN-360C032-B](#) [FCN-](#)
[367T-T012/H](#) [FCN-723D010/2](#) [80.063.4001.1](#) [800-90-001-10-001000](#) [800-90-010-10-002000](#) [801-43-002-10-013000](#) [801-43-006-10-002000](#)