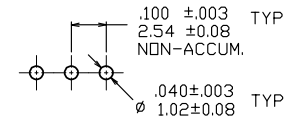
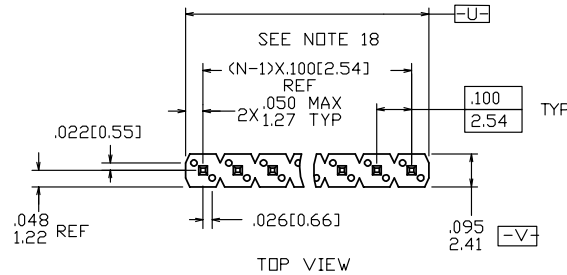


PRODUCT NUMBER

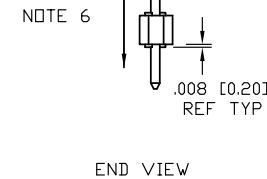
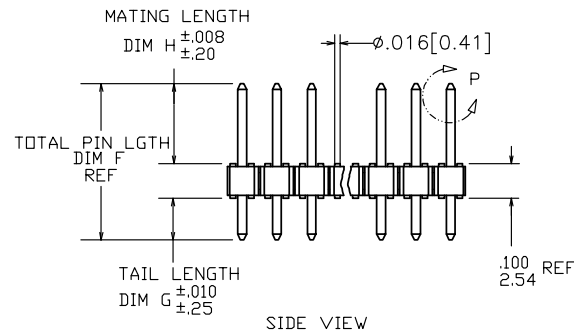
XXXXX-YYHTLF

- LEAD FREE OPTION (SEE NOTES 1)
- PACKAGING OPTIONS (SEE NOTE 1)
- HIGH TEMPERATURE PLASTIC (SEE NOTE 1)
- NO OF POSITIONS (SEE NOTE 1)
- PIN PLATING (SEE SHEET 2)
- BASE PART NO.



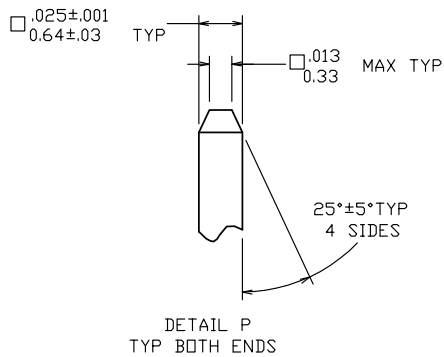
68000-X XX-XXX XXX LF

- TAIL LENGTH (EXAMPLE BELOW) 3.0mm=030 12.8mm=128 (SEE NOTE 15 & 16)
- MATING LENGTH (EXAMPLE BELOW) 5.0mm=050 25.5mm=255 (SEE NOTE 15 & 16)
- TOTAL NUMBER OF POSITION FROM 1 THRU 36 POS. (SEE NOTE 1)
- PIN PLATING (SEE NOTE 13) 1=0.76µm Au 4= PURE TIN 8=0.36µm Au
- BASE PART NO.

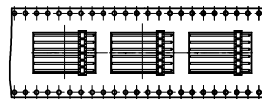


⊕ ∅.020/.51 (M) U (M) V (S)

NOTE 4



USER DIRECTION



PACKAGE: ONLY FOR 68000-406160035ALF

mat'l. code NOTES 2 & 3		surface ISO 1302 ✓		tolerance ISO 406 ISO 1101		projection INCH/MM		product family BERGSTIK	
ltr	ecn no	dr	date	tolerances unless otherwise specified		title		sheet 1 of 8 size	
CY	ELX-N-011895	JZ	2012-06-12	angles	linear	BERGSTIK® II HEADER		A3	
DA	ELX-N-16105	ZK	2013-10-22	0'±2'		.100/2.54cc SR STRAIGHT		68000	
DB	ELX-N-17329	ZK	2014-03-27			scale 1:1		type Product Customer Drawing	
DC	ELX-N-28578	MZ	2017-11-23	dr	T.BREWBAKER	01/05/95		Amphenol FCI	
				enrg	T.HANNA	01/05/95			
				chr	J.MURPHY	01/05/95			
				appd	T.HANNA	01/05/95			
sheet index	revision sheet	DC 1	DC 2	DC 3	DC 4	DC 5	DC 6	DC 7	DC 8

Amphenol FCI

© 2016 AFCI

PIN PLATING CODES:	
XXXX-1YY	30u"/0.76u MIN (SEE NOTE 13) OVER 50u"/1.27u MIN Ni
XXXX-2YY	15u"/0.38u MIN (SEE NOTE 13) OVER 50u"/1.27u MIN Ni
XXXX-3YY	50u"/1.27u MIN (SEE NOTE 13) OVER 50u"/1.27u MIN Ni
XXXX-4YY	100u"/2.54u MIN Sn OVER 50u"/1.27u MIN Ni (SEE NOTE 14)
XXXX-4YYHLF	
XXXX-5YY	15u"/0.38u MIN (SEE NOTE 13) OVER 50u"/1.27u MIN Ni
XXXX-6YY	30u"/0.76u MIN (SEE NOTE 13) OVER 50u"/1.27u MIN Ni
XXXX-7YY	30u"/0.76u MIN (SEE NOTE 13) OVER 50u"/1.27u MIN Ni
XXXX-8YY	15u"/0.38u MIN (SEE NOTE 13) OVER 50u"/1.27u MIN Ni
XXXX-9YY	15u"/0.38u MIN (SEE NOTE 13) OVER 50u"/1.27u MIN Ni
XXXX-0YY	30u"/0.76u MIN (SEE NOTE 13) OVER 50u"/1.27u MIN Ni

NOTES

1. PART NUMBER OPTIONS:

PIN PLATING CODES (SEE ABOVE)

HIGH TEMP. MATERIAL:

PART NUMBERS WITH AND WITHOUT "H" WILL BE SUPPLIED WITH HIGH TEMPERATURE PLASTIC

NUMBER OF POSITIONS :

ANY NUMBER OF POSITIONS FROM 1 THRU 36.
 -X00H INDICATES BERGSTRIIP PRODUCT. SEE PAGE 3 FOR SPECIAL GEOMETRY OF THIS CONTINUOUS STRIP PRODUCT.
 AUTOMATED REELS WILL CONTAIN 36,000 PINS.
 SEE SPECIFIC PART NUMBERS FOR AVAILABILITY.

PACKAGING :

NO INDICATOR IS STANDARD PACKAGING IN POLY BAGS.
 EIGHT DIGIT PART NUMBERS FOLLOWED BY A "T" ARE PACKAGED IN TUBES. SEE SPECIFIC PART NUMBERS FOR AVAILABILITY.
 EIGHT DIGIT PART NUMBERS FOLLOWED BY A "C" ARE PACKAGED IN TUBES WITH PICKUP CAP APPLIED. (NOT TOOLED)
 BERGSTRIIP PART NUMBERS FOLLOWED BY A "B" ARE BULK PRICED.
 EIGHT DIGIT PART NUMBERS FOLLOWED BY A "A" ARE PACKAGED IN TAPE AND REEL WITH PICKUP CAP APPLIED.

LEAD FREE :

ADD "LF" SUFFIX AT THE END OF PART NUMBER FOR LEAD FREE

2. BODY MATERIAL :

BERGSTIK: MANUFACTURER'S OPTION OF NYLON, PCT GLASS FIBER REINFORCED, OR LCP MINERAL FILLED FLAME RETARDENT PER UL-94V-0.
 COLOR : BLACK

BERGSTRIIP : PRODUCED WITH HIGH TEMPERATURE LCP THERMOPLASTIC, FLAME RETARDENT PER UL-94V-0.
 COLOR : BLACK

PART NUMBERS WITH AND WITHOUT "H" SUFFIX WILL WITHSTAND EXPOSURE TO 260°C PEAK TEMPERATURE FOR 20 SECONDS IN WAVE SOLDER, INFRA-RED OR VAPOR PHASE SOLDER PROCESS.

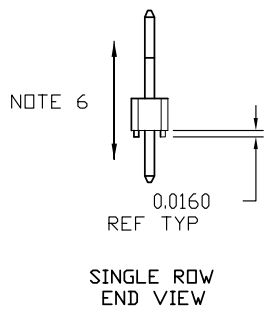
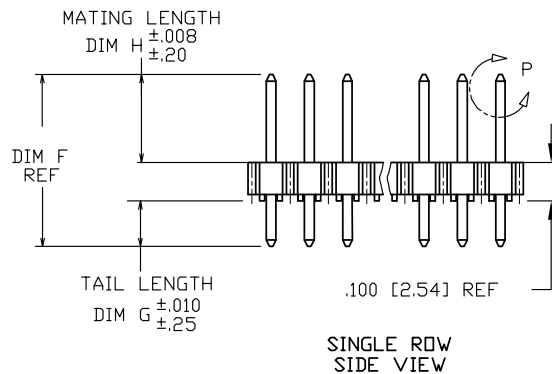
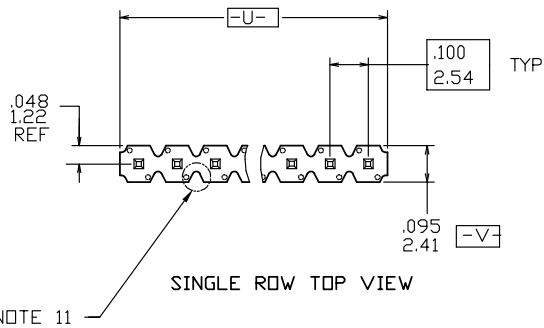
- 3. PIN MATERIAL : PHOS-BRONZE.
- 4. MEASURED WITH PART IN RESTRAINED CONDITION.
 5. TWO SIDES OF PIN TIPS NOT PLATED. TYPICAL BOTH ENDS.
- 6. 2LBS/0.9KG MIN PIN RETENTION IN EITHER DIRECTION.
- 7. PIN CANNOT PROTRUDE PAST EDGE OF HOUSING. MUST BE .005±.005/.13±.13 FROM END OF HOUSING HOLE.
- 8. MILITARY BERGSTIK HEADER
 P/N XXXXX-XY-MIL.
 NOT AVAILABLE.
- 9. ±.010/0.25 TOL APPLIES TO ALL "G" TAILS EXCEPT INDICATED PARTS ON TABLE WHERE +.010/0.25 -.000/0.00 APPLIES.
- 10. INDICATED PART NUMBERS ARE PRODUCED AND SOLD IN THE TAIWAN/SINGAPORE AREAS. THESE ARE NOT AVAILABLE IN BERGSTRIIP CONTINUOUS STRIP.
- 11. NOTCH CONFIGURATION WILL VARY PER VENDOR'S DISCRETION.
- 12. THESE PRODUCTS MEETS EUROPEAN UNION DIRECTIVES AND OTHER COUNTRY REGULATION AS DESCRIBED IN GS-22-008.
- 13. PLATING OPTIONS:
 PERFORMANCE PLATING WILL BE EITHER GOLD OR GXT ON POST OR TAIL, OPTIONALLY (78~295u"/2~7.5u) TIN ON TAIL.
- 14. "THIS PRODUCT HAS 100% TIN PLATING IN THE INTERFACE AND HAS NOT BEEN TESTED FOR WHISKER GROWTH IN ALL INTERCONNECT ENVIRONMENTS."
- 15. THE DAL DON'T EXCEED 34.5mm
- 16. INCREMENTS BY 0.1mm IN LENGTHS ONLY
- 17. FOR SPECIAL PACKAGING REQUEST PLEASE CONTACT PRODUCT MANAGER FOR AVAILABILITY
- 18. TO DETERMINE DIMENSIONS:
 N=NUMBER OF POSITION PER ROW
 EXAMPLE: 10 POS. N X .100/2.54
- 19. 68000-406160035ALF IS SPECIAL PART NUMBER, IT IS 6PIN, MATING LENGTH IS 16mm. TAIL LENGTH IS 3.5mm. AND PACKAGE IS TAPE AND REEL AND NO CAP.

Amphenol FCI

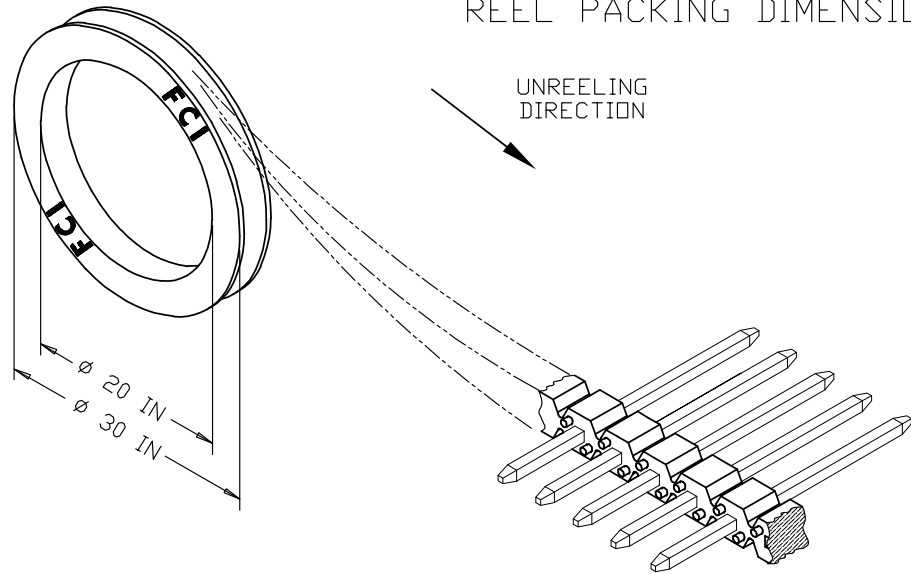
© 2016 AFCI

mat'l. code		surface		tolerance		projection		product family	
NOTES 2 & 3		ISO 1302		ISO 406		ISO 1101		BERGSTIK	
ltr	ecn no	dr	date	tolerances unless otherwise specified		INCH/MM		title	
DC				angles	linear	.XX±01/.X±.3		BERGSTIK® II HEADER	
				0'±2'		.XXX±0.006/.XX±.15		.100/2.54cc SR STRAIGHT	
						.XXX±0.002/.XXX±.005		scale 1:1	
		dr	T.BREWBAKER			01/05/95		dwg no	
		engr	T.HANNA			01/05/95		sheet 2 of 8 size	
		chr	J.MURPHY			01/05/95		68000	
		appd	T.HANNA			01/05/95		A3	
sheet index		revision sheet						type Product Customer Drawing	

BERGSTRIK™ HEADER



REEL PACKING DIMENSIONS



Amphenol FCI

© 2016 AFCI

mat'l. code NOTES 2 & 3		surface ISO 1302 ✓	tolerance ISO 406 ISO 1101	projection INCH/MM	product family BERGSTIK
ltr	ecn no	dr	date	tolerances unless otherwise specified XX±01/XX±.3 linear .XXX±0.006/XX±.15 0'±2' .XXX±0.0002/XXX±.005	title BERGSTIK® II HEADER .100/2.54cc SR STRAIGHT
DC				scale 1:1	dwg no 68000
				Amphenol FCI	sheet 3 of 8 size A3
					type Product Customer Drawing
sheet index	revision sheet				

PRODUCT NUMBER	TOTAL PIN LGTH		TAIL LENGTH		MATING LENGTH		PACKAGING	NOTES	BERGSTRIPTM	LF
	DIM F	DIM F	DIM G	DIM G	DIM H	DIM H			AVAILABLE	
	ENGLISH	METRIC	ENGLISH	METRIC	ENGLISH	METRIC				
55492-XYH	0.315	8.00	0.095	2.41	0.120	3.05	POLY BAGS		NO	DB
60017-XYH	0.620	15.75	0.210	5.33	0.310	7.87	POLY BAGS		NO	DB
60018-XYH	0.660	16.76	0.250	6.35	0.310	7.87	POLY BAGS		NO	DB
63334-XYH	0.435	11.05	0.095	2.41	0.240	6.10	POLY BAGS		NO	DB
68000-XYH	0.425	10.80	0.095	2.41	0.230	5.84	POLY BAGS		YES	NOTE 1,12
68001-XYH	0.450	11.43	0.120	3.05	0.230	5.84	POLY BAGS/TUBES		YES	
68002-XYH	0.480	12.19	0.150	3.81	0.230	5.84	POLY BAGS		YES	
68003-XYH	0.525	13.34	0.195	4.95	0.230	5.84	POLY BAGS		NO	DB
68004-XYH	0.525	13.34	0.107	2.72	0.318	8.08	POLY BAGS		YES	
68024-XYH	0.568	14.43	0.150	3.81	0.318	8.08	POLY BAGS		YES	
68031-XYH	0.513	13.03	0.183	4.65	0.230	5.84	POLY BAGS		NO	
68032-XYH	0.543	13.79	0.213	5.41	0.230	5.84	POLY BAGS		NO	DB
68033-XYH	0.708	17.98	0.473	12.01	0.135	3.43	POLY BAGS		NO	
68415-XYH	0.615	15.62	0.115	2.92	0.400	10.16	POLY BAGS		NO	
68416-XYH	0.813	20.65	0.483	12.27	0.230	5.84	POLY BAGS		NO	
68418-XYH	0.730	18.54	0.400	10.16	0.230	5.84	POLY BAGS		NO	
68422-XYH	0.631	16.03	0.213	5.41	0.318	8.08	POLY BAGS		NO	
68443-XYH	0.755	19.18	0.425	10.80	0.230	5.84	POLY BAGS		NO	DB
68456-XYH	0.825	20.96	0.415	2.92	0.610	15.49	POLY BAGS		NO	DB
68457-XYH	0.548	13.92	0.130	3.30	0.318	8.08	POLY BAGS		NO	
68465-XYH	0.925	23.50	0.595	15.11	0.230	5.84	POLY BAGS		NO	DB
68466-XYH	0.925	23.50	0.128	3.25	0.697	17.70	POLY BAGS		NO	
68472-XYH	0.913	23.19	0.413	10.49	0.400	10.16	POLY BAGS		NO	DB
68479-XYH	0.718	18.24	0.388	9.86	0.230	5.84	POLY BAGS		NO	DB
68483-XYH	0.835	21.21	0.417	10.59	0.318	8.08	POLY BAGS		NO	DB
68487-XYH	0.705	17.91	0.410	2.79	0.495	12.57	POLY BAGS		NO	DB
68489-XYH	1.095	27.81	0.765	19.43	0.230	5.84	POLY BAGS		NO	DB
68490-XYH	1.025	26.04	0.695	17.65	0.230	5.84	POLY BAGS		NO	DB
68497-XYH	0.612	15.54	0.085	2.16	0.427	10.85	POLY BAGS		NO	
68603-XYH	0.555	14.10	0.120	3.05	0.335	8.51	POLY BAGS		NO	
68604-XYH	0.600	15.24	0.120	3.05	0.380	9.65	POLY BAGS		NO	NOTE 1,12

Amphenol FCI

© 2016 AFCI

mat'l. code NOTES 2 & 3		surface ISO 1302 ✓		tolerance ISO 406 ISO 1101		projection 		product family BERGSTIK	
ltr	ecn no	dr	date	tolerances unless otherwise specified		title BERGSTIK® II HEADER .100/2.54cc SR STRAIGHT		scale 1:1	
CY	ELX-N-01895	JZ	2012-06-12	angles	linear	.XXx01/.Xx.3		INCH/MM	
DA	ELX-N-16105	ZK	2013-10-22	0±2'		.XXXx0.006/.XXXx.15			
DB	ELX-N-17329	ZK	2014-03-27			.XXXx0.0002/.XXXx.005			
DC	ELX-N-28578	MZ	2017-11-23	dr	T.BREWBAKER	01/05/95		dwg no	
				enr	T.HANNA	01/05/95		sheet 4 of 8	
				chr	J.MURPHY	01/05/95		size	
				appd	T.HANNA	01/05/95		A3	
sheet index	revision sheet	DC	DC	DC	DC	DC	DC	DC	DC
		1	2	3	4	5	6	7	8

PRODUCT NUMBER	TOTAL PIN LGTH		TAIL LENGTH		MATING LENGTH		PACKAGING	NOTES	BERGSTRIPTM AVAILABLE	LF OPTION
	DIM F	DIM F	DIM G	DIM G	DIM H	DIM H				
	ENGLISH	METRIC	ENGLISH	METRIC	ENGLISH	METRIC				
68629-XXX	0.621	15.77	0.203	5.16	0.318	8.08	POLY BAGS	-	NO	OB
68630-XXX	0.603	15.32	0.273	6.93	0.230	5.84	POLY BAGS	-	NO	OB
68631-XXX	0.703	17.86	0.203	5.16	0.400	10.16	POLY BAGS	-	NO	OB
68632-XXX	0.743	18.87	0.413	10.49	0.230	5.84	POLY BAGS	-	NO	OB
68633-XXX	0.643	16.33	0.225	5.72	0.318	8.08	POLY BAGS	-	NO	NOTE 1,12
68634-XXX	1.013	25.73	0.683	17.35	0.230	5.84	POLY BAGS	-	NO	OB
68642-XXX	0.913	23.19	0.583	14.81	0.230	5.84	POLY BAGS	-	NO	OB
68652-XXX	1.470	37.34	0.670	17.02	0.700	17.78	POLY BAGS	-	NO	OB
68653-XXX	0.735	18.67	0.095	2.41	0.540	13.72	POLY BAGS	-	NO	
68654-XXX	1.050	26.67	0.670	17.02	0.280	7.11	POLY BAGS	-	NO	OB
68655-XXX	0.708	17.98	0.290	7.37	0.318	8.08	POLY BAGS	-	NO	
68656-XXX	1.113	28.27	0.613	15.57	0.400	10.16	POLY BAGS	-	NO	OB
68657-XXX	0.588	14.94	0.368	9.35	0.120	3.05	POLY BAGS	-	NO	
68658-XXX	0.820	20.83	0.130	3.30	0.590	14.99	POLY BAGS	-	NO	OB
68659-XXX	0.608	15.44	0.398	10.11	0.110	2.79	POLY BAGS	-	NO	OB
68686-XXX	1.016	25.81	0.458	11.63	0.458	11.63	POLY BAGS	-	NO	OB
68689-XXX	0.913	23.19	0.213	5.41	0.600	15.24	POLY BAGS	-	NO	OB
68705-XXX	0.395	10.03	0.095	2.41	0.200	5.08	POLY BAGS	-	NO	
68717-XXX	0.615	15.62	0.285	7.24	0.230	5.84	POLY BAGS	-	NO	
68730-XXX	0.555	14.10	0.225	5.72	0.230	5.84	POLY BAGS	-	NO	OB
68731-XXX	0.880	22.35	0.440	11.18	0.340	8.64	POLY BAGS	-	NO	OB
68735-XXX	1.016	25.81	0.520	13.21	0.396	10.06	POLY BAGS	-	NO	OB
68755-XXX	1.166	29.62	0.533	13.54	0.533	13.54	POLY BAGS	-	NO	OB
68760-XXX	0.803	20.40	0.353	8.97	0.350	8.89	POLY BAGS	-	NO	OB
68762-XXX	0.588	14.94	0.213	5.41	0.275	6.99	POLY BAGS	-	NO	OB
68771-XXX	0.470	11.94	0.100	2.54	0.270	6.86	POLY BAGS	-	NO	NOTE 1,12
68781-XXX	0.691	17.55	0.273	6.93	0.318	8.08	POLY BAGS	-	NO	OB

Amphenol FCI

© 2016 AFCI

mat'l code NOTES 2 & 3		surface ISO 1302 ✓	tolerance ISO 406 ISO 1101	projection 	product family BERGSTIK
ltr	ecn no	dr	date	tolerances unless otherwise specified linear .XX±01/.XX±.3 angular 0'±2' .XXX±0.006/.XXX±.15 .XXX±0.0002/.XXX±.005	title BERGSTIK® II HEADER 100/2.54cc SR STRAIGHT
DC				scale 1:1	dwg no 68000 sheet 5 of 8 size A3
				Amphenol FCI	type Product Customer Drawing
sheet index	revision sheet				

PRODUCT NUMBER	TOTAL PIN LGTH		TAIL LENGTH		MATING LENGTH		PACKAGING	NOTES	BERGSTRIPTM AVAILABLE	LF OPTION
	DIM F	DIM F	DIM G	DIM G	DIM H	DIM H				
	ENGLISH	METRIC	ENGLISH	METRIC	ENGLISH	METRIC				
68795-XXX	0.500	12.70	0.062	1.57	0.338	8.59	POLY BAGS	-	NO	OB
68796-XXX	0.633	16.08	0.423	10.74	0.110	2.79	POLY BAGS	-	NO	OB
68797-XXX	0.413	10.49	0.213	5.41	0.100	2.54	POLY BAGS	-	NO	NOTE 1,12
69148-XXX	0.442	11.43	0.000	0.00	0.350	8.89	POLY BAGS	-	NO	OB
69152-XXX	0.720	18.29	0.120	3.05	0.500	12.70	POLY BAGS/TUBES	-	NO	OB
69173-XXX	0.530	13.46	0.135	3.43	0.295	7.49	POLY BAGS	-	NO	
69188-XXX	0.751	19.08	0.333	8.46	0.318	8.08	POLY BAGS	-	NO	
69751-XXX	0.440	11.18	0.170	4.32	0.170	4.32	POLY BAGS	NOTE 10	NO	OB
71417-XXX	0.664	16.87	0.115	2.92	0.449	11.40	POLY BAGS	NOTE 10	NO	OB
72260-XXX	0.930	23.62	0.090	2.29	0.740	18.80	POLY BAGS	-	NO	OB
72323-XXX	1.200	30.48	0.100	2.54	1.000	25.40	POLY BAGS	-	NO	OB
72457-XXX	1.100	27.94	0.090	2.29	0.910	23.11	POLY BAGS	-	NO	OB
73698-XXX	1.100	27.94	0.120	3.05	0.880	22.35	POLY BAGS	-	NO	
74464-XXX	1.028	26.11	0.610	15.49	0.318	8.08	POLY BAGS	-	NO	OB
78240-XXX	0.663	16.84	0.333	8.46	0.230	5.84	POLY BAGS	-	NO	OB
78287-XXX	0.678	17.22	0.120	3.05	0.458	11.63	POLY BAGS	-	NO	OB
78290-XXX	1.250	31.75	0.500	12.70	0.650	16.51	POLY BAGS	-	NO	
78511-XXX	0.538	13.67	0.120	3.05	0.318	8.08	POLY BAGS/TUBES	-	YES	
78595-XXX		NOT AVAILABLE						-	-	
78931-XXX		NOT AVAILABLE						-	-	
78958-XXX		NOT AVAILABLE						-	-	
78959-XXX		NOT AVAILABLE						-	-	
78977-XXX		NOT AVAILABLE						-	-	
78998-XXX	0.430	10.92	0.155	3.94	0.175	4.45	POLY BAGS	-	NO	
78999-XXX		NOT AVAILABLE						-	-	NOTE 1,12
79428-XXX	0.695	17.65	0.120	3.05	0.475	12.07	POLY BAGS	-	NO	OB
79849-XXX	0.620	15.75	0.120	3.05	0.400	10.16	POLY BAGS	-	NO	OB

Amphenol FCI

© 2016 AFCI

mat'l. code NOTES 2 & 3		surface ISO 1302 ✓	tolerance ISO 406 ISO 1101	projection 	product family BERGSTIK
ltr	ecn no	dr	date	tolerances unless otherwise specified	title BERGSTIK® II HEADER .100/2.54cc SR STRAIGHT
DC				angles linear 0±2'	INCH/MM scale 1:1
				dr T.BREWBAKER 01/05/95	dwg no 68000 sheet 6 of 8 size A3
				enrg T.HANNA 01/05/95	Amphenol FCI
				chr J.MURPHY 01/05/95	type Product Customer Drawing
				appd T.HANNA 01/05/95	
sheet index	revision sheet				

PRODUCT NUMBER	TOTAL PIN LGTH		TAIL LENGTH		MATING LENGTH		PACKAGING	NOTES	BERGSTRIPTM AVAILABLE	LF OPTION
	DIM F	DIM F	DIM G	DIM G	DIM H	DIM H				
	ENGLISH	METRIC	ENGLISH	METRIC	ENGLISH	METRIC				
84918-XYH	0.340	8.64	0.120	3.05	0.120	3.05	POLY BAGS		YES	OB
84921-XYH	0.370	9.40	0.150	3.81	0.120	3.05	POLY BAGS		YES	OB
86506-XYH	0.440	11.18	0.120	3.05	0.220	5.59	POLY BAGS		YES	OB
86579-XYH	0.450	11.43	0.120	3.05	0.230	5.84	POLY BAGS	NOTE 9	NO	OB
86634-XYH		NOT AVAILABLE								NOTE 1,12
86635-XYH		NOT AVAILABLE								
86636-XYH		NOT AVAILABLE								
86637-XYH		NOT AVAILABLE								
86638-XYH		NOT AVAILABLE								
86793-XYH	0.900	22.86	0.100	2.54	0.700	17.78	POLY BAGS	NOTE 10	NO	OB
86899-XYH	1.020	25.91	0.120	3.05	0.800	20.32	POLY BAGS		NO	OB
87185-XYH	1.238	31.45	0.095	2.41	1.043	26.49	POLY BAGS	NOTE 10	NO	
87204-XYH	0.895	22.73	0.120	3.05	0.675	17.15	POLY BAGS		NO	OB
87241-XYH	1.000	25.40	0.120	3.05	0.780	19.81	POLY BAGS		NO	OB
87502-XYH	1.130	28.70	0.110	2.79	0.920	23.37	POLY BAGS		NO	OB
87827-XYH	0.380	9.65	0.120	3.05	0.160	4.06	POLY BAGS		NO	
87916-XYH	1.058	26.87	0.128	3.25	0.830	21.08	POLY BAGS		NO	NOTE 1,12
88005-XYH	0.536	13.61	0.095	2.41	0.341	8.66	POLY BAGS	NOTE 10	NO	OB
88706-XYH	0.900	22.86	0.100	2.54	0.700	17.78	POLY BAGS		NO	OB
89232-XYH	0.325	8.26	0.000	0.00	0.230	5.84	POLY BAGS	NOTE 7	NO	OB

Amphenol FCI

© 2016 AFCI

mat'l. code NOTES 2 & 3		surface ISO 1302 ✓	tolerance ISO 406 ISO 1101	projection 	product family BERGSTIK
ltr	ecr no	dr	date	tolerances unless otherwise specified linear .XX±01/.X±.3 angular .XXX±0.006/.XX±.15 0'±2' .XXX±0.0002/.XXX±.005	title BERGSTIK® II HEADER .100/2.54cc SR STRAIGHT
DC				scale 1:1	dwg no 68000 sheet 7 of 8 size A3
				Amphenol FCI	type Product Customer Drawing
dr			T.BREWBAKER 01/05/95		
enr			T.HANNA 01/05/95		
chr			J.MURPHY 01/05/95		
appd			T.HANNA 01/05/95		
sheet index	revision sheet				

form: A3-2016-02-24

PRODUCT NUMBER	TOTAL PIN LGTH		TAIL LENGTH		MATING LENGTH		PACKAGING	NOTES	BERGSTRIIP AVAILABLE	LF OPTION
	DIM F	DIM F	DIM G	DIM G	DIM H	DIM H				
	ENGLISH	METRIC	ENGLISH	METRIC	ENGLISH	METRIC				
90522-XYX	0.668	16.97	0.135	3.43	0.433	11.00	POLY BAGS	NOTE 10	NO	OB
90547-XYX	0.508	12.90	0.095	2.41	0.313	7.95	POLY BAGS	NOTE 10	NO	OB
90719-XYX	0.384	9.75	0.106	2.69	0.178	4.52	POLY BAGS	-	NO	
90726-XYX	0.440	11.18	0.110	2.79	0.230	5.84	POLY BAGS	-	YES	OB
91276-XYX	1.225	31.12	0.225	5.72	0.900	22.86	POLY BAGS	-	NO	NOTE 1,12
92020-XYX	0.372	9.45	0.094	2.39	0.178	4.52	POLY BAGS	-	NO	OB
A 92418-XYX	0.572	14.53	0.118	3.00	0.354	8.99	POLY BAGS	-	NO	OB
93167-XYX	0.394	10.01	0.059	1.50	0.235	5.97	POLY BAGS	-	NO	OB
93287-XYXH	0.585	14.86	0.085	2.16	0.400	10.16	POLY BAGS	-	NO	
93944-XYX	0.941	23.90	0.130	3.30	0.711	18.06	POLY BAGS	-	NO	
93992-XYXH	0.415	10.54	0.085	2.16	0.230	5.84	POLY BAGS	-	NO	
94063-XYX	0.376	9.55	0.138	3.51	0.138	3.51	POLY BAGS	NOTE 10	NO	
94094-XYX	0.592	15.04	0.314	7.98	0.178	4.52	POLY BAGS	-	NO	OB
94544-XYX	0.550	13.97	0.130	3.30	0.330	8.38	POLY BAGS	NOTE 10	NO	OB
94611-XYXH	0.320	8.13	0.095	2.41	0.125	3.18	POLY BAGS	-	NO	
95017-XYXH	0.560	14.22	0.060	1.52	0.400	10.16	POLY BAGS	-	NO	OB
B 95103-XYX	1.064	27.03	0.433	11.00	0.531	13.49	POLY BAGS	NOTE 10	NO	OB
95104-XYX	0.370	9.40	0.126	3.20	0.144	3.66	POLY BAGS	NOTE 10	NO	OB
95648-XYXH	0.655	16.64	0.155	3.94	0.400	10.16	POLY BAGS	-	NO	OB
95655-XYX	1.164	29.57	0.095	2.41	0.969	24.61	POLY BAGS	NOTE 10	NO	OB
98001-XYXH	0.610	15.49	0.420	10.67	0.090	2.29	POLY BAGS	-	NO	OB
98136-XYXH	0.475	12.07	0.095	2.41	0.280	7.11	POLY BAGS	-	NO	OB
10004394-XYX	0.290	7.37	0.095	2.41	0.095	2.41	POLY BAGS	-	NO	OB
10076764-XXYH	0.479	12.19	0.114	2.9	0.265	6.75	POLY BAGS	-	YES	OB
10103017-XYX	0.335	8.51	0.130	3.30	0.105	2.67	POLY BAGS	-	NO	OB
10121349-XYX	0.626	15.9	0.120	3.05	0.406	10.3	POLY BAGS/TAPE REEL	-	NO	NOTE 1,12

Amphenol FCI

© 2016 AFCI

mat'l. code NOTES 2 & 3		surface ISO 1302 ✓	tolerance ISO 406 ISO 1101	projection 	product family BERGSTIK
ltr	ecn no	dr	date	tolerances unless otherwise specified XX±01/XX.3 linear .XXX±0.006/XXX.15 0±2' .XXX±0.0002/XXX.005	title BERGSTIK® II HEADER 100/2.54cc SR STRAIGHT
DC				INCH/MM scale 1:1	dwg no 68000
				Amphenol FCI	sheet 8 of 8 size A3
					type Product Customer Drawing
sheet index	revision sheet				

X-ON Electronics

Largest Supplier of Electrical and Electronic Components

Click to view similar products for [Headers & Wire Housings](#) category:

Click to view products by [Amphenol](#) manufacturer:

Other Similar products are found below :

[892-18-020-10-001101](#) [58102-G61-06LF](#) [582553-1](#) [0009485154](#) [009176003701906](#) [0050291907](#) [LY20-4P-DT1-P1E-BR](#) [02.125.8002.8](#)
[609-3404](#) [61062-3](#) [622-0430](#) [622-3653LF](#) [63453-116](#) [636-1030](#) [636-1427](#) [636-3427](#) [636-4007](#) [641938-9](#) [641991-4](#) [644827-2](#) [65817-010LF](#)
[65817-015LF](#) [65863-015LF](#) [66207-023LF](#) [67095-007LF](#) [67601157](#) [68648-049](#) [70.362.1628.0](#) [70-4210](#) [70-4226B](#) [70-4853B](#) [707-5020](#) [707-](#)
[5028](#) [71.350.2428.0](#) [71918-208LF](#) [71961-016LF](#) [733-134](#) [733-162](#) [754199-000](#) [760-3052](#) [787-8014-00](#) [79531-3000](#) [FCN-360C032-B](#) [FCN-](#)
[367T-T012/H](#) [FCN-723D010/2](#) [80.063.4001.1](#) [800-90-001-10-001000](#) [800-90-010-10-002000](#) [801-43-002-10-013000](#) [801-43-006-10-002000](#)