

PRODUCT NUMBER

XXXXX-YYYHTLF

LEAD FREE OPTION
(SEE NOTES 1)

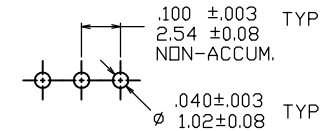
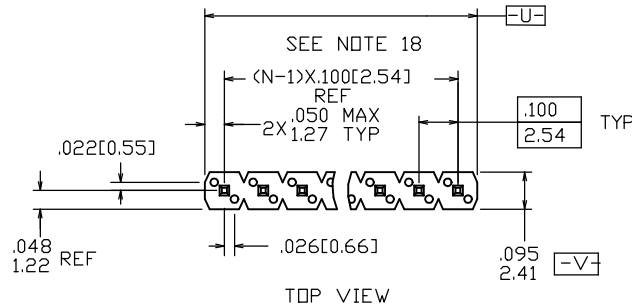
PACKAGING OPTIONS
(SEE NOTE 1)

HIGH TEMPERATURE PLASTIC
(SEE NOTE 1)

NO OF
POSITIONS
(SEE NOTE 1)

PIN PLATING
(SEE SHEET 2)

BASE PART NO.



68000-X XX-XXX XXX LF

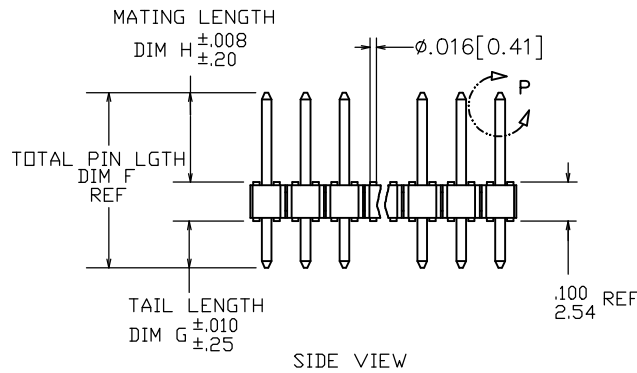
TAIL LENGTH (EXAMPLE BELOW)
3.0mm=030 12.8mm=128 (SEE NOTE 15 & 16)

MATING LENGTH (EXAMPLE BELOW)
5.0mm=050 25.5mm=255 (SEE NOTE 15 & 16)

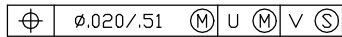
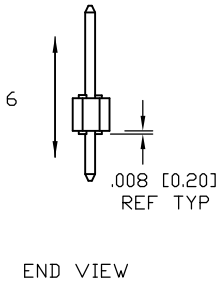
TOTAL NUMBER OF POSITION
FROM 1 THRU 36 POS. (SEE NOTE 1)

PIN PLATING (SEE NOTE 13)
1=0.76µm Au
4= PURE TIN
8=0.36µm Au

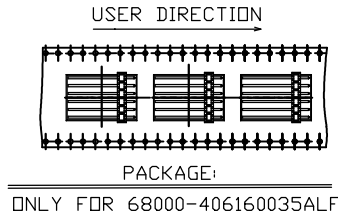
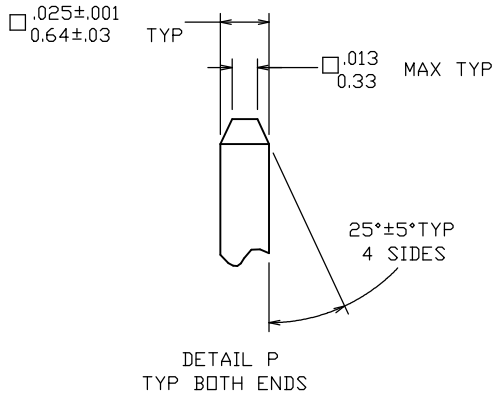
BASE PART NO.



NOTE 6



NOTE 4



mat'l. code		surface		tolerance		projection		product family	
NOTES 2 & 3		ISO 1302 ✓		ISO 406 ISO 1101				BERGSTIK	
ltr	ec'n no	dr	date	tolerances unless otherwise specified					
CY	ELX-N-01895	JZ	2012-06-12	angles	.XX±01/.X±3				
DA	ELX-N-16105	ZK	2013-10-22	linear	.XXX±0.006/.XX±.15				
DB	ELX-N-17329	ZK	2014-03-27	0±2'	.XXXX±0.0002/.XXX±.005				
DC	ELX-N-28578	MZ	2017-11-23	dr	T.HANNA	01/05/95			
				enr	T.HANNA	01/05/95			
				chr	J.MURPHY	01/05/95			
				appd	T.HANNA	01/05/95			
sheet	revision	DC	DC	DC	DC	DC	DC	DC	DC
index	sheet	1	2	3	4	5	6	7	8
title		BERGSTIK® II HEADER		scale 1:1		dwg no		sheet 1 of 8	
title		.100/2.54cc SR STRAIGHT		Amphenol FCI		68000		A3	
type		Product Customer Drawing							

PIN PLATING CODES:

XXXX-1YY	30u"/0.76u MIN (SEE NOTE 13) OVER 50u"/1.27u MIN Ni
XXXX-2YY	15u"/0.38u MIN (SEE NOTE 13) OVER 50u"/1.27u MIN Ni
XXXX-3YY	50u"/1.27u MIN (SEE NOTE 13) OVER 50u"/1.27u MIN Ni
XXXX-4YY	100u"/2.54u MIN Sn OVER 50u"/1.27u MIN Ni (SEE NOTE 14)
XXXX-4YYHLF	
XXXX-5YY	15u"/0.38u MIN (SEE NOTE 13) OVER 50u"/1.27u MIN Ni
XXXX-6YY	30u"/0.76u MIN (SEE NOTE 13) OVER 50u"/1.27u MIN Ni
XXXX-7YY	30u"/0.76u MIN (SEE NOTE 13) OVER 50u"/1.27u MIN Ni
XXXX-8YY	15u"/0.38u MIN (SEE NOTE 13) OVER 50u"/1.27u MIN Ni
XXXX-9YY	15u"/0.38u MIN (SEE NOTE 13) OVER 50u"/1.27u MIN Ni
XXXX-0YY	30u"/0.76u MIN (SEE NOTE 13) OVER 50u"/1.27u MIN Ni

NOTES

1. PART NUMBER OPTIONS:

PIN PLATING CODES (SEE ABOVE)

HIGH TEMP. MATERIAL:

PART NUMBERS WITH AND WITHOUT "H" WILL BE SUPPLIED WITH HIGH TEMPERATURE PLASTIC

NUMBER OF POSITIONS :

ANY NUMBER OF POSITIONS FROM 1 THRU 36. -X00H INDICATES BERGSTRIIP PRODUCT. SEE PAGE 3 FOR SPECIAL GEOMETRY OF THIS CONTINUOUS STRIP PRODUCT. AUTOMATED REELS WILL CONTAIN 36,000 PINS. SEE SPECIFIC PART NUMBERS FOR AVAILABILITY.

PACKAGING :

NO INDICATOR IS STANDARD PACKAGING IN POLY BAGS. EIGHT DIGIT PART NUMBERS FOLLOWED BY A "T" ARE PACKAGED IN TUBES. SEE SPECIFIC PART NUMBERS FOR AVAILABILITY. EIGHT DIGIT PART NUMBERS FOLLOWED BY A "C" ARE PACKAGED IN TUBES WITH PICKUP CAP APPLIED. (NOT TOOLED) BERGSTRIIP PART NUMBERS FOLLOWED BY A "B" ARE BULK PRICED. EIGHT DIGIT PART NUMBERS FOLLOWED BY A "A" ARE PACKAGED IN TAPE AND REEL WITH PICKUP CAP APPLIED.

LEAD FREE :

ADD "LF" SUFFIX AT THE END OF PART NUMBER FOR LEAD FREE

2. BODY MATERIAL :

BERGSTIK: MANUFACTURER'S OPTION OF NYLON, PCT GLASS FIBER REINFORCED, OR LCP MINERAL FILLED FLAME RETARDENT PER UL-94V-0. COLOR : BLACK BERGSTRIIP: PRODUCED WITH HIGH TEMPERATURE LCP THERMOPLASTIC, FLAME RETARDENT PER UL-94V-0. COLOR : BLACK

PART NUMBERS WITH AND WITHOUT "H" SUFFIX WILL WITHSTAND EXPOSURE TO 260°C PEAK TEMPERATURE FOR 20 SECONDS IN WAVE SOLDER, INFRA-RED OR VAPOR PHASE SOLDER PROCESS.

- 3. PIN MATERIAL : PHOS-BRONZE.
- 4. MEASURED WITH PART IN RESTRAINED CONDITION.
 - 5. TWO SIDES OF PIN TIPS NOT PLATED. TYPICAL BOTH ENDS.
- 6. 2LBS/0.9KG MIN PIN RETENTION IN EITHER DIRECTION.
- 7. PIN CANNOT PROTRUDE PAST EDGE OF HOUSING. MUST BE .005±.005/.13±.13 FROM END OF HOUSING HOLE.
- 8. MILITARY BERGSTIK HEADER
P/N XXXXX-XYX-MIL.
NOT AVAILABLE.
- 9. ±.010/0.25 TOL APPLIES TO ALL "G" TAILS EXCEPT INDICATED PARTS ON TABLE WHERE +.010/0.25 -.000/0.00 APPLIES.
- 10. INDICATED PART NUMBERS ARE PRODUCED AND SOLD IN THE TAIWAN/SINGAPORE AREAS. THESE ARE NOT AVAILABLE IN BERGSTRIIP CONTINUOUS STRIP.
- 11. NOTCH CONFIGURATION WILL VARY PER VENDOR'S DISCRETION.
- 12. THESE PRODUCTS MEETS EUROPEAN UNION DIRECTIVES AND OTHER COUNTRY REGULATION AS DESCRIBED IN GS-22-008.
- 13. PLATING OPTIONS:
PERFORMANCE PLATING WILL BE EITHER GOLD OR GXT ON POST OR TAIL, OPTIONALLY (78~295u"/2~7.5u) TIN ON TAIL.
- 14. "THIS PRODUCT HAS 100% TIN PLATING IN THE INTERFACE AND HAS NOT BEEN TESTED FOR WHISKER GROWTH IN ALL INTERCONNECT ENVIRONMENTS."
- 15. THE DAL DON'T EXCEED 34.5mm
- 16. INCREMENTS BY 0.1mm IN LENGTHS ONLY
- 17. FOR SPECIAL PACKAGING REQUEST PLEASE CONTACT PRODUCT MANAGER FOR AVAILABILITY
- 18. TO DETERMINE DIMENSIONS:
N=NUMBER OF POSITION PER ROW
EXAMPLE: 10 POS. N X .100/2.54
- 19. 68000-406160035ALF IS SPECIAL PART NUMBER, IT IS 6PIN, MATING LENGTH IS 16mm. TAIL LENGTH IS 3.5mm. AND PACKAGE IS TAPE AND REEL AND NO CAP.

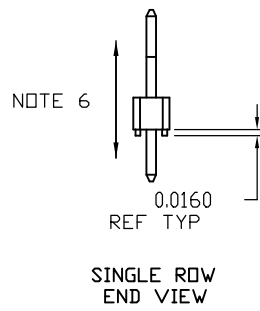
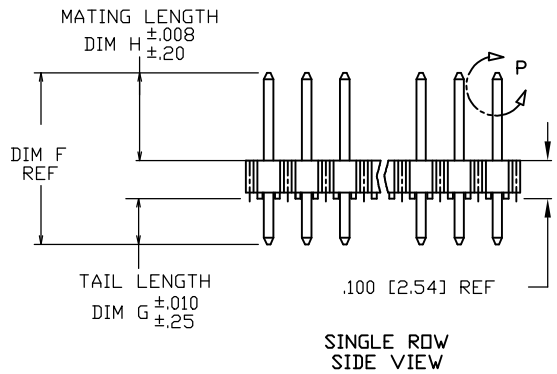
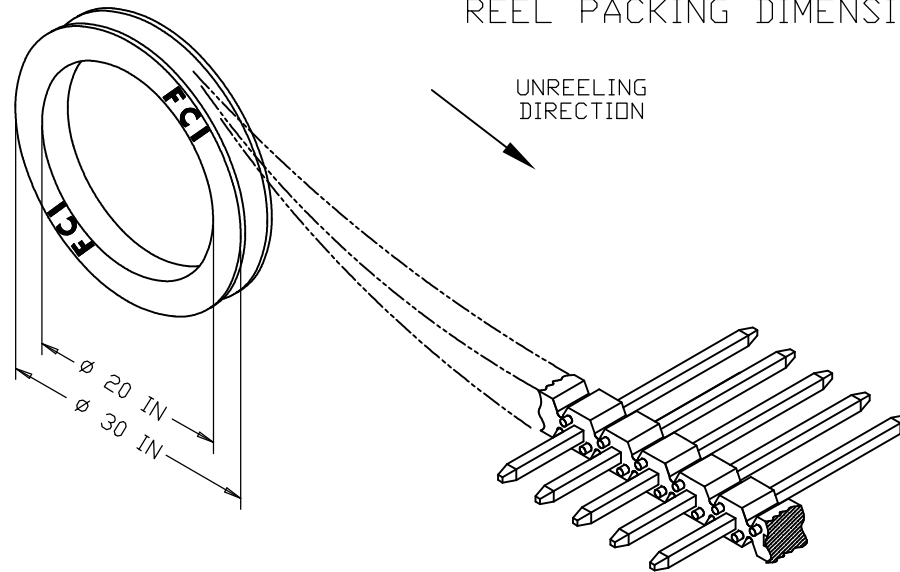
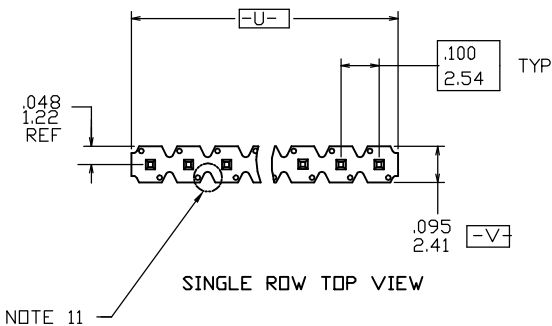


Copyright FCI.

www.fciconnect.com			surface ISO 1302 ✓	tolerance std ISO 406 ISO 1101	projection	INCH/MM
			TOLERANCES UNLESS OTHERWISE SPECIFIED			
Dr	T.BREWBAKER	01/05/95	ANGULAR	0.X ±0.3	size A4	Scale 1.000
Eng	T.HANNA	01/05/95	LINEAR	0.XX ±0.15		
Chr	J.MURPHY	01/05/95	0° ±2°	0.XXX ±0.05	ECN	
Appr	T.HANNA	01/05/95	Product family	BERGSTIK	Spec ref	
			title BERGSTIK® II HEADER .100/2.54cc SR STRAIGHT		chg no 68000	Rev. DC
			catalog no	CUSTOMER	sheet 2 of 8	

BERGSTRIK™ HEADER

REEL PACKING DIMENSIONS



Copyright FCI.

www.fciconnect.com			surface <input checked="" type="checkbox"/> ISO 1302		tolerance std <input checked="" type="checkbox"/> ISO 406 <input type="checkbox"/> ISO 1101		projection		INCH/MM		
TOLERANCES UNLESS OTHERWISE SPECIFIED											
Dr	T.BREWBAKER	01/05/95	ANGULAR	LINEAR	0.X	± 0.3	size	A4	Scale		
Eng	T.HANNA	01/05/95			0.XX	± 0.15			1.000		
Chr	J.MURPHY	01/05/95	0°	$\pm 2°$	0.XXX	± 0.05	ECN				
Appr	T.HANNA	01/05/95	Product family		BERGSTIK		Spec ref				
			title BERGSTIK® II HEADER .100/2.54cc SR STRAIGHT				dwg no 68000		Rev. DC		
			catalog no				CUSTOMER		sheet 3 of 8		

PRODUCT NUMBER	TOTAL PIN LGTH		TAIL LENGTH		MATING LENGTH		PACKAGING	NOTES	BERGSTRIPTM	LF
	DIM F	DIM F	DIM G	DIM G	DIM H	DIM H			AVAILABLE	
	ENGLISH	METRIC	ENGLISH	METRIC	ENGLISH	METRIC				
55492-XYH	0.315	8.00	0.095	2.41	0.120	3.05	POLY BAGS		NO	OB
60017-XYH	0.620	15.75	0.210	5.33	0.310	7.87	POLY BAGS		NO	OB
60018-XYH	0.660	16.76	0.250	6.35	0.310	7.87	POLY BAGS		NO	OB
63334-XYH	0.435	11.05	0.095	2.41	0.240	6.10	POLY BAGS		NO	OB
68000-YYY	0.425	10.80	0.095	2.41	0.230	5.84	POLY BAGS		YES	NOTE 1,12
68001-YYY	0.450	11.43	0.120	3.05	0.230	5.84	POLY BAGS/TUBES		YES	
68002-YYY	0.480	12.19	0.150	3.81	0.230	5.84	POLY BAGS		YES	
68003-XXX	0.525	13.34	0.195	4.95	0.230	5.84	POLY BAGS		NO	OB
68004-YYY	0.525	13.34	0.107	2.72	0.318	8.08	POLY BAGS		YES	
68024-YYY	0.568	14.43	0.150	3.81	0.318	8.08	POLY BAGS		YES	
68031-YYY	0.513	13.03	0.183	4.65	0.230	5.84	POLY BAGS		NO	
68032-XXX	0.543	13.79	0.213	5.41	0.230	5.84	POLY BAGS		NO	OB
68033-YYY	0.708	17.98	0.473	12.01	0.135	3.43	POLY BAGS		NO	
68415-YYY	0.615	15.62	0.115	2.92	0.400	10.16	POLY BAGS		NO	
68416-YYY	0.813	20.65	0.483	12.27	0.230	5.84	POLY BAGS		NO	
68418-YYY	0.730	18.54	0.400	10.16	0.230	5.84	POLY BAGS		NO	
68422-YYY	0.631	16.03	0.213	5.41	0.318	8.08	POLY BAGS		NO	
68443-XXX	0.755	19.18	0.425	10.80	0.230	5.84	POLY BAGS		NO	OB
68456-XXX	0.825	20.96	0.115	2.92	0.610	15.49	POLY BAGS		NO	OB
68457-YYY	0.548	13.92	0.130	3.30	0.318	8.08	POLY BAGS		NO	
68465-XXX	0.925	23.50	0.595	15.11	0.230	5.84	POLY BAGS		NO	OB
68466-YYY	0.925	23.50	0.128	3.25	0.697	17.70	POLY BAGS		NO	
68472-XXX	0.913	23.19	0.413	10.49	0.400	10.16	POLY BAGS		NO	OB
68479-XXX	0.718	18.24	0.388	9.86	0.230	5.84	POLY BAGS		NO	OB
68483-XXX	0.835	21.21	0.417	10.59	0.318	8.08	POLY BAGS		NO	OB
68487-XXX	0.705	17.91	0.110	2.79	0.495	12.57	POLY BAGS		NO	OB
68489-XXX	1.095	27.81	0.765	19.43	0.230	5.84	POLY BAGS		NO	OB
68490-XXX	1.025	26.04	0.695	17.65	0.230	5.84	POLY BAGS		NO	OB
68497-YYY	0.612	15.54	0.085	2.16	0.427	10.85	POLY BAGS		NO	
68603-YYY	0.555	14.10	0.120	3.05	0.335	8.51	POLY BAGS		NO	
68604-YYY	0.600	15.24	0.120	3.05	0.380	9.65	POLY BAGS		NO	NOTE 1,12



Copyright FCI.

www.fciconnect.com			surface ISO 1302 ✓	tolerance std ISO 406 ISO 1101	projection	INCH/MM
			TOLERANCES UNLESS OTHERWISE SPECIFIED			← →
Dr	T.BREWBAKER	01/05/95	ANGULAR	LINEAR	0.X ±0.3	size A4 Scale 1.000
Eng	T.HANNA	01/05/95			0.XX ±0.15	
Chr	J.MURPHY	01/05/95	0° ±2°		0.XXX ±0.05	ECN
Appr	T.HANNA	01/05/95	Product family BERGSTIK		Spec ref	
	title BERGSTIK® II HEADER .100/2.54cc SR STRAIGHT			chg no 68000	Rev. DC	
catalog no			CUSTOMER		sheet 4 of 8	

1

2

3

4

PRODUCT NUMBER	TOTAL PIN LGTH		TAIL LENGTH		MATING LENGTH		PACKAGING	NOTES	BERGSTRIK™	LF	
	DIM F	DIM F	DIM G	DIM G	DIM H	DIM H			AVAILABLE		OPTION
	ENGLISH	METRIC	ENGLISH	METRIC	ENGLISH	METRIC					
68629-XXX	0.621	15.77	0.203	5.16	0.318	8.08	POLY BAGS	-	NO	OB	
68630-XXX	0.603	15.32	0.273	6.93	0.230	5.84	POLY BAGS	-	NO	OB	
68631-XXX	0.703	17.86	0.203	5.16	0.400	10.16	POLY BAGS	-	NO	OB	
68632-XXX	0.743	18.87	0.413	10.49	0.230	5.84	POLY BAGS	-	NO	OB	
68633-XXX	0.643	16.33	0.225	5.72	0.318	8.08	POLY BAGS	-	NO	NOTE 1,12	
68634-XXX	1.013	25.73	0.683	17.35	0.230	5.84	POLY BAGS	-	NO	OB	
68642-XXX	0.913	23.19	0.583	14.81	0.230	5.84	POLY BAGS	-	NO	OB	
68652-XXX	1.470	37.34	0.670	17.02	0.700	17.78	POLY BAGS	-	NO	OB	
68653-XXX	0.735	18.67	0.095	2.41	0.540	13.72	POLY BAGS	-	NO		
68654-XXX	1.050	26.67	0.670	17.02	0.280	7.11	POLY BAGS	-	NO	OB	
68655-XXX	0.708	17.98	0.290	7.37	0.318	8.08	POLY BAGS	-	NO		
68656-XXX	1.113	28.27	0.613	15.57	0.400	10.16	POLY BAGS	-	NO	OB	
68657-XXX	0.588	14.94	0.368	9.35	0.120	3.05	POLY BAGS	-	NO		
68658-XXX	0.820	20.83	0.130	3.30	0.590	14.99	POLY BAGS	-	NO	OB	
68659-XXX	0.608	15.44	0.398	10.11	0.110	2.79	POLY BAGS	-	NO	OB	
68686-XXX	1.016	25.81	0.458	11.63	0.458	11.63	POLY BAGS	-	NO	OB	
68689-XXX	0.913	23.19	0.213	5.41	0.600	15.24	POLY BAGS	-	NO	OB	
68705-XXX	0.395	10.03	0.095	2.41	0.200	5.08	POLY BAGS	-	NO		
68717-XXX	0.615	15.62	0.285	7.24	0.230	5.84	POLY BAGS	-	NO		
68730-XXX	0.555	14.10	0.225	5.72	0.230	5.84	POLY BAGS	-	NO	OB	
68731-XXX	0.880	22.35	0.440	11.18	0.340	8.64	POLY BAGS	-	NO	OB	
68735-XXX	1.016	25.81	0.520	13.21	0.396	10.06	POLY BAGS	-	NO	OB	
68755-XXX	1.166	29.62	0.533	13.54	0.533	13.54	POLY BAGS	-	NO	OB	
68760-XXX	0.803	20.40	0.353	8.97	0.350	8.89	POLY BAGS	-	NO	OB	
68762-XXX	0.588	14.94	0.213	5.41	0.275	6.99	POLY BAGS	-	NO	OB	
68771-XXX	0.470	11.94	0.100	2.54	0.270	6.86	POLY BAGS	-	NO	NOTE 1,12	
68781-XXX	0.691	17.55	0.273	6.93	0.318	8.08	POLY BAGS	-	NO	OB	

A

B

C

D

A

B

C

D



Copyright FCI.

www.fciconnect.com			surface ISO 1302 ✓	tolerance std ISO 406 ISO 1101	projection	INCH/MM
			TOLERANCES UNLESS OTHERWISE SPECIFIED			← →
Dr	T.BREWBAKER	01/05/95	ANGULAR	LINEAR	size A4	Scale 1.000
Eng	T.HANNA	01/05/95	0°	±2°	0.X ±0.3	0.XX ±0.15
Chr	J.MURPHY	01/05/95	0.XXX	±0.05	ECN	
Appr	T.HANNA	01/05/95	Product family	BERGSTIK	Spec ref	
	title BERGSTIK® II HEADER 100/2.54cc SR STRAIGHT			dwg no 68000	Rev. DC	
catalog no			CUSTOMER		sheet 5 of 8	

1

2

3

4

1

2

3

4

PRODUCT NUMBER	TOTAL PIN LGTH		TAIL LENGTH		MATING LENGTH		PACKAGING	NOTES	BERGSTRIPTM	LF OPTION
	DIM F	DIM F	DIM G	DIM G	DIM H	DIM H			AVAILABLE	
	ENGLISH	METRIC	ENGLISH	METRIC	ENGLISH	METRIC				
68795-XXX	0.500	12.70	0.062	1.57	0.338	8.59	POLY BAGS	---	NO	OB
68796-XXX	0.633	16.08	0.423	10.74	0.110	2.79	POLY BAGS	---	NO	OB
68797-XXX	0.413	10.49	0.213	5.41	0.100	2.54	POLY BAGS	-	NO	NOTE 1,12
69148-XXX	0.442	11.43	0.000	0.00	0.350	8.89	POLY BAGS	---	NO	OB
69152-XXX	0.720	18.29	0.120	3.05	0.500	12.70	POLY BAGS/TUBES	---	NO	OB
69173-XXX	0.530	13.46	0.135	3.43	0.295	7.49	POLY BAGS	-	NO	
69188-XXX	0.751	19.08	0.333	8.46	0.318	8.08	POLY BAGS	-	NO	
69751-XXX	0.440	11.18	0.170	4.32	0.170	4.32	POLY BAGS	NOTE 10	NO	OB
71417-XXX	0.664	16.87	0.115	2.92	0.449	11.40	POLY BAGS	NOTE 10	NO	OB
72260-XXX	0.930	23.62	0.090	2.29	0.740	18.80	POLY BAGS	---	NO	OB
72323-XXX	1.200	30.48	0.100	2.54	1.000	25.40	POLY BAGS	---	NO	OB
72457-XXX	1.100	27.94	0.090	2.29	0.910	23.11	POLY BAGS	---	NO	OB
73698-XXX	1.100	27.94	0.120	3.05	0.880	22.35	POLY BAGS	-	NO	
74464-XXX	1.028	26.11	0.610	15.49	0.318	8.08	POLY BAGS	---	NO	OB
78240-XXX	0.663	16.84	0.333	8.46	0.230	5.84	POLY BAGS	---	NO	OB
78287-XXX	0.678	17.22	0.120	3.05	0.458	11.63	POLY BAGS	---	NO	OB
78290-XXX	1.250	31.75	0.500	12.70	0.650	16.51	POLY BAGS	-	NO	
78511-XXX	0.538	13.67	0.120	3.05	0.318	8.08	POLY BAGS/TUBES	-	YES	
78595-XXX		NOT AVAILABLE						-	-	
78931-XXX		NOT AVAILABLE						-	-	
78958-XXX		NOT AVAILABLE						-	-	
78959-XXX		NOT AVAILABLE						-	-	
78977-XXX		NOT AVAILABLE						-	-	
78998-XXX	0.430	10.92	0.155	3.94	0.175	4.45	POLY BAGS	-	NO	
78999-XXX		NOT AVAILABLE						-	-	NOTE 1,12
79428-XXX	0.695	17.65	0.120	3.05	0.475	12.07	POLY BAGS	---	NO	OB
79849-XXX	0.620	15.75	0.120	3.05	0.400	10.16	POLY BAGS	---	NO	OB



Copyright FCI.

www.fciconnect.com			surface ISO 1302 <input checked="" type="checkbox"/>	tolerance std ISO 406 ISO 1101	projection	INCH/MM
			TOLERANCES UNLESS OTHERWISE SPECIFIED			
Dr	T.BREWBAKER	01/05/95	ANGULAR	LINEAR	0.X ±0.3	size A4 Scale 1.000
Eng	T.HANNA	01/05/95			0.XX ±0.15	
Chr	J.MURPHY	01/05/95	0° ±2°		0.XXX ±0.05	ECN
Appr	T.HANNA	01/05/95	Product family	BERGSTIK	Spec ref	
	title BERGSTIK® II HEADER .100/2.54cc SR STRAIGHT			dwg no 68000	Rev. DC	
catalog no			CUSTOMER		sheet 6 of 8	

REV F - 2004-11-17

1

2

PDS: Rev :DC

STATUS:Released

3

Printed: Dec 14, 2017

4

PRODUCT NUMBER	TOTAL PIN LGTH		TAIL LENGTH		MATING LENGTH		PACKAGING	NOTES	BERGSTRIK™ AVAILABLE	LF OPTION
	DIM F	DIM F	DIM G	DIM G	DIM H	DIM H				
	ENGLISH	METRIC	ENGLISH	METRIC	ENGLISH	METRIC				
84918-XYH	0.340	8.64	0.120	3.05	0.120	3.05	POLY BAGS		YES	OB
84921-XYH	0.370	9.40	0.150	3.81	0.120	3.05	POLY BAGS		YES	OB
86506-XXX	0.440	11.18	0.120	3.05	0.220	5.59	POLY BAGS		YES	OB
86579-XXX	0.450	11.43	0.120	3.05	0.230	5.84	POLY BAGS	NOTE 9	NO	OB
86634-XXX		NOT AVAILABLE								NOTE 1,12
86635-XXX		NOT AVAILABLE								
86636-XXX		NOT AVAILABLE								
86637-XXX		NOT AVAILABLE								
86638-XXX		NOT AVAILABLE								
86793-XXX	0.900	22.86	0.100	2.54	0.700	17.78	POLY BAGS	NOTE 10	NO	OB
86899-XXX	1.020	25.91	0.120	3.05	0.800	20.32	POLY BAGS		NO	OB
87185-XY	1.238	31.45	0.095	2.41	1.043	26.49	POLY BAGS	NOTE 10	NO	
87204-XXX	0.895	22.73	0.120	3.05	0.675	17.15	POLY BAGS		NO	OB
87241-XY	1.000	25.40	0.120	3.05	0.780	19.81	POLY BAGS		NO	OB
87502-XYH	1.130	28.70	0.110	2.79	0.920	23.37	POLY BAGS		NO	OB
87827-XXX	0.380	9.65	0.120	3.05	0.160	4.06	POLY BAGS		NO	
87916-XXX	1.058	26.87	0.128	3.25	0.830	21.08	POLY BAGS		NO	NOTE 1,12
88005-XXX	0.536	13.61	0.095	2.41	0.341	8.66	POLY BAGS	NOTE 10	NO	OB
88706-XXX	0.900	22.86	0.100	2.54	0.700	17.78	POLY BAGS		NO	OB
89232-XXX	0.325	8.26	0.000	0.00	0.230	5.84	POLY BAGS	NOTE 7	NO	OB



Copyright FCI.

www.fciconnect.com			surface ISO 1302 ✓	tolerance std ISO 406 ISO 1101	projection 	INCH/MM
			TOLERANCES UNLESS OTHERWISE SPECIFIED			← →
Dr	T.BREWBAKER	01/05/95	ANGULAR	0.X ±0.3	size A4	Scale 1.000
Eng	T.HANNA	01/05/95	LINEAR	0.XX ±0.15		
Chr	J.MURPHY	01/05/95	0° ±2°	0.XXX ±0.05	ECN	
Appr	T.HANNA	01/05/95	Product family	BERGSTIK	Spec ref	
	title BERGSTIK® II HEADER .100/2.54cc SR STRAIGHT			dwg no 68000	Rev. DC	
			catalog no	CUSTOMER	sheet 7 of 8	

1

2

3

4

PRODUCT NUMBER	TOTAL PIN LGTH		TAIL LENGTH		MATING LENGTH		PACKAGING	NOTES	BERGSTRIK™ AVAILABLE	LF OPTION
	DIM F	DIM F	DIM G	DIM G	DIM H	DIM H				
	ENGLISH	METRIC	ENGLISH	METRIC	ENGLISH	METRIC				
90522-XXX	0.668	16.97	0.135	3.43	0.433	11.00	POLY BAGS	NOTE 10	NO	OB
90547-XXX	0.508	12.90	0.095	2.41	0.313	7.95	POLY BAGS	NOTE 10	NO	OB
90719-XY	0.384	9.75	0.106	2.69	0.178	4.52	POLY BAGS	-	NO	
90726-XXX	0.440	11.18	0.110	2.79	0.230	5.84	POLY BAGS	-	YES	OB
91276-XY	1.225	31.12	0.225	5.72	0.900	22.86	POLY BAGS	-	NO	NOTE 1,12
92020-XXX	0.372	9.45	0.094	2.39	0.178	4.52	POLY BAGS	-	NO	OB
92418-XXX	0.572	14.53	0.118	3.00	0.354	8.99	POLY BAGS	-	NO	OB
93167-XXX	0.394	10.01	0.059	1.50	0.235	5.97	POLY BAGS	-	NO	OB
93287-XYH	0.585	14.86	0.085	2.16	0.400	10.16	POLY BAGS	-	NO	
93944-XY	0.941	23.90	0.130	3.30	0.711	18.06	POLY BAGS	-	NO	
93992-XYH	0.415	10.54	0.085	2.16	0.230	5.84	POLY BAGS	-	NO	
94063-XY	0.376	9.55	0.138	3.51	0.138	3.51	POLY BAGS	NOTE 10	NO	
94094-XXX	0.592	15.04	0.314	7.98	0.178	4.52	POLY BAGS	-	NO	OB
94544-XXX	0.550	13.97	0.130	3.30	0.330	8.38	POLY BAGS	NOTE 10	NO	OB
94611-XYH	0.320	8.13	0.095	2.41	0.125	3.18	POLY BAGS	-	NO	
95017-XYH	0.560	14.22	0.060	1.52	0.400	10.16	POLY BAGS	-	NO	OB
95103-XXX	1.064	27.03	0.433	11.00	0.531	13.49	POLY BAGS	NOTE 10	NO	OB
95104-XXX	0.370	9.40	0.126	3.20	0.144	3.66	POLY BAGS	NOTE 10	NO	OB
95648-XYH	0.655	16.64	0.155	3.94	0.400	10.16	POLY BAGS	-	NO	OB
95655-XXX	1.164	29.57	0.095	2.41	0.969	24.61	POLY BAGS	NOTE 10	NO	OB
98001-XYH	0.610	15.49	0.420	10.67	0.090	2.29	POLY BAGS	-	NO	OB
98136-XYH	0.475	12.07	0.095	2.41	0.280	7.11	POLY BAGS	-	NO	OB
10004394-XYH	0.290	7.37	0.095	2.41	0.095	2.41	POLY BAGS	-	NO	OB
10076764-XYH	0.479	12.19	0.114	2.9	0.265	6.75	POLY BAGS	-	YES	OB
10103017-XXX	0.335	8.51	0.130	3.30	0.105	2.67	POLY BAGS	-	NO	OB
10121349-XY	0.626	15.9	0.120	3.05	0.406	10.3	POLY BAGS/TAPE REEL	-	NO	NOTE 1,12

A

B

C

D

A

B

C

D



Copyright FCI.

www.fciconnect.com			surface ISO 1302 ✓	tolerance std ISO 406 ISO 1101	projection	INCH/MM
			TOLERANCES UNLESS OTHERWISE SPECIFIED			← →
Dr	T.BREWBAKER	01/05/95	ANGULAR	0.X ±0.3	size A4	Scale 1.000
Eng	T.HANNA	01/05/95	LINEAR	0.XX ±0.15	ECN	
Chr	J.MURPHY	01/05/95	0° ±2°	0.XXX ±0.05	Spec ref	
Appr	T.HANNA	01/05/95	Product family	BERGSTIK		
	title BERGSTIK® II HEADER .100/2.54cc SR STRAIGHT			dwg no 68000	Rev. DC	
catalog no			CUSTOMER		sheet 8 of 8	

1

2

3

4

X-ON Electronics

Largest Supplier of Electrical and Electronic Components

Click to view similar products for [Headers & Wire Housings](#) category:

Click to view products by [Amphenol](#) manufacturer:

Other Similar products are found below :

[57102-F02-18ULF](#) [58102-G61-06LF](#) [0009485154](#) [009176003701906](#) [0050291907](#) [02.125.8002.8](#) [609-3404](#) [61062-3](#) [622-0430](#) [622-3653LF](#)
[63453-116](#) [636-1030](#) [636-1427](#) [636-3427](#) [636-4007](#) [641938-9](#) [644827-2](#) [65495-038](#) [65692-001LF](#) [65781-018](#) [65781-047](#) [65817-010LF](#)
[65817-015LF](#) [66207-023LF](#) [67016-026LF](#) [67095-007LF](#) [68631-112](#) [68645-018](#) [68648-049](#) [699319-000](#) [70.362.1628.0](#) [70-4210](#) [70-4226B](#)
[70-4853B](#) [707-5020](#) [707-5028](#) [71.350.2428.0](#) [71961-016LF](#) [733-134](#) [754199-000](#) [760-3052](#) [787-8014-00](#) [FCN-367T-T012/H](#) [80.063.4001.1](#)
[800-90-001-10-001000](#) [800-90-010-10-002000](#) [801-43-002-10-013000](#) [801-43-006-10-002000](#) [803-41-018-10-001000](#) [803-43-014-20-](#)
[001000](#)