

1

2

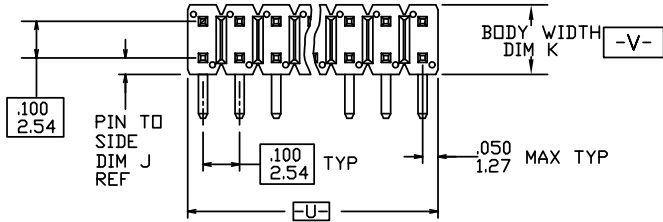
3

4

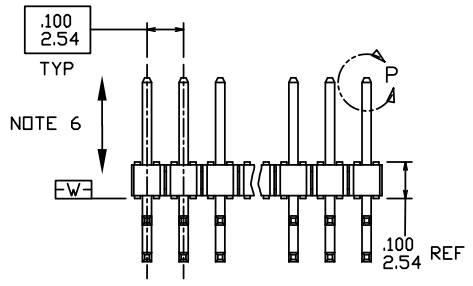
PRODUCT NUMBER

XXXXX-YYYHTLF

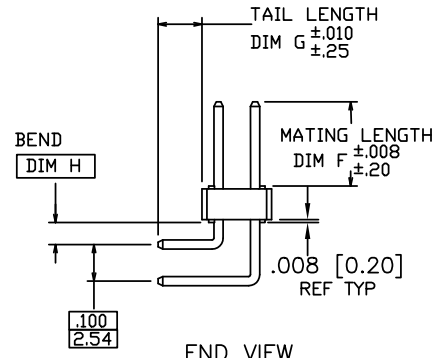
- LEAD FREE OPTION
SEE NOTE 1,11
- TUBE PACKAGING OPTION
SEE NOTE 1
- HIGH TEMPERATURE PLASTIC
SEE NOTE 1
- NO OF POSITIONS
SEE NOTE 1
- PIN PLATING
SEE SHEET 2
- BASE PART NO.



TOP VIEW

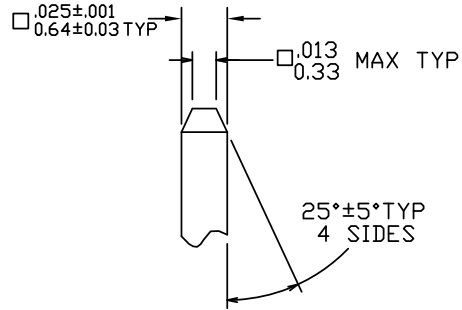


SIDE VIEW



END VIEW

⊕ ∅ .020/.51 (M) U (M) V (S) W
NOTE 4



DETAIL P
TYP BOTH ENDS

| rev | ecn no | dr | date |
|-----|----------|-----|------------|
| AB | V20801 | MHT | 4/29/02 |
| AC | M04-0234 | AGS | 12/29/05 |
| AD | M05-0072 | MHT | 5/03/05 |
| AE | M06-0269 | MHT | 7/17/06 |
| AF | M06-0346 | MHT | 9/04/06 |
| AG | M08-0291 | MHT | 10/06/08 |
| AH | N11-0118 | J.Z | 2011-04-12 |

| | | | | | | |
|--------------------|------------|---------|---|-----------------------------------|----------------------|--------------|
| www.fciconnect.com | | | surface 6.4 ISO 1302 | tolerance std ISO 406 ISO 1101 | projection ISO 10 | INCH/MM |
| Dr | D. WITHING | 4/08/93 | TOLERANCES UNLESS OTHERWISE SPECIFIED | | size | A4 |
| Eng | T.HANNA | 4/08/93 | ANGULAR | LINEAR | 0.X ±0.3 | Scale 1.000 |
| Chr | T.HANNA | 4/08/93 | 0° ±2° | | 0.XX ±0.15 | ECN N11-0118 |
| Appr | T.HANNA | 4/08/93 | Product family BERGSTIK | | Spec ref | |
| FCI | | | title BERGSTIK® II HEADER .100 DR R/A SELF-RET | | dwg no | 69193 |
| | | | catalog no | | CUSTOMER | sheet 1 of 4 |
| | | | | | Rev. | AH |



Copyright FCI.

1

2

| PIN PLATING CODES: | |
|--------------------|---|
| XXXX-1YY | 30u"/0.76u MIN (SEE NOTE 12) OVER 50u"/1.27u MIN Ni |
| XXXX-2YY | 15u"/0.38u MIN (SEE NOTE 12) OVER 50u"/1.27u MIN Ni |
| XXXX-3YY | 50u"/1.27u MIN (SEE NOTE 12) OVER 50u"/1.27u MIN Ni |
| XXXX-4YY | 100u"/2.54u MIN Sn OVER 50u"/1.27u MIN Ni (SEE NOTE 13) |
| XXXX-4YYHLF | |
| XXXX-5YY | 15u"/0.38u MIN (SEE NOTE 12) OVER 50u"/1.27u MIN Ni |
| XXXX-6YY | 30u"/0.76u MIN (SEE NOTE 12) OVER 50u"/1.27u MIN Ni |
| XXXX-7YY | 30u"/0.76u MIN (SEE NOTE 12) OVER 50u"/1.27u MIN Ni |
| XXXX-8YY | 15u"/0.38u MIN (SEE NOTE 12) OVER 50u"/1.27u MIN Ni |
| XXXX-9YY | 15u"/0.38u MIN (SEE NOTE 12) OVER 50u"/1.27u MIN Ni |
| XXXX-0YY | 30u"/0.76u MIN (SEE NOTE 12) OVER 50u"/1.27u MIN Ni |

NOTES

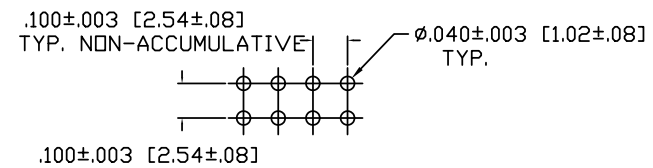
1. PART NUMBER OPTIONS:
 PIN PLATING CODES (SEE ABOVE)
 HIGH TEMP. MATERIAL:
 FOR HIGH-TEMPERATURE APPLICATIONS, SPECIFY AN "H" AT THE END OF THE PART NUMBER, AND PCT WILL BE SUPPLIED.
 NUMBER OF POSITION:
 ANY NUMBER OF POSITIONS FROM 2 (2X1) THRU 72 (2X36).
 PACKAGING:
 PACKAGED IN POLY BAGS.
 EIGHT DIGIT PART NUMBERS FOLLOWED BY A "T" ARE PACKAGED IN TUBES. SEE SPECIFIC PART NUMBERS FOR AVAILABILITY.
 LEAD FREE:
 ADD "HLF" SUFFIX AT THE END OF PART NUMBER FOR LEAD FREE OPTION, NOT AVAILABLE FOR -5YY,-5YYH,-6YY & -6YYH.

2. BODY MATERIAL:
 MANUFACTURER'S OPTION OF NYLON OR PCT, GLASS FIBER REINFORCED, FLAME RETARDENT PER UL-94V-0.
 COLOR: BLACK OR MINERAL FILLED LCP, COLOR BLACK
 FLAME RETARDENT PER UL-94V-0.

PART NUMBERS WITH "H" SUFFIX WILL WITHSTAND EXPOSURE TO 260°C PEAK TEMPERATURE FOR 20 SECONDS IN WAVE SOLDER, INFRA-RED OR VAPOR PHASE SOLDER PROCESS.

PART NUMBERS WITHOUT "H" SUFFIX WILL WITHSTAND EXPOSURE TO 260°C PEAK TEMPERATURE FOR WAVE SOLDER PROCESS.

- 3. PIN MATERIAL: PHOS-BRONZE.
- 4. MEASURED WITH PART IN RESTRAINED CONDITION.
- 5. TWO SIDES OF PIN TIPS NOT PLATED. TYPICAL BOTH ENDS.
- 6. 2LBS/0.9KG MIN PIN RETENTION IN EITHER DIRECTION.
- 7. ±.010/0.25 TOL. APPLIES TO ALL "G" TAILS EXCEPT INDICATED PARTS ON TABLE WHERE +.010/0.25,-.000/0.00 APPLIES.
- 8. SECTION R-R DIMENSIONS APPLY SPECIFIED ENDS OF RETENTION PIN POSITIONS ONLY. SEE PRODUCT PART NUMBER FOR SINGLE OR DUAL SIDE RETENTION LOCATED AT MANUFACTURES OPTION.
- 9. SECTION S-S DIMENSIONS APPLY TO DUAL RETENTION PIN POSITIONS ONLY, SEE PRODUCT PART NUMBER FOR SINGLE OR DUAL SIDE RETENTION. LOCATED AT MANUFACTURES OPTION.
- 10. 5LB/2.3KG MAX INSERTION FORCE AND .25LB/.1KG MIN RETENTION FORCE PER RETENTIVE PIN USING .062/1.57 THICK CIRCUIT BOARDS AND RECOMMENDED HOLE PATTERN.
- 11. THESE PRODUCTS MEETS EUROPEAN UNION DIRECTIVES AND OTHER COUNTRY REGULATION AS DESCRIBED IN GS-22-008.
- 12. PLATING OPTIONS:
 PERFORMANCE PLATING WILL BE EITHER GOLD OR GXT ON POST OR TAIL, OPTIONALLY (78~295u"/2~7.5u) TIN ON TAIL.
- 13. THIS PRODUCT HAS 100% TIN PLATING IN THE INTERFACE AND HAS NOT BEEN TESTED FOR WHISKER GROWTH IN ALL INTERCONNECT ENVIRONMENTS.



RECOMMENDED HOLE PATTERN

| | | | | | | |
|--------------------|------------|---------|---------------------------------------|-----------------------------------|------------------|--------------|
| www.fciconnect.com | | | surface ISO 1302 ✓ | tolerance std ISO 406 ISO 1101 | projection A4 | INCH/MM |
| | | | TOLERANCES UNLESS OTHERWISE SPECIFIED | | | |
| Dr | D. WITTING | 4/08/93 | ANGULAR | 0.X ±0.3 | size | Scale |
| Eng | T.HANNA | 4/08/93 | LINEAR | 0.XX ±0.15 | A4 | 1.000 |
| Chr | T.HANNA | 4/08/93 | 0° ±2° | 0.XXX ±0.05 | ECN | N11-0118 |
| Appr | T.HANNA | 4/08/93 | Product family | BERGSTIK | Spec ref | |
| FCI | | | title | BERGSTIK® II HEADER | | Rev. |
| | | | | .100 DR R/A SELF-RET | | AH |
| | | | catalog no | CUSTOMER | 69193 | sheet 2 of 4 |



Copyright FCI.

1

2

3

4

A

B

C

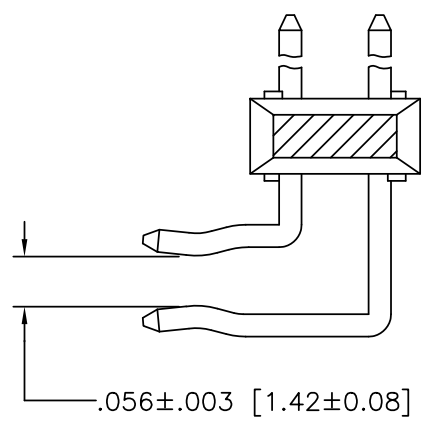
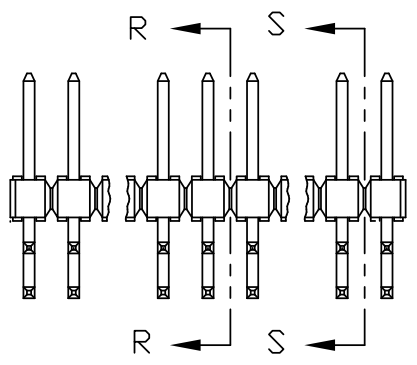
D

A

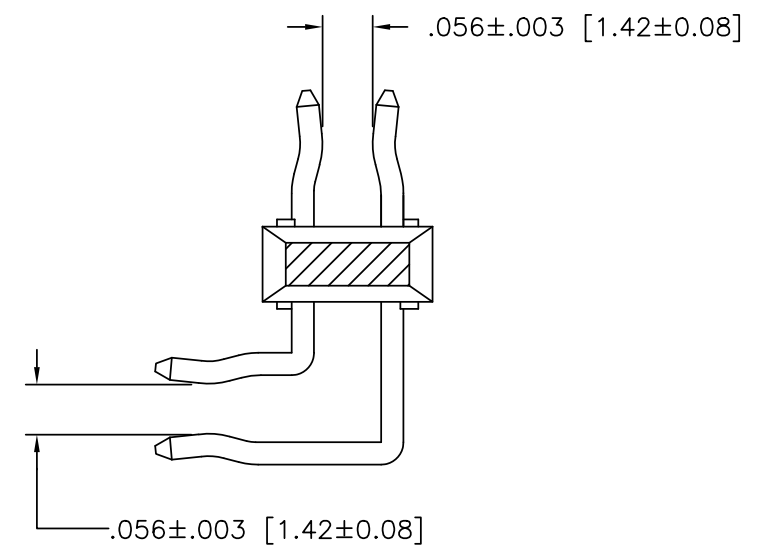
B

C

D



SECTION R-R
NOTE 8



SECTION S-S
NOTE 9

| | | | | | | | | | | |
|---------------------------------------|------------|---------|--|--|-----------------------------------|--|-----------------|--|----------------|--|
| www.fciconnect.com | | | surface ISO 1302 ✓ | | tolerance std ISO 406 ISO 1101 | | projection ⊕ | | INCH/MM ↔ | |
| TOLERANCES UNLESS OTHERWISE SPECIFIED | | | ANGULAR | | LINEAR | | size A4 | | Scale 1.000 | |
| Dr | D. WITHING | 4/08/93 | 0° | | 0.X | | ECN | | N11-0118 | |
| Eng | T.HANNA | 4/08/93 | ±2° | | 0.XX | | Spec ref | | | |
| Chr | T.HANNA | 4/08/93 | | | 0.XXX | | | | | |
| Appr | T.HANNA | 4/08/93 | Product family | | BERGSTIK | | | | | |
| FCI | | | title BERGSTIK® II HEADER .100 DR R/A SELF-RET | | | | dwg no 69193 | | Rev. AH | |
| | | | catalog no | | | | CUSTOMER | | sheet 3 of 4 | |



Copyright FCI.

REV F - 2006-04-17

PDM: Rev:AH

STATUS Released

4 Printed: Apr 20, 2011

1

2

3

4

| PRODUCT NUMBER | MATING LENGTH | | TAIL LENGTH | | BEND DIM. | | PIN TO SIDE | | BODY WIDTH | | RETENTION | LOCATION | PACKAGING | NOTES | LF OPTION |
|----------------|-------------------------|-------|-------------|-------|-----------|-------|-------------|-------|------------|-------|-----------|-----------------|-----------|----------------|-----------|
| | DIM F | DIM F | DIM G | DIM G | DIM H | DIM H | DIM J | DIM J | DIM K | DIM K | | | | | |
| 69193-XYX | 0.230 | 5.84 | 0.120 | 3.05 | 0.060 | 1.52 | 0.045 | 1.14 | 0.190 | 4.83 | G TAIL | POLY BAGS | - | NOTE 1,11 ↓ | |
| 78253-XYX | N O T A V A I L A B L E | | | | | | | | | | | | | | |
| 78276-XYX | 0.318 | 8.08 | 0.120 | 3.05 | 0.060 | 1.52 | 0.070 | 1.78 | 0.240 | 6.10 | G TAIL | POLY BAGS/TUBES | - | | |
| 78299-XYX | 0.230 | 5.84 | 0.120 | 3.05 | 0.060 | 1.52 | 0.070 | 1.78 | 0.240 | 6.10 | G TAIL | POLY BAGS/TUBES | - | | |
| 86381-XYX | 0.250 | 6.35 | 0.120 | 3.05 | 0.060 | 1.52 | 0.070 | 1.78 | 0.240 | 6.10 | G TAIL | POLY BAGS | - | | |
| 87227-XYX | 0.318 | 8.08 | 0.120 | 3.05 | 0.060 | 1.52 | 0.045 | 1.14 | 0.190 | 4.83 | G TAIL | POLY BAGS | - | | |
| 87801-XYX | N O T A V A I L A B L E | | | | | | | | | | | | | | |
| 87845-XYX | 0.230 | 5.84 | 0.085 | 2.16 | 0.060 | 1.52 | 0.070 | 1.78 | 0.240 | 6.10 | G TAIL | POLY BAGS/TUBES | 7 | | |
| 90305-XYX | 0.165 | 4.19 | 0.120 | 3.05 | 0.060 | 1.52 | 0.070 | 1.78 | 0.240 | 6.10 | G TAIL | POLY BAGS/TUBES | 7 | | |
| 93150-XYX | 0.275 | 6.99 | 0.120 | 3.05 | 0.060 | 1.52 | 0.045 | 1.14 | 0.190 | 4.83 | G TAIL | POLY BAGS | - | | |
| 93240-XYX | 0.338 | 8.59 | 0.120 | 3.05 | 0.060 | 1.52 | 0.070 | 1.78 | 0.240 | 6.10 | G TAIL | POLY BAGS | - | | |
| 94048-XYXH | 0.380 | 9.65 | 0.120 | 3.05 | 0.060 | 1.52 | 0.070 | 1.78 | 0.240 | 6.10 | G TAIL | POLY BAGS | - | | NOTE 1,11 |

A

A

B

B

C

C

D

D



Copyright FCI.

| | | | | | |
|---------------------------------------|--|---------------------|-----------------------------------|----------------|----------------|
| www.fciconnect.com | | surface ISO 1302 | tolerance std ISO 406 ISO 1101 | projection | INCH/MM ←→ |
| TOLERANCES UNLESS OTHERWISE SPECIFIED | | ANGULAR | LINEAR | size A4 | Scale 1.000 |
| Dr | D. WITHING | 4/08/93 | 0.X | ±0.3 | ECN N11-0118 |
| Eng | T.HANNA | 4/08/93 | 0.XX | ±0.15 | |
| Chr | T.HANNA | 4/08/93 | 0.XXX | ±0.05 | |
| Appr | T.HANNA | 4/08/93 | Product family BERGSTIK | | Spec ref |
| | title BERGSTIK® II HEADER .100 DR R/A SELF-RET | catalog no | dwg no 69193 | Rev. AH | sheet 4 of 4 |

REV F - 2006-04-17

1

2

PDM: Rev:AH

STATUS Released 4 Printed: Apr 20, 2011

X-ON Electronics

Largest Supplier of Electrical and Electronic Components

Click to view similar products for [Headers & Wire Housings](#) category:

Click to view products by [Amphenol](#) manufacturer:

Other Similar products are found below :

[892-18-020-10-001101](#) [58102-G61-06LF](#) [582553-1](#) [0009485154](#) [009176003701906](#) [0050291907](#) [LY20-4P-DT1-P1E-BR](#) [02.125.8002.8](#)
[609-3404](#) [61062-3](#) [622-0430](#) [622-3653LF](#) [63453-116](#) [636-1030](#) [636-1427](#) [636-3427](#) [636-4007](#) [641938-9](#) [641991-4](#) [644827-2](#) [65817-010LF](#)
[65817-015LF](#) [65863-015LF](#) [66207-023LF](#) [67095-007LF](#) [67601157](#) [68648-049](#) [70.362.1628.0](#) [70-4210](#) [70-4226B](#) [70-4853B](#) [707-5020](#) [707-5028](#) [71.350.2428.0](#) [71918-208LF](#) [71961-016LF](#) [733-134](#) [733-162](#) [754199-000](#) [760-3052](#) [787-8014-00](#) [79531-3000](#) [FCN-360C032-B](#) [FCN-367T-T012/H](#) [FCN-723D010/2](#) [80.063.4001.1](#) [800-90-001-10-001000](#) [800-90-010-10-002000](#) [801-43-002-10-013000](#) [801-43-006-10-002000](#)