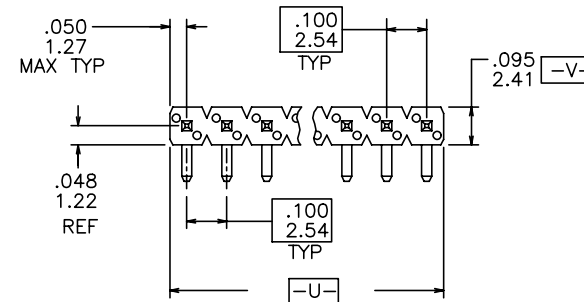


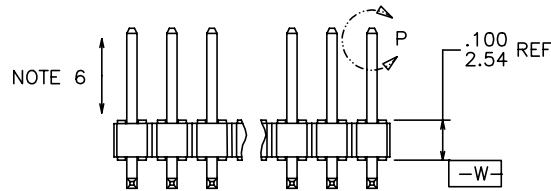
PRODUCT NUMBER

XXXXX-YYY HTLF

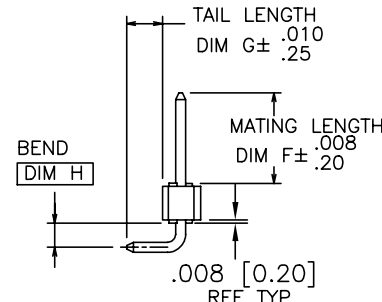
- LEAD FREE OPTION
SEE NOTE 1,11
- TUBE PACKAGING OPTION
SEE NOTE 1
- HIGH TEMPERATURE PLASTIC
SEE NOTE 1
- NO OF POSITIONS
SEE NOTE 1
- PIN PLATING
SEE SHEET 2
- BASE PART NO.



TOP VIEW



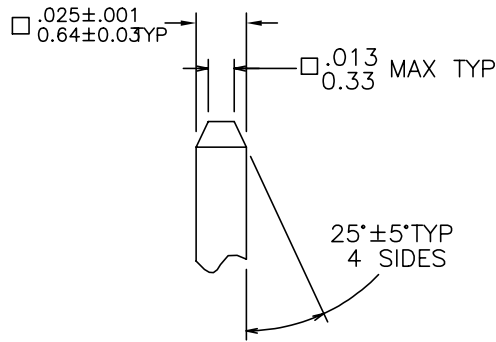
SIDE VIEW



END VIEW

⊕ ⌀.020/0.51 (M) U (M) V (S) W

NOTE 4



DETAIL P
TYP BOTH ENDS

| rev | ecn no | dr | date |
|-----|-------------|-----|------------|
| AK | ELX-N-16105 | ZK | 2013-10-22 |
| AL | ELX-N-17149 | ZK | 2014-03-07 |
| CU | M05-0072 | MHT | 5/03/05 |
| CV | M06-0435 | MHT | 10/31/06 |
| AH | M08-0291 | MHT | 10/06/08 |
| AJ | N11-0118 | J.Z | 2011-04-11 |

| | | | | | | |
|---------------------------------------|-----------|----------|---|-----------------------------------|----------------------|-------------|
| www.fciconnect.com | | | surface 6.4 ISO 1302 | tolerance std ISO 406 ISO 1101 | projection ISO 10 | INCH/MM |
| TOLERANCES UNLESS OTHERWISE SPECIFIED | | | ANGULAR | LINEAR | size A4 | Scale 1.000 |
| Dr | D.WHITING | 04/07/93 | 0° | ±2° | 0.X ±0.3 | ECN |
| Eng | T.HANNA | 04/07/93 | 0.XX ±0.15 | 0.XXX ±0.05 | ECN | Spec ref |
| Chr | T.HANNA | 04/07/93 | Product family BERGSTIK | | Spec ref | |
| Appr | T.HANNA | 04/07/93 | Product family BERGSTIK | | Spec ref | |
| FCI | | | title BERGSTIK® II HEADER .100 SR R/A SELF-RET | | dwg no 69191 | |
| catalog no | | | CUSTOMER | | Rev. AL | |
| | | | sheet 1 of 4 | | | |



Copyright FCI.

PIN PLATING CODES:

| | |
|-------------|---|
| XXXX-1YY | 30u"/0.76u MIN (SEE NOTE 12) OVER 50u"/1.27u MIN Ni |
| XXXX-2YY | 15u"/0.38u MIN (SEE NOTE 12) OVER 50u"/1.27u MIN Ni |
| XXXX-3YY | 50u"/1.27u MIN (SEE NOTE 12) OVER 50u"/1.27u MIN Ni |
| XXXX-4YY | 100u"/2.54u MIN Sn OVER 50u"/1.27u MIN Ni (SEE NOTE 1,13) |
| XXXX-4YYHLF | |
| XXXX-5YY | 15u"/0.38u MIN (SEE NOTE 12) OVER 50u"/1.27u MIN Ni |
| XXXX-6YY | 30u"/0.76u MIN (SEE NOTE 12) OVER 50u"/1.27u MIN Ni |
| XXXX-7YY | 30u"/0.76u MIN (SEE NOTE 12) OVER 50u"/1.27u MIN Ni |
| XXXX-8YY | 15u"/0.38u MIN (SEE NOTE 12) OVER 50u"/1.27u MIN Ni |
| XXXX-9YY | 15u"/0.38u MIN (SEE NOTE 12) OVER 50u"/1.27u MIN Ni |
| XXXX-0YY | 30u"/0.76u MIN (SEE NOTE 12) OVER 50u"/1.27u MIN Ni |

NOTES

1. PART NUMBER OPTIONS:

PIN PLATING CODES (SEE ABOVE)

HIGH TEMP. MATERIAL:

FOR HIGH-TEMPERATURE APPLICATIONS, SPECIFY AN "H" AT THE END OF THE PART NUMBER, AND PCT WILL BE SUPPLIED.

NUMBER OF POSITION:

ANY NUMBER OF POSITIONS FROM 2 THRU 36.

PACKAGING:

PACKAGED IN POLY BAGS.

EIGHT DIGIT PART NUMBERS FOLLOWED BY A "T" ARE PACKAGED IN TUBES. SEE SPECIFIC PART NUMBERS FOR AVAILABILITY.

LEAD FREE:

ADD "HLF" SUFFIX AT THE END OF PART NUMBER FOR LEAD FREE OPTION, NOT AVAILABLE FOR -5YY,-5YYH,-6YY & -6YYH.

E. BODY MATERIAL:

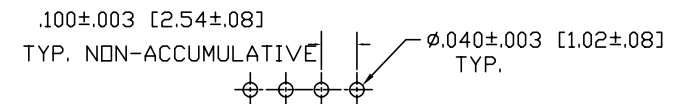
MANUFACTURER'S OPTION OF NYLON OR PCT, GLASS FIBER REINFORCED, FLAME RETARDENT PER UL-94V-0.

COLOR: BLACK. OR MINERAL FILLED LCP, COLOR BLACK FLAME RETARDENT PER UL-94V-0

PART NUMBERS WITH "H" SUFFIX WILL WITHSTAND EXPOSURE TO 260°C PEAK TEMPERATURE FOR 20 SECONDS IN WAVE SOLDER, INFRA-RED OR VAPOR PHASE SOLDER PROCESS.

PART NUMBERS WITHOUT "H" SUFFIX WILL WITHSTAND EXPOSURE TO 260°C PEAK TEMPERATURE FOR WAVE SOLDER PROCESS.

- 3. PIN MATERIAL: PHOS-BRONZE.
- 4. MEASURED WITH PART IN RESTRAINED CONDITION.
- 5. TWO SIDES OF PIN TIPS NOT PLATED, TYPICAL BOTH ENDS.
- 6. 2LBS/0.9KG MIN PIN RETENTION IN EITHER DIRECTION.
- 7. ±.010/0.25 ON DIM "F" APPLIES TO THIS PART ONLY.
- 8. 5LB/2.3KG MAX INSERTION FORCE AND .25LB/.1KG MIN RETENTION FORCE PER RETENTIVE PIN USING .062/1.57 THICK CIRCUIT BOARDS AND RECOMMENDED HOLE PATTERN.
- 8. DETAIL N DIMENSIONS APPLY TO 2 POSITION PARTS ONLY
- 9. SECTION R-R DIMENSIONS ONLY APPLY TO RETENTION. PIN POSITIONS FOR 3 POSITION PARTS AND LARGER. RETENTION PIN POSITIONS LOCATED AT MANUFACTURES OPTION.
- 10. SECTION S-S DIMENSIONS APPLY TO DUAL RETENTION PIN POSITIONS ONLY. SEE PRODUCT PART NUMBER FOR SINGLE OR DUAL SIDE RETENTION. LOCATED AT MANUFACTURER'S OPTION.
- 11. THESE PRODUCTS MEETS EUROPEAN UNION DIRECTIVES AND OTHER COUNTRY REGULATION AS DESCRIBED IN GS-22-008.
- 12. PLATING OPTIONS: PERFORMANCE PLATING WILL BE EITHER GOLD OR GXT ON POST OR TAIL, OPTIONALLY (78~295u"/2~7.5u) TIN ON TAIL.
- 13. "THIS PRODUCT HAS 100% TIN PLATING IN THE INTERFACE AND HAS NOT BEEN TESTED FOR WHISKER GROWTH IN ALL INTERCONNECT ENVIRONMENTS."



RECOMMENDED HOLE PATTERN

| | | | | | | |
|--------------------|-----------|----------|---------------------------------------|---|------------------|---------|
| www.fciconnect.com | | | surface ISO 1302 ✓ | tolerance std ISO 406 ISO 1101 | projection A4 | INCH/MM |
| | | | TOLERANCES UNLESS OTHERWISE SPECIFIED | | ←→ | |
| Dr | D.WHITING | 04/07/93 | ANGULAR | 0.X ±0.3 | size | Scale |
| Eng | T.HANNA | 04/07/93 | LINEAR | 0.XX ±0.15 | A4 | 1.000 |
| Chr | T.HANNA | 04/07/93 | 0° ±2° | 0.XXX ±0.05 | ECN | |
| Appr | T.HANNA | 04/07/93 | Product family | BERGSTIK | Spec ref | |
| FCI | | | title | BERGSTIK® II HEADER .100 SR R/A SELF-RET | dwg no | 69191 |
| | | | catalog no | CUSTOMER | Rev. | AL |
| | | | | | sheet 2 of 4 | |



Copyright FCI.

1

2

3

4

A

B

C

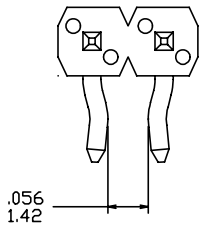
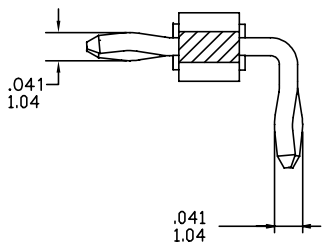
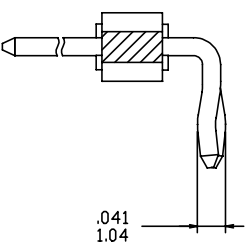
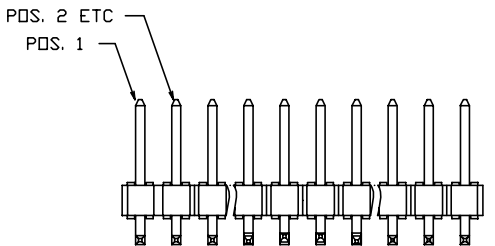
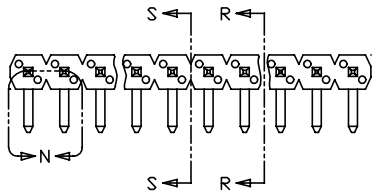
D

A

B

C

D



Copyright FCI.

| | | | | | | | | | | |
|---------------------------------------|-----------|----------|-----------------------|--|-----------------------------------|--|------------------|--|---------------|--|
| www.fciconnect.com | | | surface ISO 1302 ✓ | | tolerance std ISO 406 ISO 1101 | | projection A4 | | INCH/MM ←→ | |
| TOLERANCES UNLESS OTHERWISE SPECIFIED | | | ANGULAR | | LINEAR | | size | | Scale | |
| Dr | D.WHITING | 04/07/93 | 0° | | 0.X | | A4 | | 1.000 | |
| Eng | T.HANNA | 04/07/93 | ±2° | | 0.XX | | ECN | | | |
| Chr | T.HANNA | 04/07/93 | | | 0.XXX | | | | | |
| Appr | T.HANNA | 04/07/93 | | | | | Product family | | Spec ref | |
| | | | title | | BERGSTIK® II HEADER | | dwg no | | Rev. | |
| | | | | | .100 SR R/A SELF-RET | | 69191 | | AL | |
| | | | catalog no | | CUSTOMER | | sheet 3 of 4 | | | |

REV F - 2006-04-17

1

2

3

4

PDS: Rev :AL

STATUS:Released

Printed: Mar 10, 2014

1

2

3

4

| PRODUCT NUMBER | MATING LENGTH | | TAIL LENGTH | | BEND DIM | | RETENTION | PACKAGING | NOTES | LF OPTION |
|-----------------------|-----------------------|------------------|------------------|-----------------|------------------|-----------------|--------------------------------|----------------------------|--------------|-----------|
| | DIM F | DIM F | DIM G | DIM G | DIM H | DIM H | | | | |
| 69191-XYX | 0.230 | 5.84 | 0.120 | 3.05 | 0.060 | 1.52 | G TAIL | POLY BAGS/TUBES | - | NOTE 1,11 |
| 72375-XYXH | 0.240 | 6.10 | 0.120 | 3.05 | 0.060 | 1.52 | G TAIL | POLY BAGS | - | OB |
| 78554-XYX | 0.318 | 8.08 | 0.120 | 3.05 | 0.060 | 1.52 | G TAIL | POLY BAGS/TUBES | - | |
| 78940-XYX | 0.120 | 3.05 | 0.120 | 3.05 | 0.060 | 1.52 | F MATE & G TAIL | POLY BAGS | 7 | OB |
| 78952-XYX | 0.120 | 3.05 | 0.318 | 8.08 | 0.135 | 3.43 | F MATE | POLY BAGS | 7 | OB |
| 79253-XYX | U N A V A I L A B L E | | | | | | | | | |
| 84825-XYXH | 0.354 | 9.00 | 0.102 | 2.60 | 0.060 | 1.52 | G TAIL | POLY BAGS | - | OB |
| 84851-XYXH | 0.140 | 3.56 | 0.290 | 7.37 | 0.153 | 3.89 | G TAIL | POLY BAGS | - | OB |
| 86641-XYX | 0.120 | 3.05 | 0.120 | 3.05 | 0.060 | 1.52 | G TAIL | POLY BAGS | - | |
| 87018-XYX | U N A V A I L A B L E | | | | | | | | | |
| 87844-XYX | U N A V A I L A B L E | | | | | | | | | |
| 87965-XYX | U N A V A I L A B L E | | | | | | | | | |
| 88869-XYX | 0.120 | 3.05 | 0.230 | 5.84 | 0.135 | 3.43 | F MATE | POLY BAGS | 7 | OB |
| 90304-XYX | 0.165 | 4.19 | 0.120 | 3.05 | 0.060 | 1.52 | G TAIL | POLY BAGS | - | OB |
| 90604-XYX | U N A V A I L A B L E | | | | | | | | | |
| 90609-XYX | U N A V A I L A B L E | | | | | | | | | |
| 90638-XYX | 0.120 | 3.05 | 0.262 | 6.65 | 0.060 | 1.52 | F MATE | POLY BAGS/TUBES | 7 | OB |
| 90640-XYX | 0.120 | 3.05 | 0.262 | 6.65 | 0.127 | 3.23 | F MATE | POLY BAGS | 7 | OB |
| 94669-XYXH | 0.230 | 5.84 | 0.085 | 2.16 | 0.060 | 1.52 | G TAIL | POLY BAGS | - | OB |
| 94670-XYXH | 0.400 | 10.16 | 0.085 | 2.16 | 0.060 | 1.52 | G TAIL | POLY BAGS | - | OB |
| 10100500-XYXH | 0.177 | 4.50 | 0.120 | 3.05 | 0.043 | 1.10 | G TAIL | POLY BAGS | - | |



Copyright FCI.

| | | | | | |
|--------------------|-----------|---------------------------------------|-----------------------------------|------------------|-------------|
| www.fciconnect.com | | surface ISO 1302 ✓ | tolerance std ISO 406 ISO 1101 | projection A4 | INCH/MM |
| | | TOLERANCES UNLESS OTHERWISE SPECIFIED | | ←→ | |
| Dr | D.WHITING | 04/07/93 | ANGULAR | 0.X ±0.3 | size A4 |
| Eng | T.HANNA | 04/07/93 | LINEAR | 0.XX ±0.15 | Scale 1.000 |
| Chr | T.HANNA | 04/07/93 | 0° ±2° | 0.XXX ±0.05 | ECN |
| Appr | T.HANNA | 04/07/93 | Product family | BERGSTIK | Spec ref |
| FCI | | title | | Rev. | |
| | | BERGSTIK® II HEADER | | AL | |
| | | .100 SR R/A SELF-RET | | 69191 | |
| | | catalog no | | CUSTOMER | |
| | | | | sheet 4 of 4 | |

REV F - 2006-04-17

1

2

3

4

X-ON Electronics

Largest Supplier of Electrical and Electronic Components

Click to view similar products for [Headers & Wire Housings](#) category:

Click to view products by [Amphenol](#) manufacturer:

Other Similar products are found below :

[95000-104TRLF](#) [10135584-644402LF](#) [DF62W-EP2022PCA](#) [95000-106TRLF](#) [DF62W-2022SCA](#) [DF62W-EP2022PC](#) [2203348](#) [DF62W-2022SC](#) [1084018](#) [1029039](#) [1084017](#) [802-10-012-10-002000](#) [1112640](#) [1112639](#) [891-007-9SS-BST1T](#) [000-34000](#) [0008550134](#) [0009482033](#) [0009507031](#) [57102-F02-18ULF](#) [57102-S06-03LF](#) [57202-S52-04LF](#) [PCN6-15S-2.5E](#) [0039019024](#) [58102-G61-06LF](#) [582553-1](#) [0009485154](#) [0009508121](#) [0022285053](#) [0050291907](#) [018731A](#) [LY20-4P-DT1-P1E-BR](#) [02.125.8002.8](#) [60101931](#) [60598-1 \(Cut Strip\)](#) [M1625-3R/100](#) [61062-3](#) [61082-181009](#) [CSU011177004](#) [636-1427](#) [638009-1](#) [641938-9](#) [641991-4](#) [644168-1](#) [644827-2](#) [647662-1](#) [65039-019ELF](#) [65692-001LF](#) [65781-018](#) [65781-047](#)