

Extremely low-frequency accelerometer

786LF series

SPECIFICATIONS

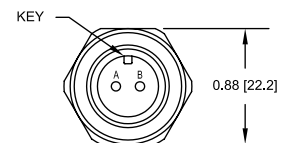
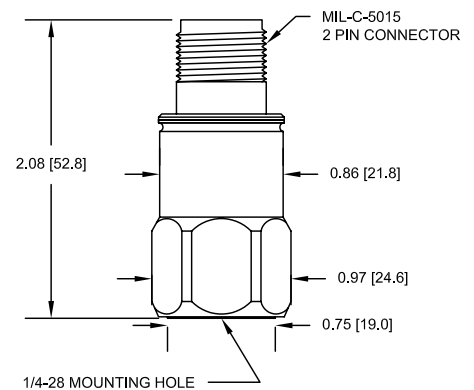
	786LF	786LF-250	786LF-500
Sensitivity, $\pm 5\%$, 25°C	100 mV/g	250 mV/g	500 mV/g
Acceleration range, VDC > 22 V	50 g peak	20 g peak	10 g peak
Amplitude nonlinearity	1%		
Frequency response:			
$\pm 5\%$	0.35 - 5,000 Hz		
$\pm 10\%$	0.25 - 8,000 Hz		
± 3 dB	0.10 - 13,000 Hz		
Resonance frequency, nominal	30 kHz		
Transverse sensitivity, max	5% of axial		
Temperature response:			
-25°C	-10%		
+120°C	+15%		
Power requirement:			
Voltage source	18 - 30 VDC		
Current regulating diode	2 - 10 mA		
Electrical noise, equiv. g:			
Broadband 2.5 Hz to 25 kHz	400 μ g rms	350 μ g rms	250 μ g rms
Spectral 10 Hz	5.0 μ g/ $\sqrt{\text{Hz}}$	4.0 μ g/ $\sqrt{\text{Hz}}$	3.0 μ g/ $\sqrt{\text{Hz}}$
100 Hz	3.0 μ g/ $\sqrt{\text{Hz}}$	3.0 μ g/ $\sqrt{\text{Hz}}$	2.0 μ g/ $\sqrt{\text{Hz}}$
1,000 Hz	3.0 μ g/ $\sqrt{\text{Hz}}$	3.0 μ g/ $\sqrt{\text{Hz}}$	2.0 μ g/ $\sqrt{\text{Hz}}$
Output impedance, max	100 Ω	200 Ω	300 Ω
Bias output voltage	13 VDC		
Grounding	case isolated, internally shielded		
Temperature range	-50° to +120°C		
Vibration limit	500 g peak		
Shock limit	5,000 g peak		
Electromagnetic sensitivity, equiv. g, max	70 μ g/gauss		
Sealing	hermetic		
Base strain sensitivity, max	0.0002 g/ μ strain		
Sensing element design	PZT, shear		
Weight	90 grams		
Case material	316L stainless steel		
Mounting	1/4-28 UNF tapped hole		
Output connector	2 pin, MIL-C-5015 style		
Mating connector	R6 type		
Recommended cabling	J10 / J9T2A, <100 ft.		

Accessories supplied: SF6 mounting stud (metric mounting available); calibration data (level 2)



Key features

- Available in 100, 250 or 500 mV/g sensitivity
- Extended low frequency response
- Manufactured in ISO 9001 facility



Connections	
Function	Connector pin
power/signal	A
common	B
ground	shell



Note: Due to continuous process improvement, specifications are subject to change without notice. This document is cleared for public release.

X-ON Electronics

Largest Supplier of Electrical and Electronic Components

Click to view similar products for [Accelerometers](#) category:

Click to view products by [Amphenol](#) manufacturer:

Other Similar products are found below :

[AD22372Z-RL7](#) [ADXL313WACPZ-RL](#) [805M1-0050-01](#) [MXC6655XA](#) [MMA7455LT](#) [805M1-0200-01](#) [810M1-0025X](#) [3038-0050](#) [832M1-0050](#) [805-0050](#) [AD22301](#) [ADXL354BEZ](#) [SCA620-EF8H1A-1](#) [MC3413](#) [MXC6244AU](#) [3038-0500](#) [ACH-01-04/10](#) [4692](#) [735T](#) [787-500](#) [787AM8](#) [793-6](#) [793L](#) [997-M4](#) [HV101](#) [HV102](#) [HV200](#) [PC420AR-10](#) [PC420VP-50](#) [PC420VR-10](#) [786A](#) [786A-IS](#) [787A](#) [787A-IS](#) [HT786A](#) [HT787A](#) [PC420VP-10](#) [ADCMXL1021-1BMLZ](#) [ADIS16003CCCZ](#) [ADIS16228CMLZ](#) [ADXL700WBRWZ-RL](#) [ADXL103CE-REEL](#) [ADXL203CE-REEL](#) [ADXL206HDZ](#) [ADXL213AE](#) [ADXL213AE-REEL](#) [ADXL288WBRDZ-RL](#) [ADXL295WBRDZ-RL](#) [ADXL326BCPZ-RL7](#) [ADXL337BCPZ-RL7](#)