

High temperature accelerometer

793-6

SPECIFICATIONS

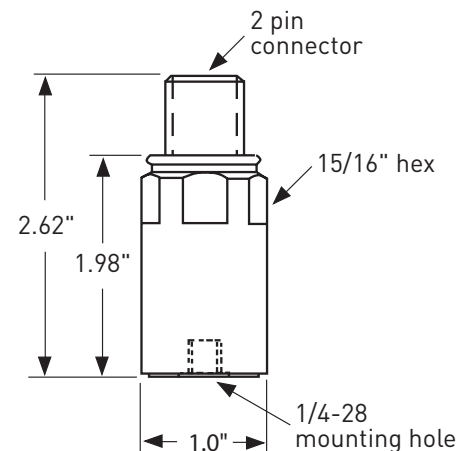
Sensitivity, $\pm 10\%$, 25°C		100 mV/g	
Acceleration range		50 g peak	
Amplitude nonlinearity		1%	
Frequency response:			
	$\pm 5\%$	4 - 5,000 Hz	
	$\pm 10\%$	3 - 7,000 Hz	
	± 3 dB	1 - 12,000 Hz	
Resonance frequency		25 kHz	
Transverse sensitivity, max		5% of axial	
Temperature response:			
	-50°C	-5%	
	0°C	+2%	
	+120°C	-5%	
Power requirement:			
Voltage source		18 - 30 VDC	
Current regulating diode		2 - 4 mA	
Electrical noise, equiv. g:			
Broadband		2.5 Hz to 25 kHz	0.03 mg
at 25°C:			
Spectral	10 Hz		10 $\mu\text{g}/\sqrt{\text{Hz}}$
	100 Hz		3 $\mu\text{g}/\sqrt{\text{Hz}}$
	1,000 Hz		2 $\mu\text{g}/\sqrt{\text{Hz}}$
at 150°C:			
			30 $\mu\text{g}/\sqrt{\text{Hz}}$
			10 $\mu\text{g}/\sqrt{\text{Hz}}$
			6 $\mu\text{g}/\sqrt{\text{Hz}}$
Output impedance, max		100 Ω	
Bias output voltage:			
	25°C	12 VDC	
	150°C	11 VDC	
Grounding		case isolated, internally shielded	
Temperature range (mounting surface)		-50° to +150°C	
Vibration limit		500 g peak	
Shock limit		2,500 g peak	
Electromagnetic sensitivity, equiv. g		15 $\mu\text{g}/\text{gauss}$	
Sealing		hermetic	
Base strain sensitivity		0.0005 g/ μstrain	
Sensing element design		PZT, compression	
Weight		135 grams	
Case material		316L stainless steel	
Mounting		1/4-28 tapped hole	
Output connector		2 pin, MIL-C-5015 style	
Mating connector		R6 type	
Recommended cabling		J9T2A	

Accessories supplied: SF6 mounting stud; calibration data (level 3)



Key features

- 150°C operation
- Manufactured in ISO 9001 facility



Connections	
Function	Connector pin / cable conductor
power/signal	A / white
common	B / black
ground	shell / shield



Note: Due to continuous process improvement, specifications are subject to change without notice. This document is cleared for public release.

X-ON Electronics

Largest Supplier of Electrical and Electronic Components

Click to view similar products for [Accelerometers](#) category:

Click to view products by [Amphenol](#) manufacturer:

Other Similar products are found below :

[AD22372Z-RL7](#) [ADXL313WACPZ-RL](#) [805M1-0050-01](#) [MXC6655XA](#) [MMA7455LT](#) [805M1-0200-01](#) [810M1-0025X](#) [3038-0050](#) [832M1-0050](#) [805-0050](#) [AD22301](#) [ADXL354BEZ](#) [SCA620-EF8H1A-1](#) [MC3413](#) [MXC6244AU](#) [3038-0500](#) [ACH-01-04/10](#) [4692](#) [735T](#) [787-500](#) [787AM8](#) [793-6](#) [793L](#) [997-M4](#) [HV101](#) [HV102](#) [HV200](#) [PC420AR-10](#) [PC420VP-50](#) [PC420VR-10](#) [786A](#) [786A-IS](#) [787A](#) [787A-IS](#) [HT786A](#) [HT787A](#) [PC420VP-10](#) [ADCMXL1021-1BMLZ](#) [ADIS16003CCCZ](#) [ADIS16228CMLZ](#) [ADXL700WBRWZ-RL](#) [ADXL103CE-REEL](#) [ADXL203CE-REEL](#) [ADXL206HDZ](#) [ADXL213AE](#) [ADXL213AE-REEL](#) [ADXL288WBRDZ-RL](#) [ADXL295WBRDZ-RL](#) [ADXL326BCPZ-RL7](#) [ADXL337BCPZ-RL7](#)