

Low-frequency accelerometer

793L

SPECIFICATIONS

Sensitivity, $\pm 5\%$, 25°C		500 mV/g
Acceleration range		10 g peak
Amplitude nonlinearity		1%
Frequency response:	$\pm 5\%$	0.6 - 700 Hz
	$\pm 10\%$	0.4 - 1,000 Hz
	± 3 dB	0.2 - 2,300 Hz
Resonance frequency		15 kHz
Transverse sensitivity, max		5% of axial
Sensitivity variation with temperature:		
	-50°C	-10%
	+120°C	+10%
Power requirement:		
Voltage source		18 - 30 VDC
Current regulating diode		2 - 10 mA
Electrical noise, equiv. g:		
Broadband	2.5 Hz to 25 kHz	8.0 μ g
Spectral	2 Hz	2.0 μ g/ $\sqrt{\text{Hz}}$
	10 Hz	0.4 μ g/ $\sqrt{\text{Hz}}$
	100 Hz	0.2 μ g/ $\sqrt{\text{Hz}}$
Output impedance, max		100 Ω
Bias output voltage		10 VDC
Grounding		case isolated, internally shielded
Temperature range		-50° to +120°C
Vibration limit		250 g peak
Shock limit		5,000 g peak
Electromagnetic sensitivity, equiv. g		20 μ g/gauss
Sealing		hermetic
Base strain sensitivity, max		0.0001 g/ μ strain
Sensing element design		PZT, compression
Weight		142 grams
Case material		316L stainless steel
Mounting		1/4-28 tapped hole
Output connector		2 pin, MIL-C-5015
Mating connector		R6 type
Recommended cabling		J9T2A

Accessories supplied: SF6 mounting stud; calibration data (level 2)

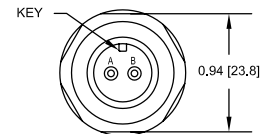
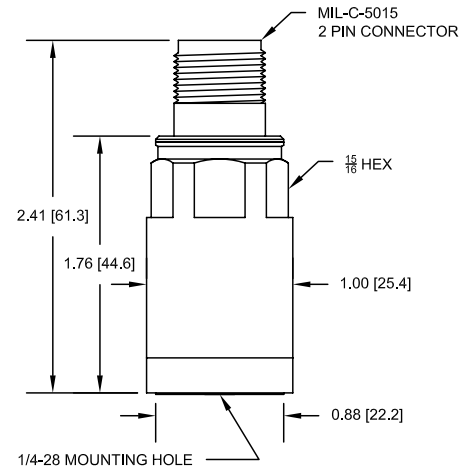
Certifications

All 793L models	793LE	793L-33
	Class I, II, III, T4 Div 1 Groups A, B, C, D, E, F, G Div 2 Groups A, B, C, D, F, G	Class I, Div 1 Groups A, B, C, D



Key features

- Certified versions available for use in hazardous areas (models 793LE and 793L-33)
- Manufactured in ISO 9001 facility



Connections	
Function	Connector pin
power/signal	A
common	B
ground	shell

Note: Due to continuous process improvement, specifications are subject to change without notice. This document is cleared for public release.

X-ON Electronics

Largest Supplier of Electrical and Electronic Components

Click to view similar products for [Accelerometers](#) category:

Click to view products by [Amphenol](#) manufacturer:

Other Similar products are found below :

[AD22372Z-RL7](#) [ADXL313WACPZ-RL](#) [805M1-0050-01](#) [MXC6655XA](#) [MMA7455LT](#) [805M1-0200-01](#) [810M1-0025X](#) [3038-0050](#) [832M1-0050](#) [805-0050](#) [AD22301](#) [ADXL354BEZ](#) [SCA620-EF8H1A-1](#) [MC3413](#) [MXC6244AU](#) [3038-0500](#) [ACH-01-04/10](#) [4692](#) [735T](#) [787-500](#) [787AM8](#) [793-6](#) [793L](#) [997-M4](#) [HV101](#) [HV102](#) [HV200](#) [PC420AR-10](#) [PC420VP-50](#) [PC420VR-10](#) [786A](#) [786A-IS](#) [787A](#) [787A-IS](#) [HT786A](#) [HT787A](#) [PC420VP-10](#) [ADCMXL1021-1BMLZ](#) [ADIS16003CCCZ](#) [ADIS16228CMLZ](#) [ADXL700WBRWZ-RL](#) [ADXL103CE-REEL](#) [ADXL203CE-REEL](#) [ADXL206HDZ](#) [ADXL213AE](#) [ADXL213AE-REEL](#) [ADXL288WBRDZ-RL](#) [ADXL295WBRDZ-RL](#) [ADXL326BCPZ-RL7](#) [ADXL337BCPZ-RL7](#)